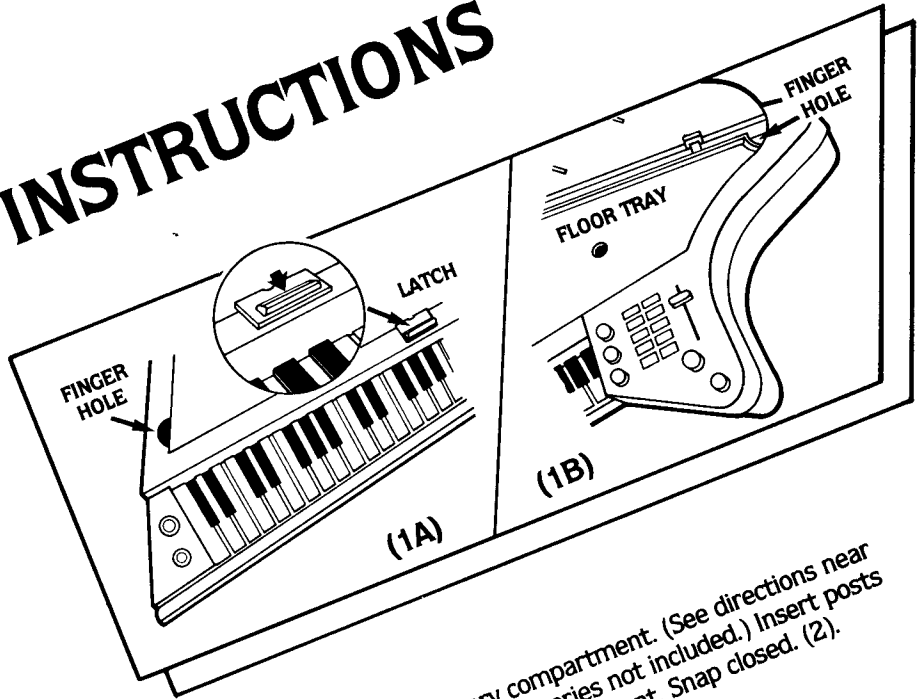


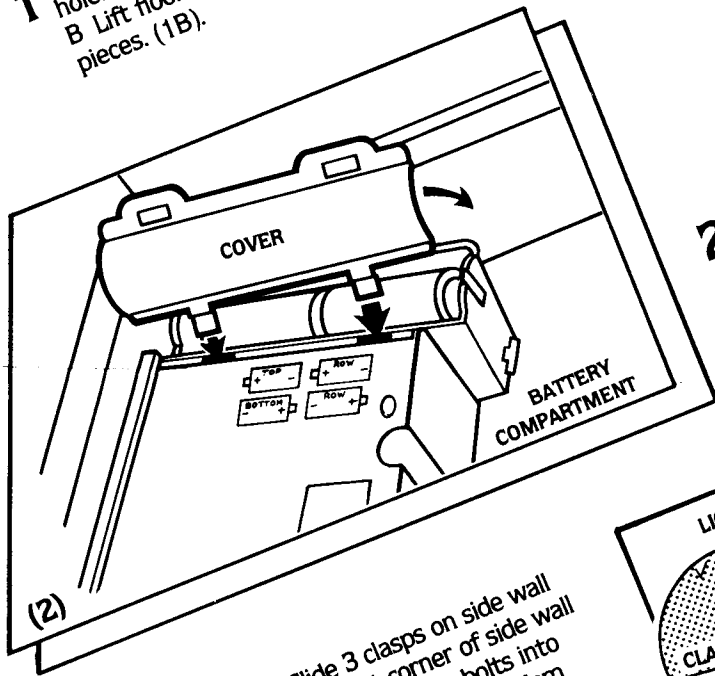


# INSTRUCTIONS

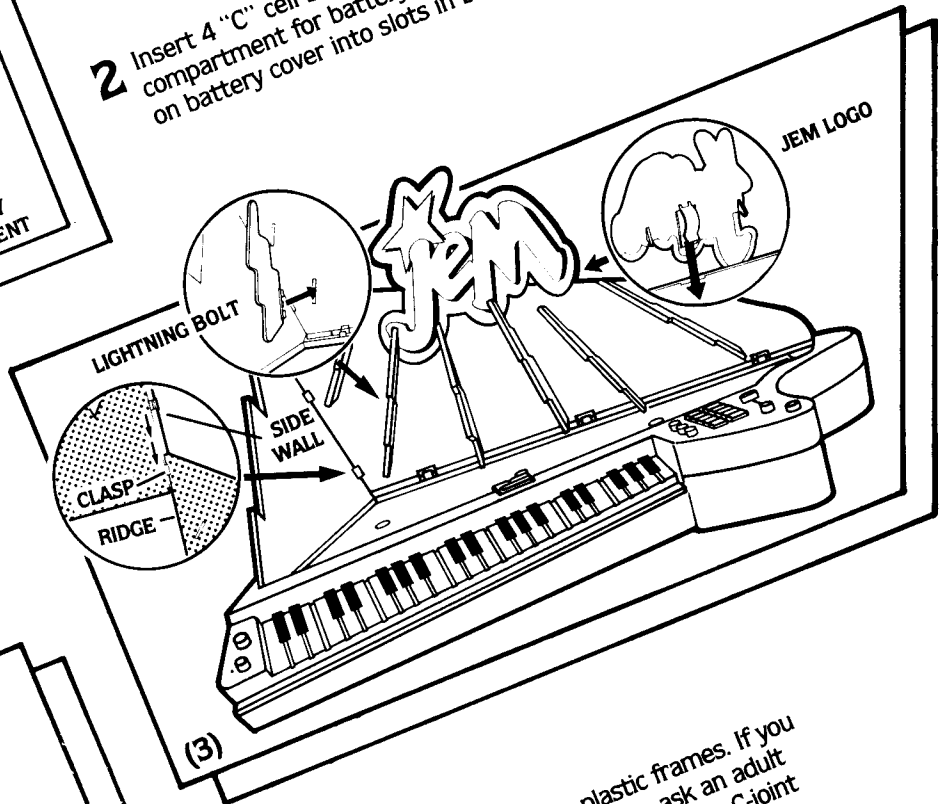
- 1** A Press latch on Star Stage case and lift lid at finger hole. (1A). Stand lid to form backdrop.  
 B Lift floor tray at finger hole and remove all play pieces. (1B).



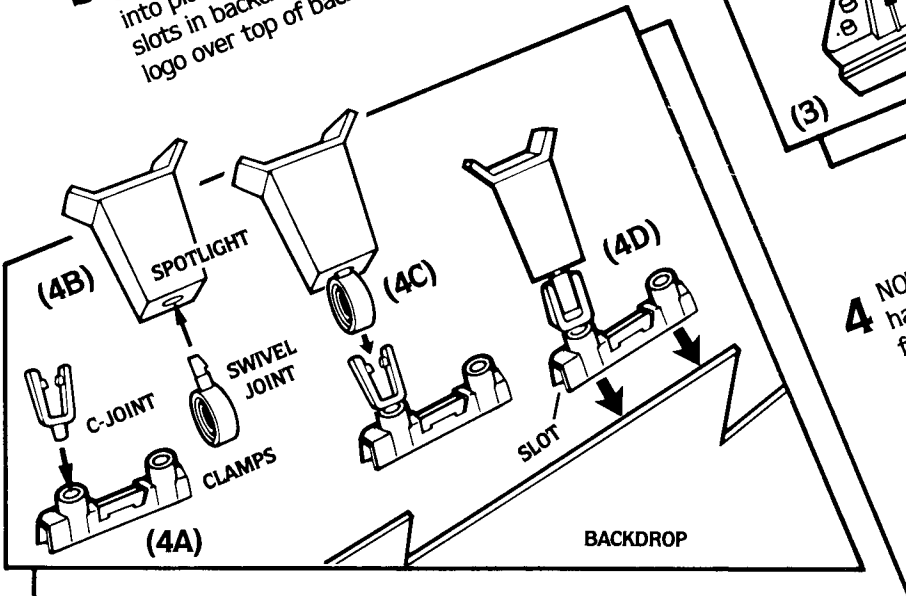
- 2** Insert 4 "C" cell batteries into battery compartment. (See directions near compartment for battery placement. Batteries not included.) Insert posts on battery cover into slots in battery compartment. Snap closed. (2).

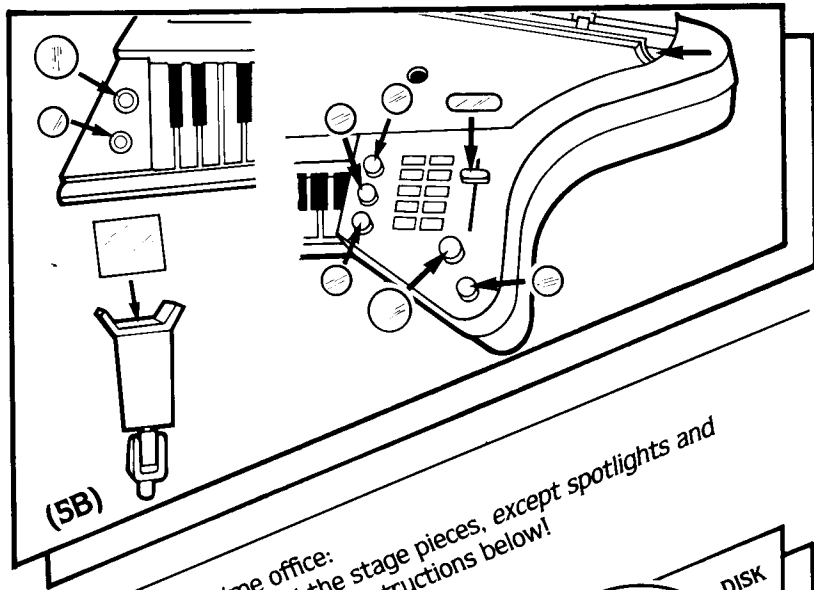
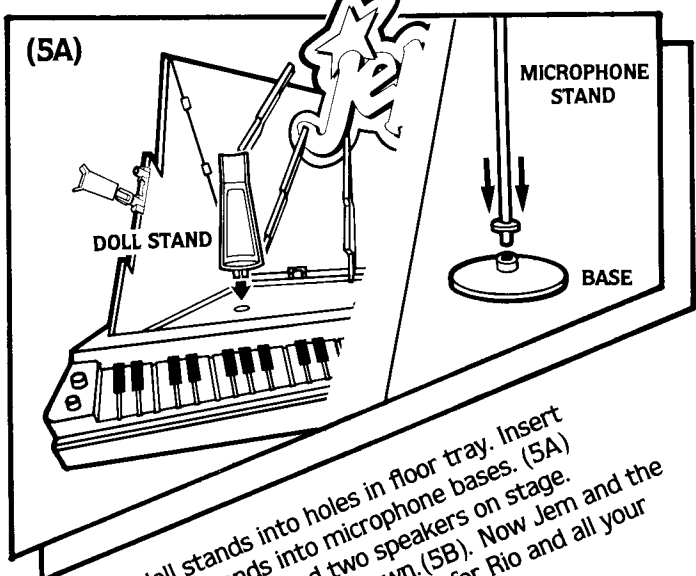


- 3** Replace floor tray. Slide 3 clasps on side wall over ridge on backdrop. Fit corner of side wall into place. Snap tabs on lightning bolts into slots in backdrop. Slide tab on back of Jem logo over top of backdrop. (3)



- 4** NOTE: Remove all pieces from plastic frames. If you have difficulty assembling spotlights, ask an adult for assistance. With twisting motion, press C-joint posts into holes in spotlight frames. (4A) Snap swivel joint posts into holes in spotlights. (4B) Snap C-joints into spotlight frames. (4C) Press slots in spotlight frames over tops of backdrop and side wall as shown. (4D)



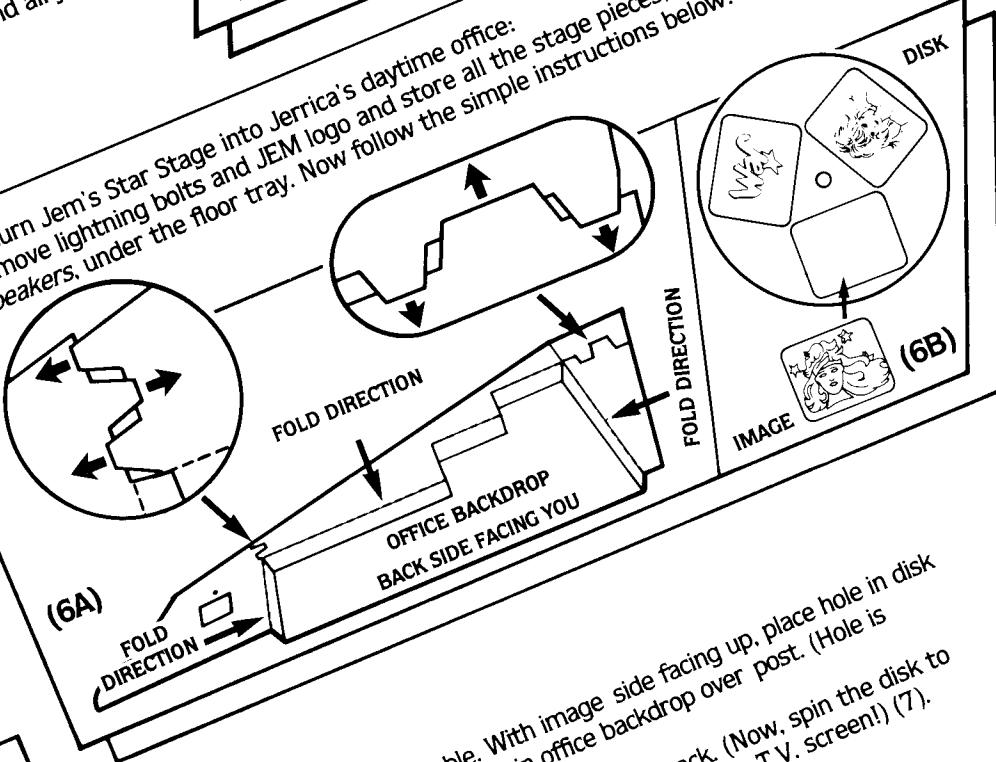


**5** Snap 3 doll stands into holes in floor tray. Insert microphone stands into microphone bases. (5A) Place microphones and two speakers on stage. Peel and apply labels as shown. (5B). Now Jem and the Holograms are ready to perform for Rio and all your friends!

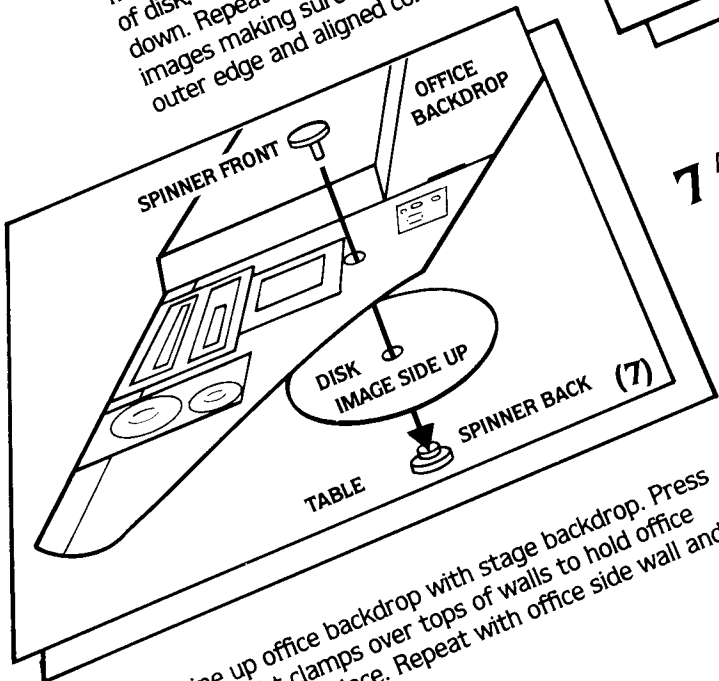
## JERRICA'S OFFICE

To turn Jem's Star Stage into Jerrica's daytime office: Remove lightning bolts and JEM logo and store all the stage pieces, except spotlights and speakers, under the floor tray. Now follow the simple instructions below!

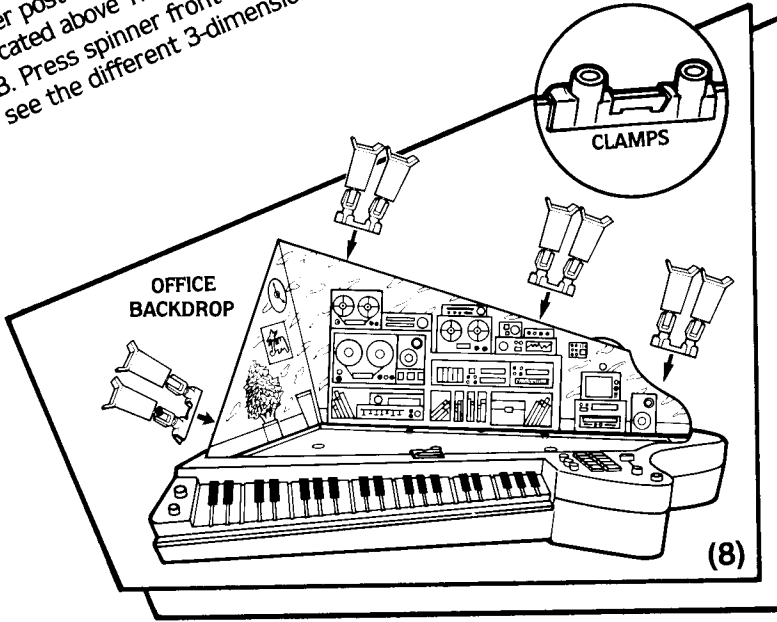
**6** A. Carefully separate office backdrop, office side wall and disk from cardboard insert. Fold backdrop along perforated lines as shown. (6A).  
 B. Peel backing off one TV image. Making sure image is facing outer edge of disk, align with two remaining images making sure they are facing outer edge and aligned correctly. (6B).

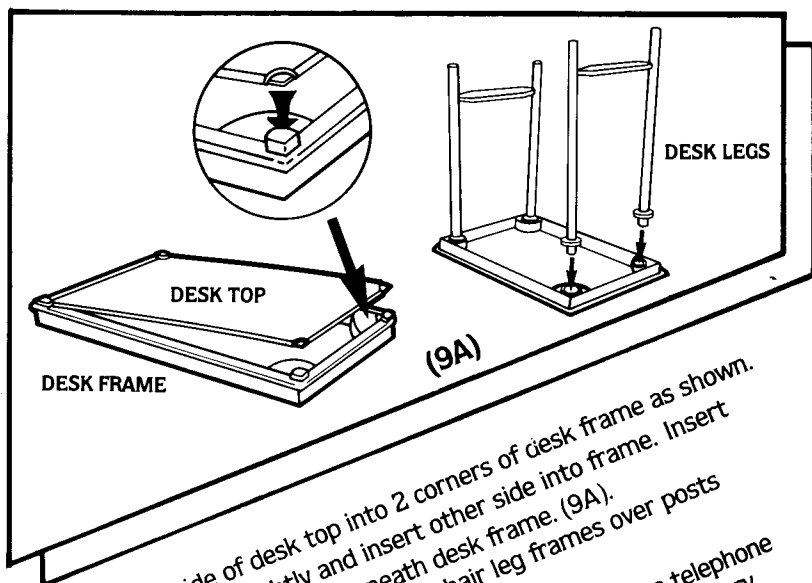


**7** A. Place spinner back on table. With image side facing up, place hole in disk over post on spinner. Place hole in office backdrop over post. (Hole is located above T.V. screen cut out.)  
 B. Press spinner front over post on spinner back. (Now, spin the disk to see the different 3-dimensional images on Jerrica's T.V. screen!) (7).



**8** Line up office backdrop with stage backdrop. Press spotlight clamps over tops of walls to hold office backdrop in place. Repeat with office side wall and spotlight clamp. (8).



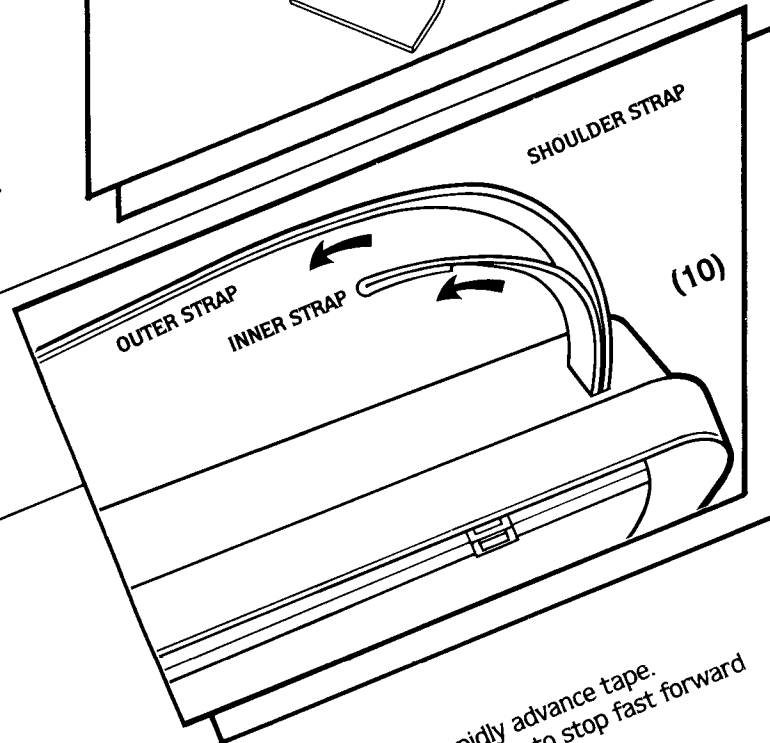


- 9** A. Fit one side of desk top into 2 corners of desk frame as shown. Bend desk top slightly and insert other side into frame. Insert desk legs into holes underneath desk frame. (9A).  
 B. Snap clasps on left and right chair leg frames over posts underneath seat. (9B).

- 10** Place desk, chair, file cabinet and speakers in office. Place telephone and cup on desk. Seat Jerrica at her desk because she has a very busy day ahead!

## YOUR JEM™ BOOM BOX!

- 11** Use the shoulder strap to carry the Star Stage just like a "boom box" or as a carrying case to store Jem™ and her accessories! To adjust the strap: Pull outer strap out to the side to make strap longer. Pull inner strap along case for a shorter strap. (10).



- 14 FAST FORWARD**

- A. Push button 'halfway' to rapidly advance tape.  
 B. Press button slightly and release to stop fast forward and play tape.

- 15 VOLUME**

- Turn Volume knob UP to play louder, DOWN to play softer.

- 16 STOP/EJECT:**

- Press button all the way to eject tape from player.  
 Note: When stopping tape, always remove completely from player to extend battery life.

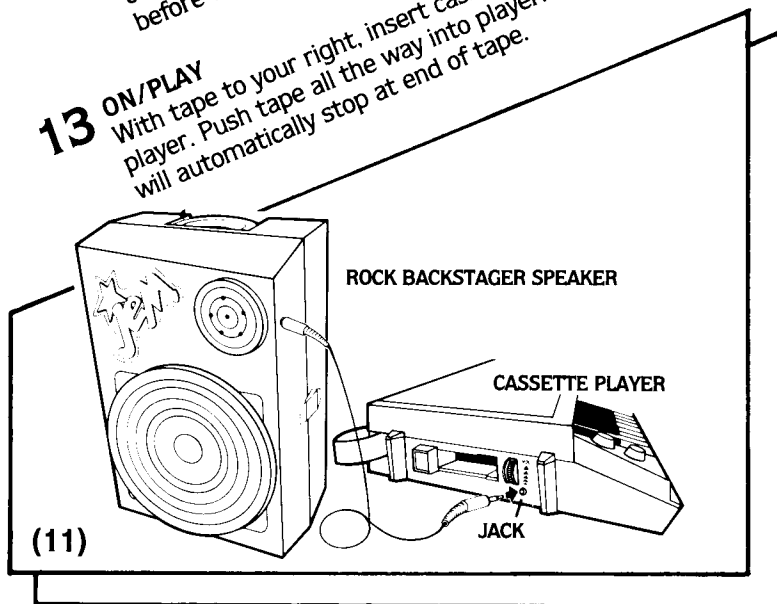
- 17** To hook the Star Stage cassette player up to the Jem Rock Backstager speaker:  
 Plug one end of patch cord (included with the Jem Rock Backstager) into auxiliary jack located on side of cassette player. Plug other end into jack on side of speaker. (Either end of patch cord can be plugged into either jack.) (11)

## CASSETTE PLAYER FEATURES AND CONTROLS

- 12** Play Jem's original recordings as well as other standard pre-recorded audio tapes on the Jem Star Stage cassette player! NOTE: Please read instructions carefully before using any electronic accessories.

- 13 ON/PLAY**

- With tape to your right, insert cassette into cassette player. Push tape all the way into player. Note: Player will automatically stop at end of tape.





## 90 DAY LIMITED WARRANTY ON JEM™ STAR STAGE™ WITH CASSETTE TAPE PLAYER



The JEM STAR STAGE is warranted by HASBRO, INC. to the original purchaser for a period of 90 days from the original purchase date, under normal use and service, against defective workmanship and materials (excluding batteries).

This warranty is void if the JEM STAR STAGE has been damaged by accident, neglect, misuse, abuse, improper service, or other causes not arising out of defects on workmanship or materials.

HASBRO, INC. will not be liable for loss of use of the JEM STAR STAGE or other incidental or consequential costs or damages incurred by the purchaser. Some states do not allow the exclusion or limitation of incidental or consequential damages, so the above may not apply to you.

During the 90 day warranty period, if the unit is found to be defective due to workmanship or materials, the JEM STAR STAGE will be repaired or replaced (at the option of HASBRO, INC.) without charge to the original purchaser when returned with authorization from the Hasbro Consumer Service Department, Proof of Purchase Date, shipping prepaid to the address provided by Hasbro Consumer Service.

This warranty gives you specific legal rights and you may also have other rights which vary from state to state.



### POST WARRANTY REPAIR POLICY

After the 90 day warranty period has expired, HASBRO, INC. shall, for a period of one (1) year from the date of purchase, either repair or replace your JEM STAR STAGE on the condition that you obtain authorization from the Hasbro Consumer Service Department, shipping the unit prepaid to the address provided along with proof of purchase date and your check or money order in the amount of \$15. HASBRO, INC. shall not be obligated to perform this service if the JEM STAR STAGE has been abused, misused, improperly serviced, or damaged due to accident.

### GENERAL INSTRUCTIONS

**IMPORTANT:** Before returning the JEM STAR STAGE for repair, we recommend that you read the instructions carefully and test your product with fresh, strong batteries.

### OBTAINING SHIPPING AUTHORIZATION

Please call the Toll-Free Jem Star Stage Consumer Service number listed below, so that we can provide you with instructions for obtaining service on your JEM STAR STAGE unit. Ask for the JEM STAR STAGE Consumer Service Department.

**1-800-237-0063**

Do not return the unit to any address without authorization from HASBRO, INC. Consumer Service Department.

### POSTAGE AND HANDLING CHARGES

If the JEM STAR STAGE is returned to us for warranty service, you must prepay postage to us. Be sure to pack the unit carefully and insure the parcel for the full retail value. (Do not return batteries with the unit). We will pay the cost of returning the repaired or replaced unit to you.