

# OPERATION<sup>®</sup>

## Instructions

### AGES 6+ 1 or More Players

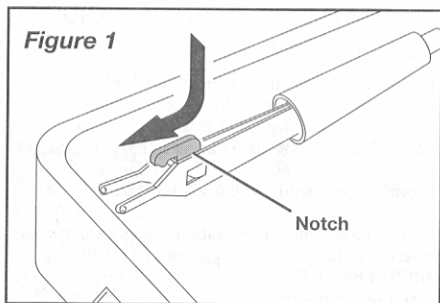
**Object:** Collect the most money by performing successful “operations.”

**Contents:** Gameboard with “Cavity Sam” patient and tweezers, 26 cards, 12 “Funatomy” parts, play money, rubber band.

**The First Time You Play**  
Carefully twist the 12 Funatomy parts off the runner. Discard the waste.

Remove the tweezers by pressing down on the front and gently sliding them out from under the notch, as shown in Figure 1.

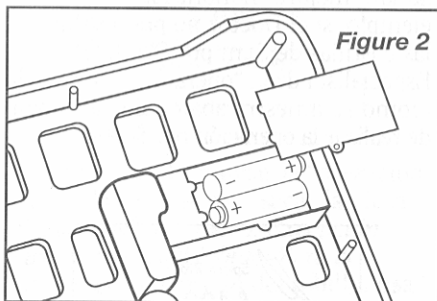
Remove the two extra cards from the deck, and discard them.



### Insert and Test Batteries

Loosen the screw on the battery compartment, and remove the door. Insert 2 “AA” size batteries (we recommend alkaline), making sure to

match the + and – symbols with the markings in the plastic. See Figure 2. Then replace the door and tighten the screw.



To test the batteries, touch the end of the tweezers to the metal edge of any cavity in the gameboard. Cavity Sam’s nose should light up and you should hear the buzzer sound. If not, the batteries may be weak or improperly installed.

### CAUTION: TO AVOID BATTERY LEAKAGE

- Be sure to insert the batteries correctly and always follow the game and battery manufacturers’ instructions.
- Do not mix old and new batteries, or alkaline, standard (carbon-zinc), or rechargeable (nickel-cadmium) batteries.
- Always remove weak or dead batteries from the product.

## Game Setup

1. Drop the rubber band into the ANKLEBONE CONNECTED TO THE KNEE BONE gameboard cavity. Make sure no part of it shows above the cavity.

2. Separate the cards into 2 decks: DOCTOR cards and SPECIALIST cards.

Shuffle the SPECIALIST cards and deal them out, one at a time, so that each player gets an equal number. Place any extra SPECIALIST cards out of play.

Shuffle the DOCTOR cards and place them in a facedown deck within reach of all players.

3. Choose a player to be the banker, who will pay players for successful "operations."

4. Drop each Funatomy part *flat* into its matching gameboard cavity. For example, place the heart in the BROKEN HEART cavity, and the wrench in the WRENCHED ANKLE cavity. *Make sure all Funatomy parts lie flat inside their cavities.*

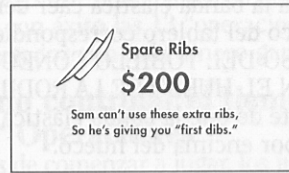
## Game Play

Choose a player to go first. Play then passes to the left.

### On Your Turn

1. Draw the top DOCTOR card from the deck and read it aloud. The card tells you which Funatomy part to "operate" on, and what your fee will be if you're successful. For example, the rib

"operation" card (shown below) asks you to remove the "spare ribs" for a fee of \$200.



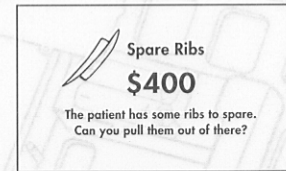
2. Now try to perform the "operation" by using the tweezers to remove the Funatomy part from the cavity. *Anklebone Exception:* For the Anklebone "operation," use the tweezers to loop one end of the rubber band around one post in the cavity, and the other end around the opposite post.

Careful! The key to a successful "operation" is to remove the part *without touching the metal edge of the cavity!* If you touch the metal edge, you'll set off the buzzer and make Sam's nose light up!

•**A Successful "Operation":** If you perform the "operation" without setting off the buzzer and making Sam's nose light up, it's a success! Take your fee from the banker. Keep the Funatomy part in front of you and place the DOCTOR card out of play. Your turn is over.

•**An Unsuccessful "Operation":** If you set off the buzzer and make Sam's nose light up before completing the "operation," it's *not* a success. Your turn is over. Replace the part flat in the cavity and keep the DOCTOR card in front of you. Now the Specialist gets a try!

**SPECIALIST Cards:** All players (including you) look at their SPECIALIST cards. The player with the SPECIALIST card for that "operation" now gets to try the same "operation" for a higher fee! For example, if the Doctor failed to remove Sam's ribs for \$200, the Specialist for the rib "operation" (shown below) now tries it for \$400!



If the SPECIALIST card for that "operation" is out of play, place the DOCTOR card facedown at the bottom of the deck. Now the player to the left of the Doctor takes his or her turn.

•If the Specialist is successful, he or she takes the fee from the banker. Both the DOCTOR card and the SPECIALIST card for that "operation" are placed out of play. Now the player to the left of the Doctor takes his or her turn.

•If the Specialist is unsuccessful, place the DOCTOR card facedown at the bottom of the deck. The Specialist keeps the SPECIALIST card. Now the player to the left of the Doctor takes his or her turn.

## How to Win

The game ends when all 13 "operations" have been successfully performed. The player with the most money wins!

## Timing Your "Operations"

Before a game starts, players may agree to set a time limit (perhaps one minute) for each "operation." One player (other than the Doctor or Specialist) keeps track of the time. In this game, an "operation" is successful only if a player completes it before time runs out!

## Solo Play

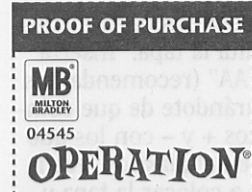
Are you the only "Doctor" in the house? Then practice your skills on the patient! Try performing all 13 "operations" successfully, in any order. If an "operation" is unsuccessful, start all over again!

## Storing Your Game

Done playing? Anchor the tweezers by pressing down on the front and gently sliding them under the notch. Store the game parts underneath the gameboard.

We will be happy to hear your questions or comments about this game. Write to: Hasbro Games, Consumer Affairs Dept., P.O. Box 200, Pawtucket, RI 02862. Tel: 888-836-7025 (toll-free). Canadian consumers please write to: Hasbro Canada Corporation, 2350 de la Province, Longueuil, QC Canada J4G 1G2.

OPERATION is a registered trademark, licensed for use by Hasbro. ©2004 Fleet Capital Corporation. All Rights Reserved. The HASBRO and MILTON BRADLEY names and logos are ® and © 2004 Hasbro. All Rights Reserved. ® denotes Reg. US Pat. & TM Office.



HASBRO.COM  
FOR NEW PRODUCTS AND OFFERS