

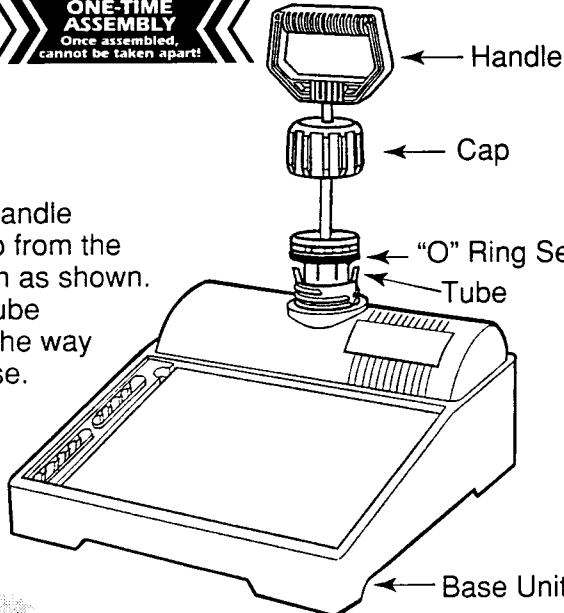
3D COLORBLASTER®

Drawing System

ONE-TIME ASSEMBLY
Once assembled, cannot be taken apart!

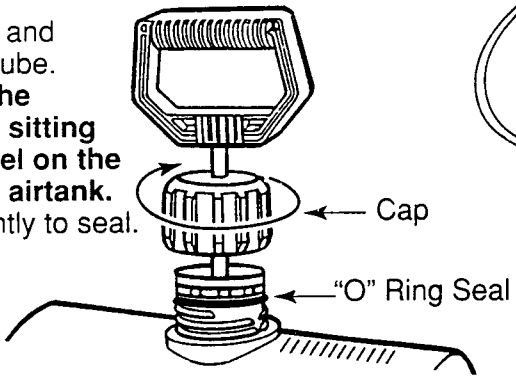
1

Raise the handle and the cap from the tube section as shown. Insert the tube section all the way into the base.



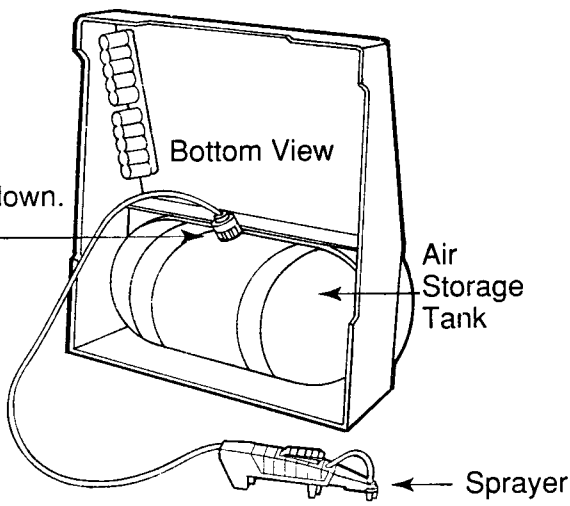
2

Lower the handle and the cap onto the tube. Make sure that the "O" Ring Seal is sitting properly and level on the inside rim of the airtank. Screw cap on tightly to seal.



3

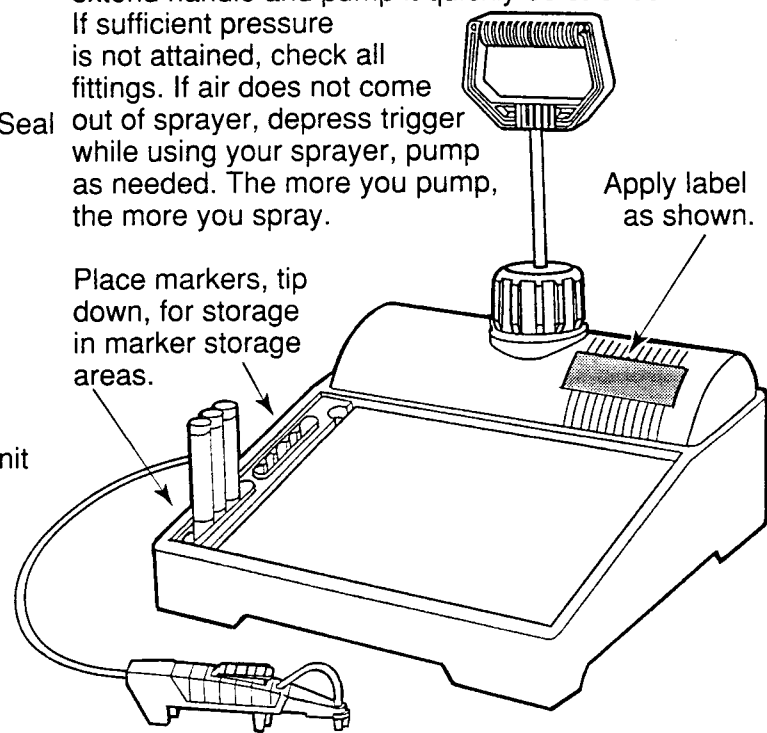
Turn unit upside down. Screw hose on tightly to air storage tank.



4

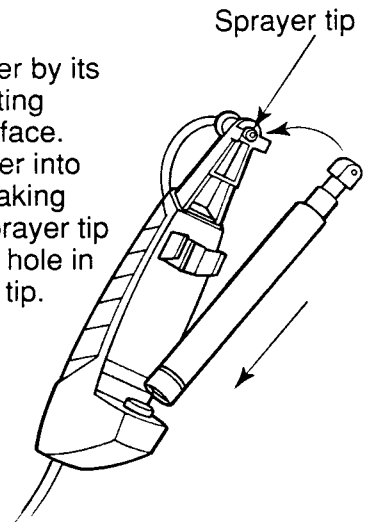
Now you are ready to start. Fully extend handle and pump it quickly 50 strokes. If sufficient pressure is not attained, check all fittings. If air does not come out of sprayer, depress trigger while using your sprayer, pump as needed. The more you pump, the more you spray.

Place markers, tip down, for storage in marker storage areas.



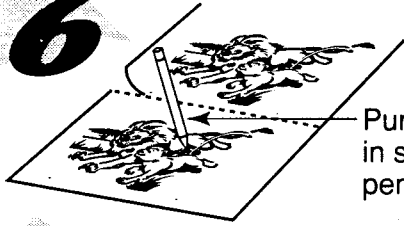
5

Hold sprayer by its sides, pointing away from face. Snap marker into sprayer, making sure the sprayer tip fits into the hole in the marker tip.



Carefully separate stencil sheets.

6



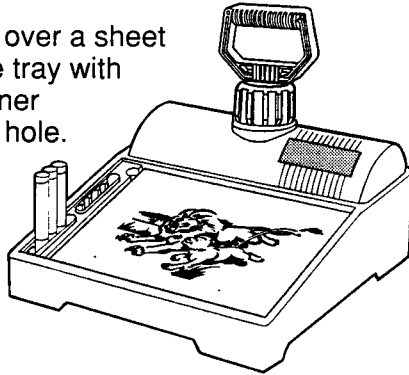
Punch out shapes in stencils with a pencil.

7

Lay the stencil over a sheet of paper, in the tray with the cut out corner over the finger hole.

NOTE:

Super graphics stencils do not have notches.

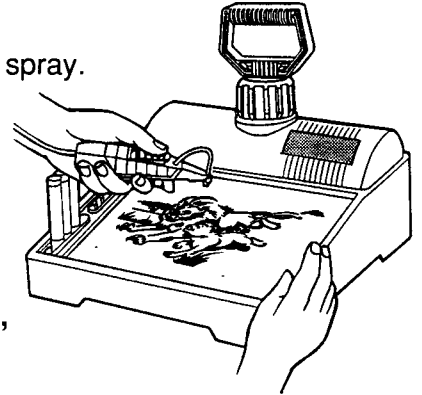


8

Hold sprayer away from stencil 3 to 4 inches to create airbrush effect. Concentrate spray into only the cut out area of the stencil. When spray "starts to spatter" pump tank 40-50 more strokes. Keep caps on pens when they are not in use.

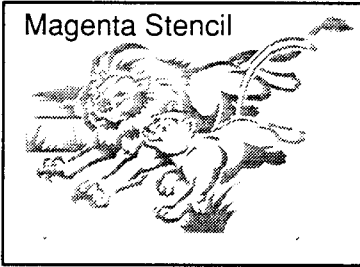
Press trigger down to spray.

NOTE: If pen doesn't work, rotate pen 1/2 turn to other side. If ink becomes lighter, check to make sure tank is pumped fully. **The more you pump, the more you spray.**

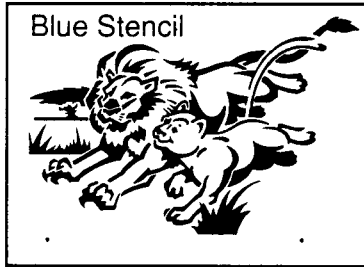


Now you are ready to create 3•D designs... choose a stencil set and ...

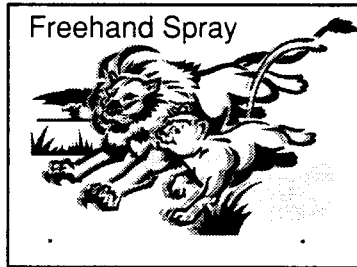
Magenta Stencil



Blue Stencil



Freehand Spray



Spray magenta on stencil marked "Magenta Stencil". Remove stencil..

If necessary, now pump again. Spray blue on stencil marked "Blue Stencil". Remove stencil.

If necessary, pump again. Freehand spray yellow where desired. Be careful not to spray over red and blue areas to avoid affecting the 3•D.

View the finished design with your special 3•D glasses.

Or make conventional Colorblaster designs with regular Colorblaster stencils.

TROUBLE SHOOTING TIPS

PROBLEM

- Tank will not pressurize.
- A hissing sound is heard.
- Air does not come out of sprayer.
- Pen stops working, but air still comes out of sprayer.
- Pens foaming.
- Ink becomes light or begins to fade.

SOLUTION

- Check to be sure the cap is on tight, with "O" Ring in place and hose connected to sprayer.
- Check for air leaks and tighten all connections.
- Depress trigger while pumping until air flows. Pump tank 50 strokes and try again.
- Rotate pen 1/2 turn to other side. Pump again and retry pen. If pen is dried up, replace pen. Keep cap on pen when not in use. Let pen sit overnight and try it again making sure pen is properly aligned and tank is pumped fully, before discarding pen.
- Make sure pen is properly aligned to sprayer.
- Check to make sure tank is pumped fully; if not, 40 more strokes. make sure pen is properly aligned.

WASHING INSTRUCTIONS

DO NOT USE HOT WATER OR CLEANING SOLUTIONS to clean COLORBLASTER ink from carpets or fabrics. For best results, blot excess, scrub carpet with stiff brush, mild detergent and COLD water. Repeat, if necessary. Machine or hand wash fabrics in detergent and COLD water. Line dry. Repeat, if necessary.

QUESTIONS CALL 1-800-327-8264.



© Kenner 1994.
a division of Tonka Corporation.
Cincinnati, Ohio 45202