

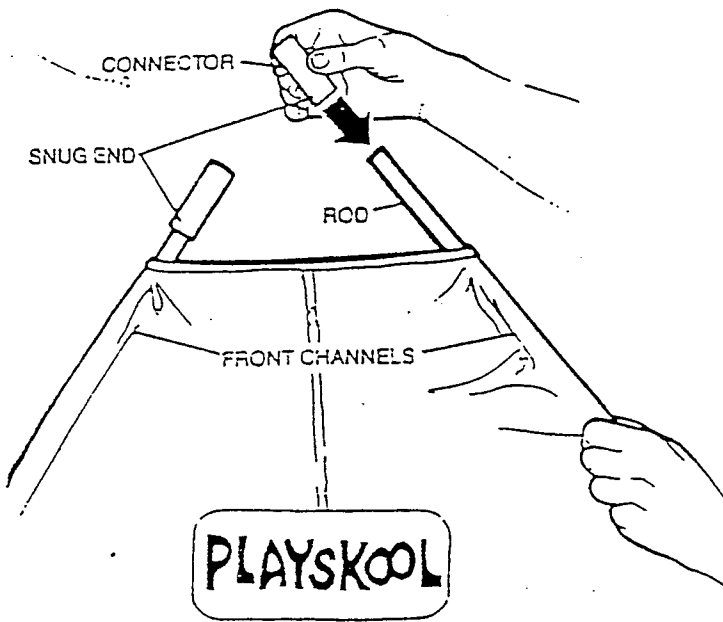


ADVENTURE TENT™

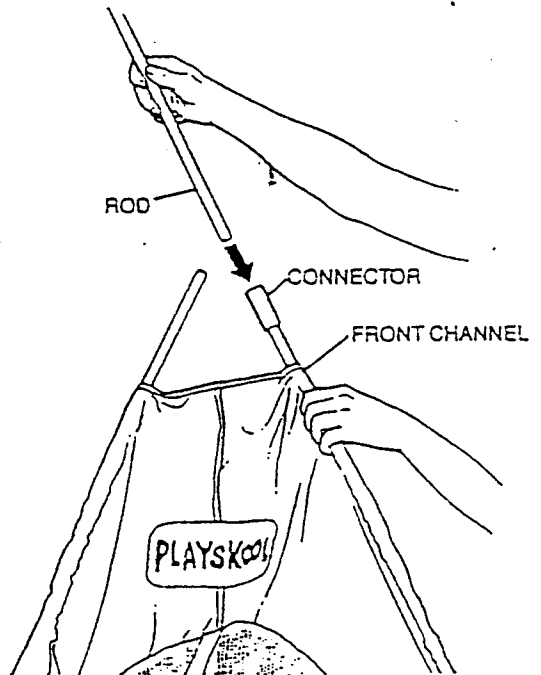
INCLUDES:

- TENT
- PERISCOPE TOP
- PERISCOPE BOTTOM
- DOME CAP
- 8 RODS
- 6 CONNECTORS

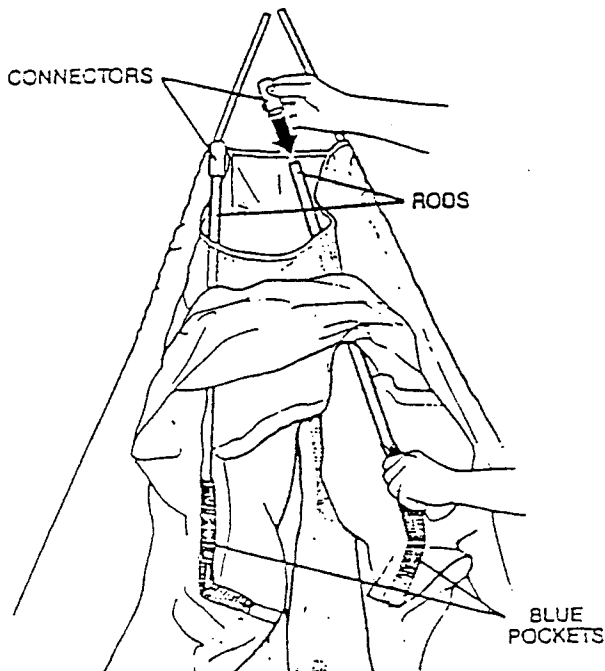
Adult supervision required. Before starting, remove all pieces from plastic bags. Assembly is easier if one person holds the tent while the other person completes the assembly.



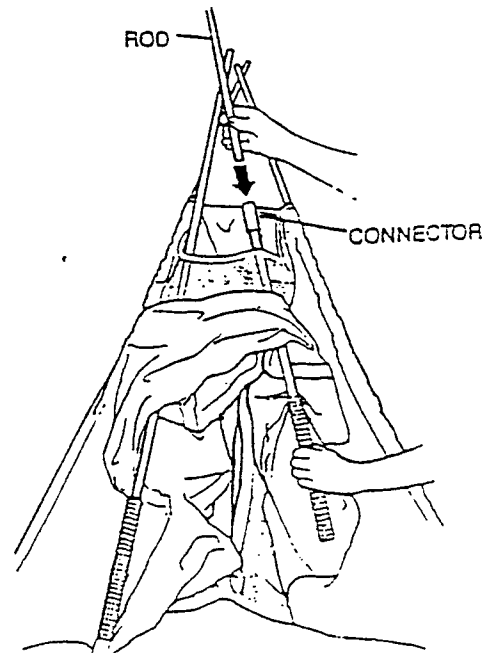
1. Fit the snug end of one connector over the end of each rod. Slide one rod into each of the two front channels. (ILL. 1)



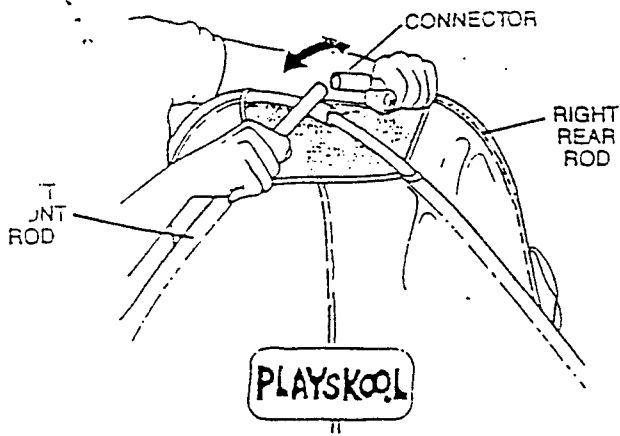
2. Fit another rod into each connector. Slide rods to bottom of front channels. (ILL. 2)



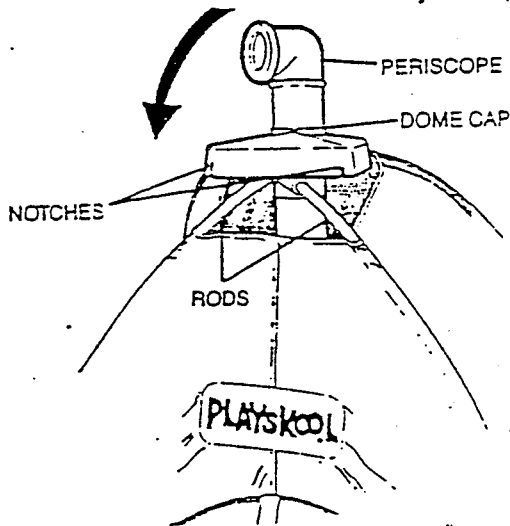
3. Slide one rod into each of the two blue pockets inside tent. Fit the snug end of one connector over the end of each rod. (ILL. 3)



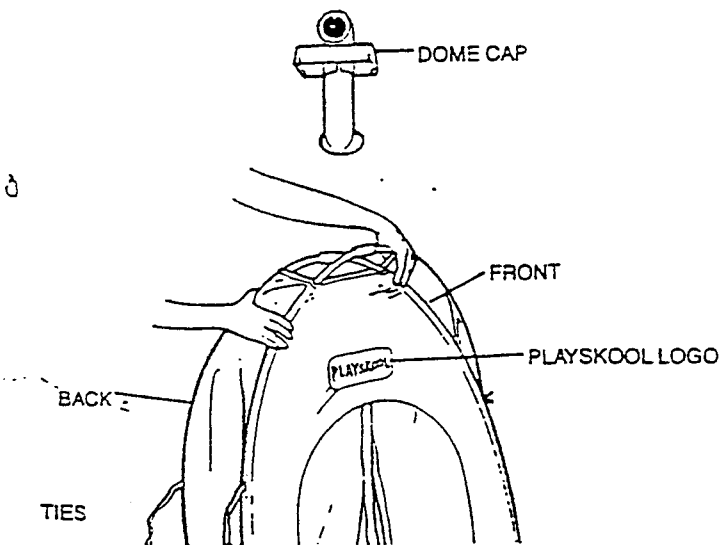
4. Fit another rod into each connector. (ILL. 4)



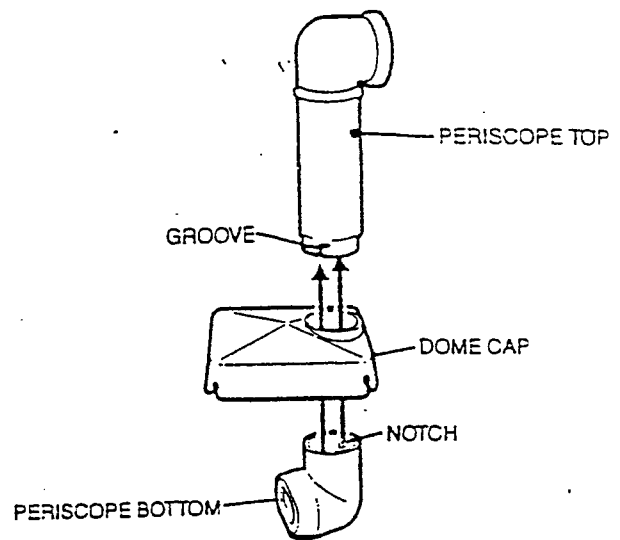
5. Fit one connector over the end of each rear rod. Fit front rods into connectors on rear rods as shown, so that they cross each other. (ILL. 5)
 Note: When you're facing the front of the tent, the left front rod should now be connected to the right rear rod, and the right front rod should be connected to the left rear rod. Also note that the left front rod and right rear rods should be connected so that they are the top rods on the tent. For proper assembly, it's important to connect the rods as indicated.



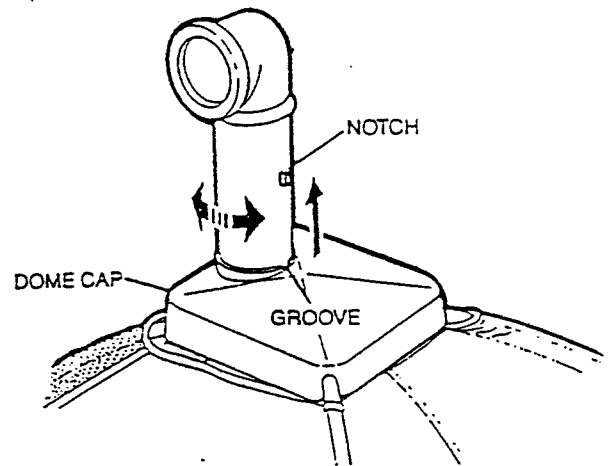
7. Snap notches on dome cap onto rods on top of tent, so that periscope is closer to the rear of the tent. Be careful not to catch the fabric between the dome cap and the rods. (ILL. 7)



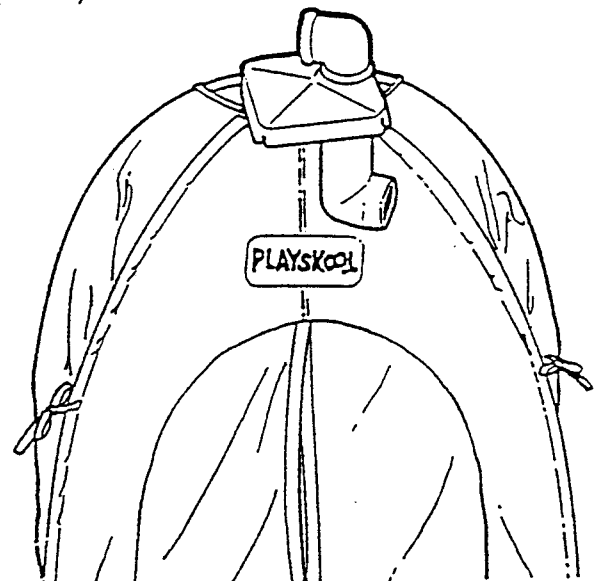
9. To store the tent, remove the dome cap. Squeeze together the back and front of the tent so that the Playskool logo is facing forward. Tie ties on sides of tent. (ILL. 9)



6. Slide periscope top into top of dome cap. Fit notch on periscope bottom into groove in periscope top. Turn bottom of periscope until it locks into position. (ILL. 6)



8. To adjust the periscope to different heights, slide the notch on the side of the periscope through the groove in the dome cap. The periscope should also be able to rotate 360°. The periscope can also be removed from the dome cap and used as a separate toy. (ILL. 8)



10. Snap one notch on dome cap over any rod on top of tent. Hang the tent from a hook, lay it flat or stand it against a wall. (ILL. 10)