

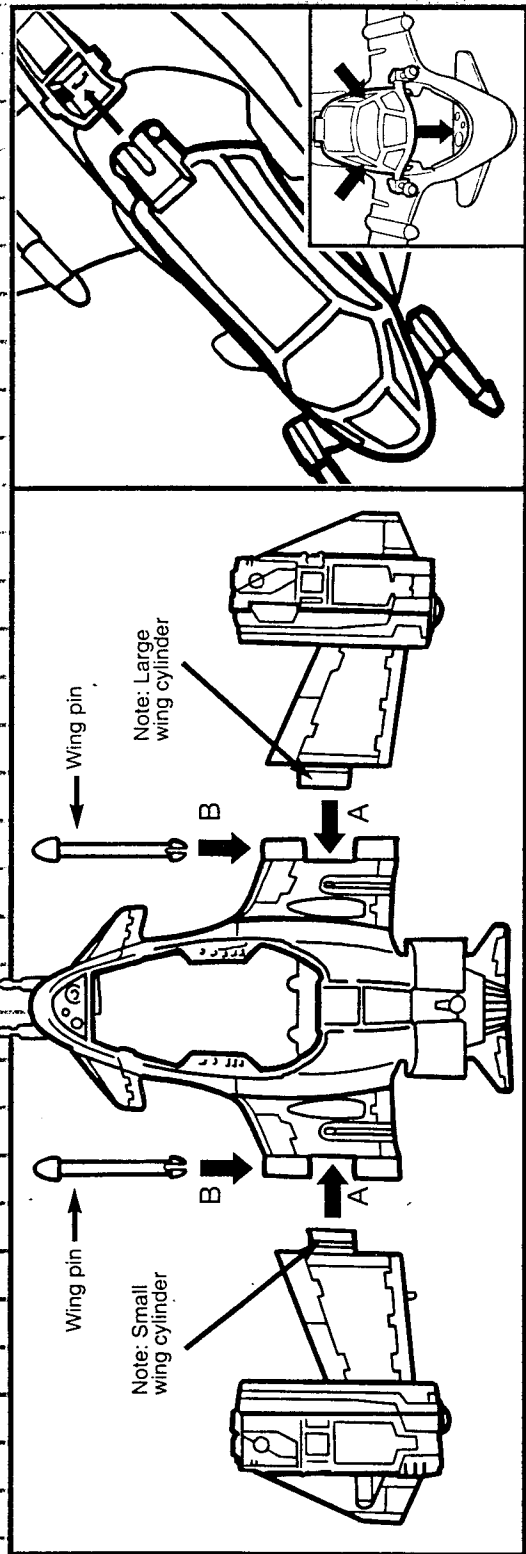
# ALIENS™

## MINI DROP SHIP™ INSTRUCTIONS

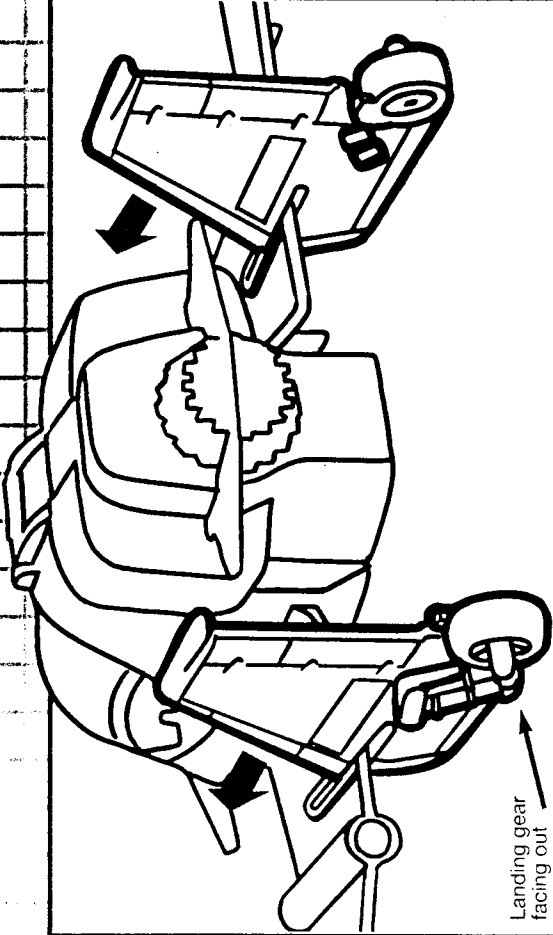


A: Slide wing into position.

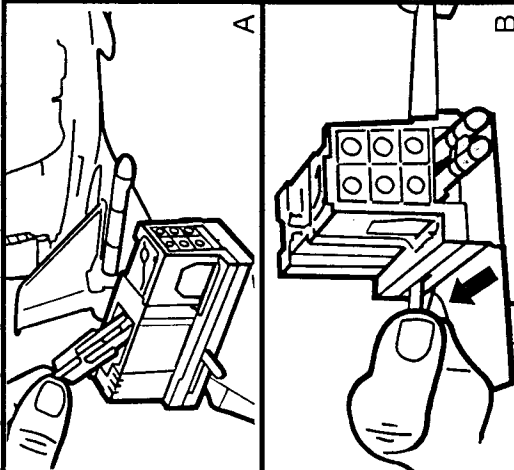
B: Insert wing pin into place to secure wing.



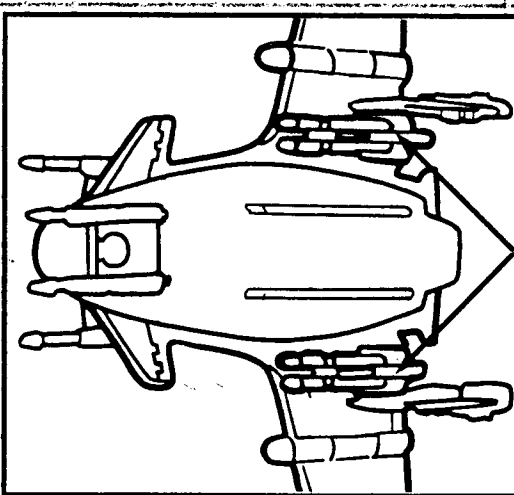
2. Attach canopy by inserting one peg at a time. Squeeze sides of canopy together when closing it.



3. Slide the right stabilizer on the right wing and the left stabilizer on the left wing as shown, with landing gear facing out.

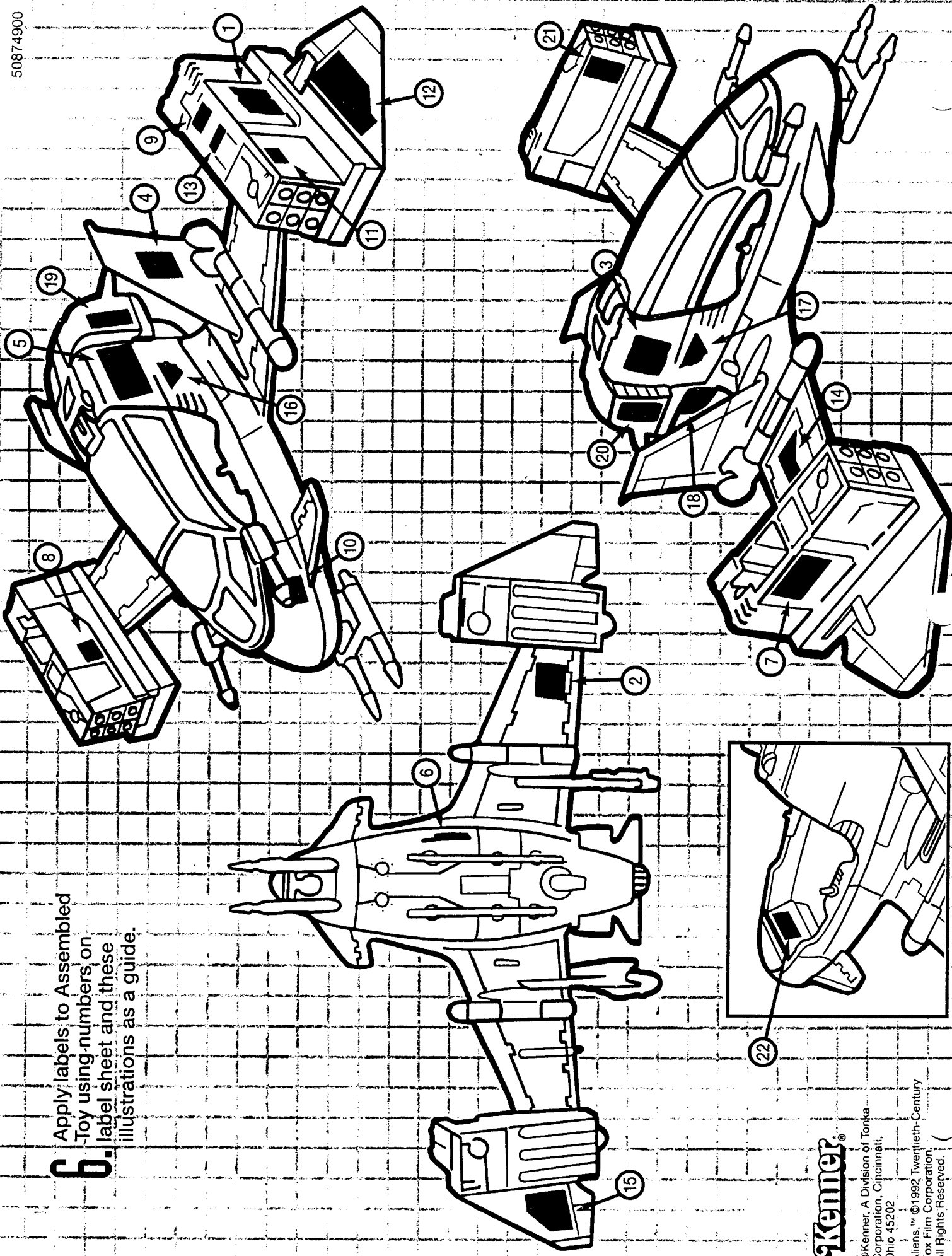


4. A: Load missiles as shown. B: Pull firing lever all the way back until it fires. Hold wing level when firing.



5. Store additional missiles under wing.

**6.** Apply labels to Assembled Toy using numbers on label sheet and these illustrations as a guide.



©Kenner, A Division of Tonka Corporation, Cincinnati, Ohio, 45202  
 Aliens™ ©1992 Twentieth-Century Fox Film Corporation. All Rights Reserved.