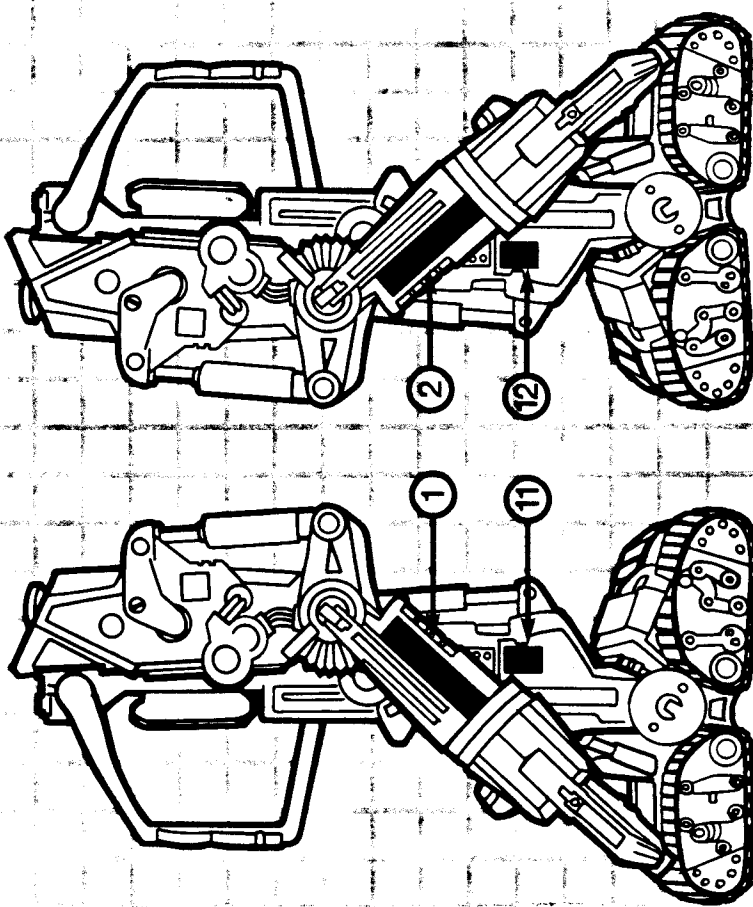
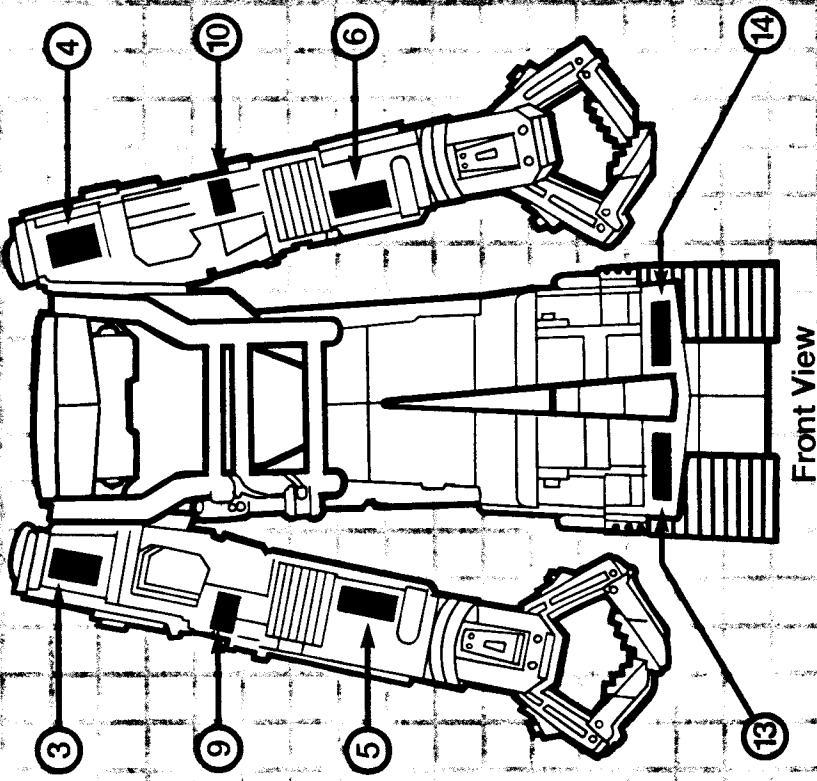
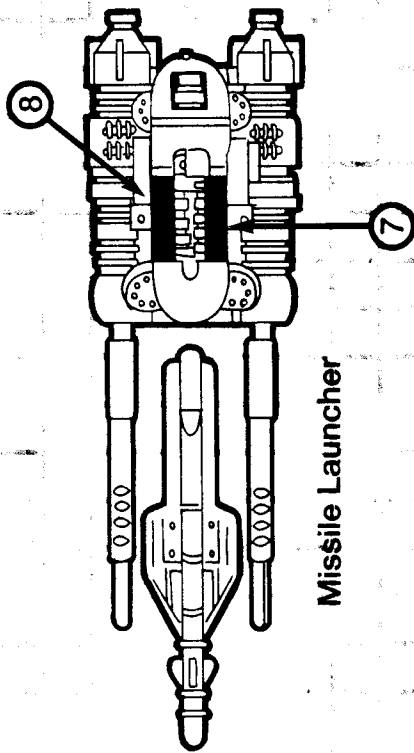


ALIENS™

POWER LOADER INSTRUCTIONS

1. Apply labels using the numbers on the label sheet and these illustrations as a guide.



Kemper®

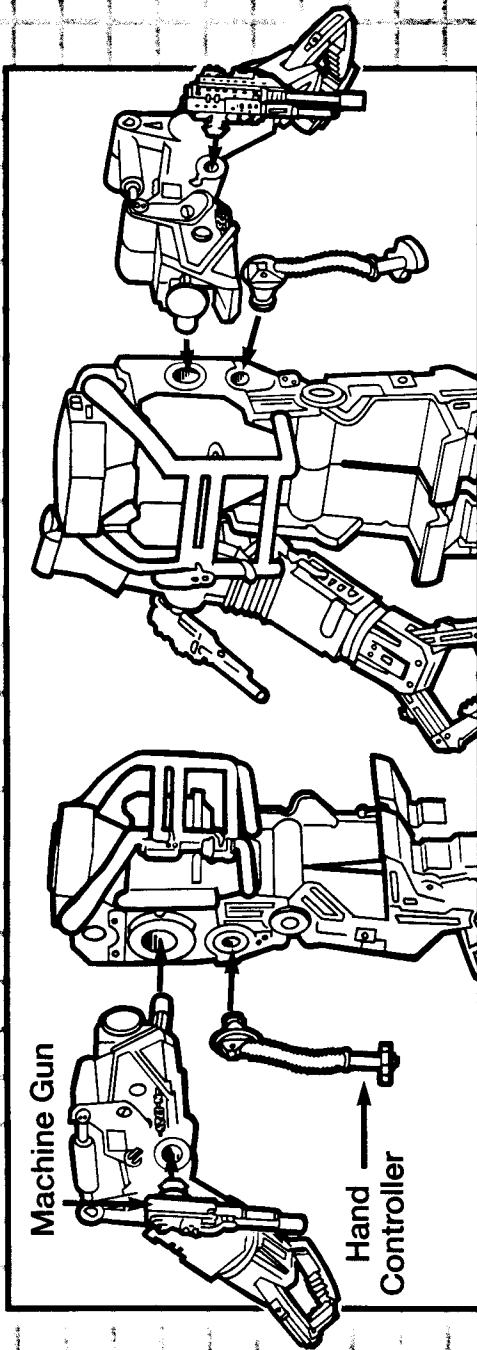
©Kemper, A Division of Tonka Corporation
Cincinnati, Ohio 452

©1992 Twentieth-Century Fox Film Corporation.
All Rights Reserved.

ASSEMBLY

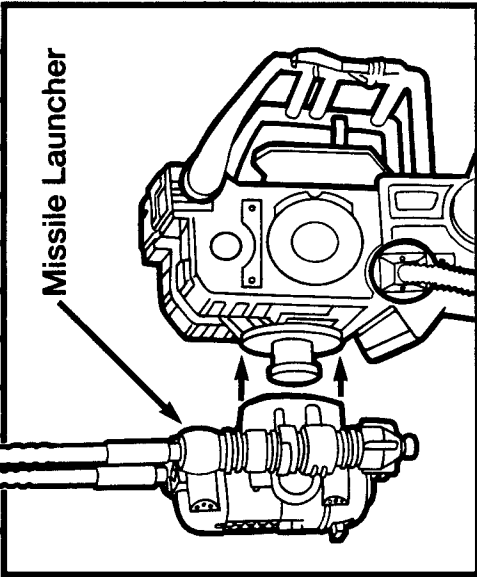


To Assemble Power Loader, snap parts together as shown



Machine Gun

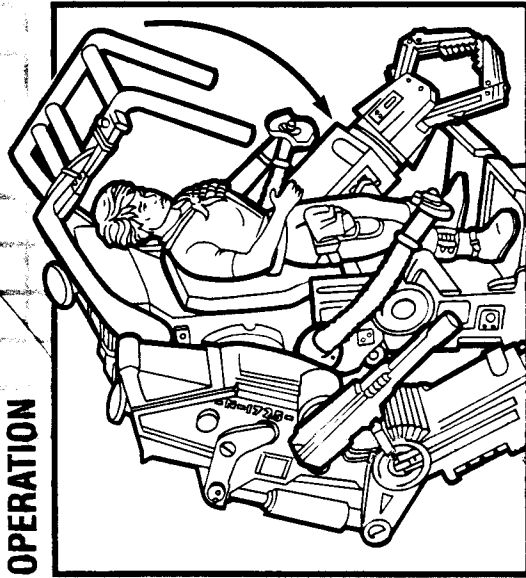
Hand Controller



Missile Launcher

2. Attach hand controller, machine gun and arm to both sides as shown in the illustration above.

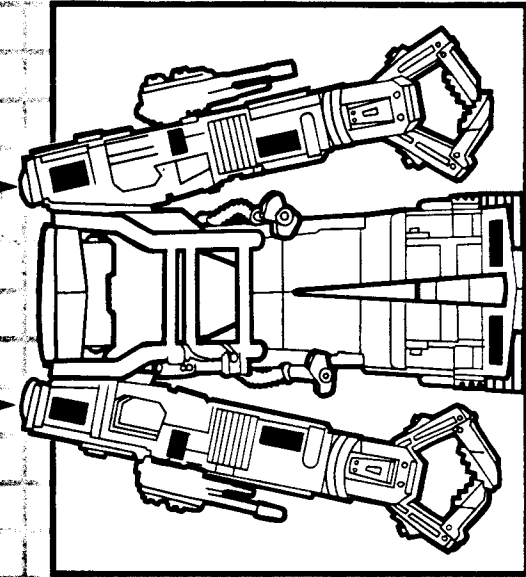
OPERATION



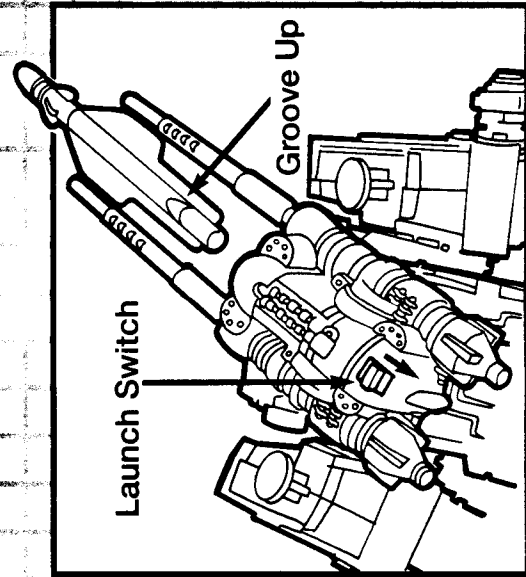
4. Raise safety cage to snap figure into Power Loader cockpit. Lower the safety cage for protection.

3. ONE-TIME ASSEMBLY Attach missile launcher.

Press Down



6. Press button on top of either arm to open and close claws.



Launch Switch

Groove Up

5. Load missile into launcher with the groove up. Pull back on launch switch to fire!