



Hydro Bat™

INSTRUCTIONS

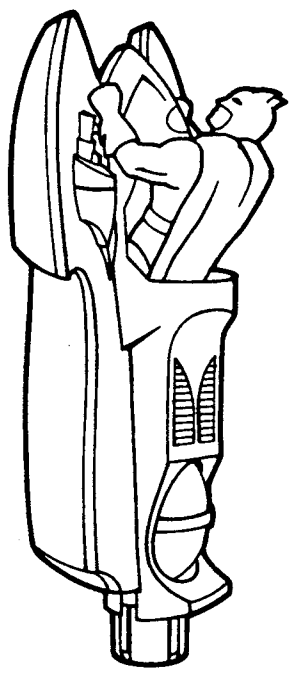
Kenner*

*Kenner Products, A Division of Tonka Corporation, Cincinnati, Ohio 45202

BATMAN and all related elements are the property of DC Comics Inc. TM and © 1993 All Rights Reserved.

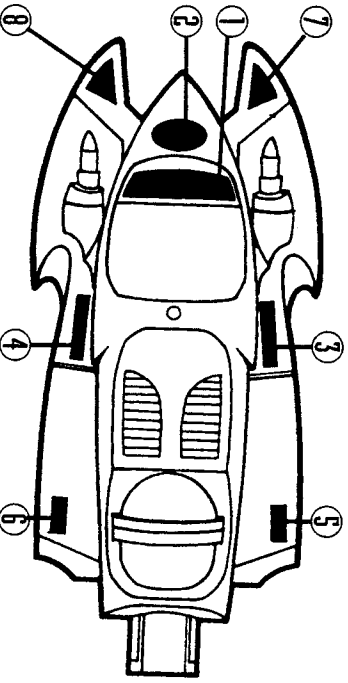
2

BATMAN® figure fits into vehicle as shown.



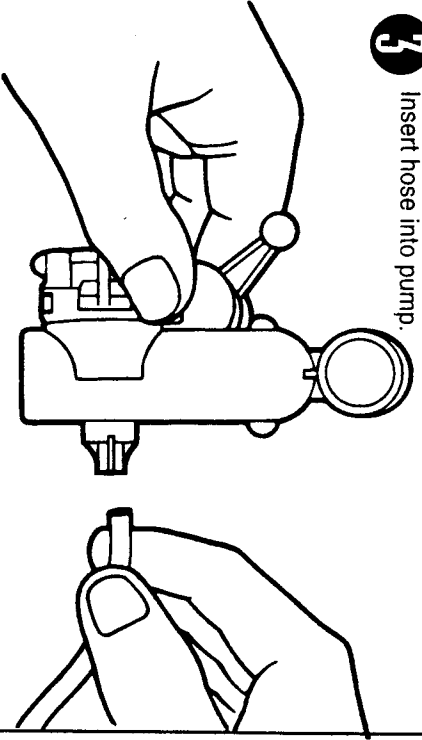
1

Apply labels following numbers on label sheet using this illustration as a guide.



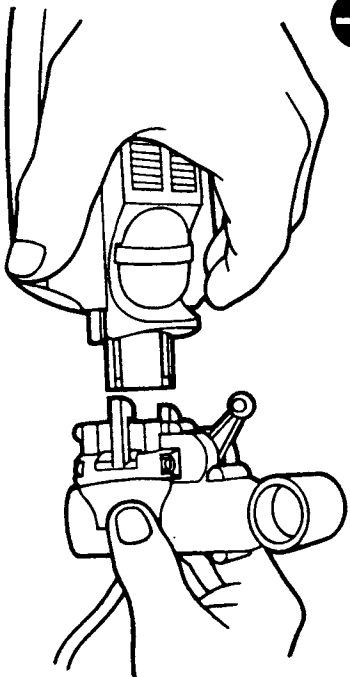
3

Insert hose into pump.

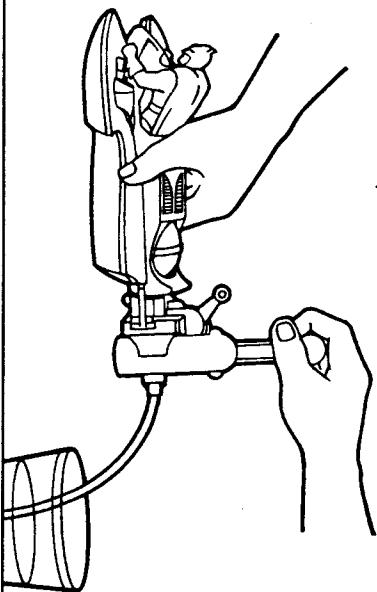


4

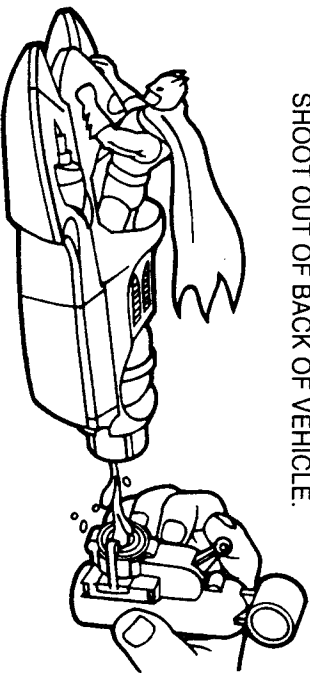
Attach pump to vehicle.

**5**

With hose underwater, pump until plastic liner fills with water and expands to fill the tank.

**6**

TO LAUNCH ON A SMOOTH SURFACE: Place vehicle on smooth surface. Pull up on lever to launch vehicle. CAUTION: PLAY OUTSIDE OR WHERE WATER WILL NOT DAMAGE LAUNCHING AREA! WATER WILL SHOOT OUT OF BACK OF VEHICLE.

**7**

TO LAUNCH ON WATER: Rest vehicle on surface of water and pull up on lever to launch.

