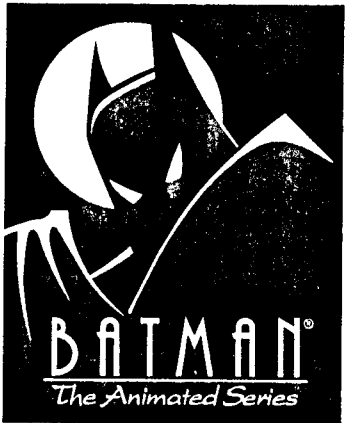


#634

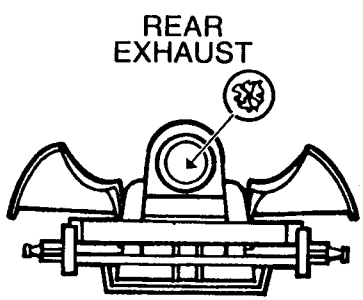
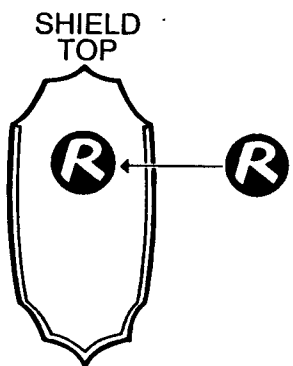


Robin™ Dragster

VEHICLE

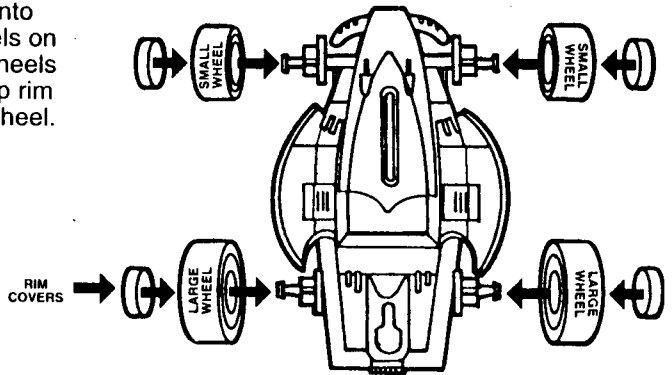
ASSEMBLY & OPERATING INSTRUCTIONS

1 Apply labels using these illustrations as a guide.



2 **ONE-TIME ASSEMBLY**
Once assembled, cannot be taken apart!

Snap each wheel onto its axle, small wheels on front axles, large wheels on back axles. Snap rim covers onto each wheel.

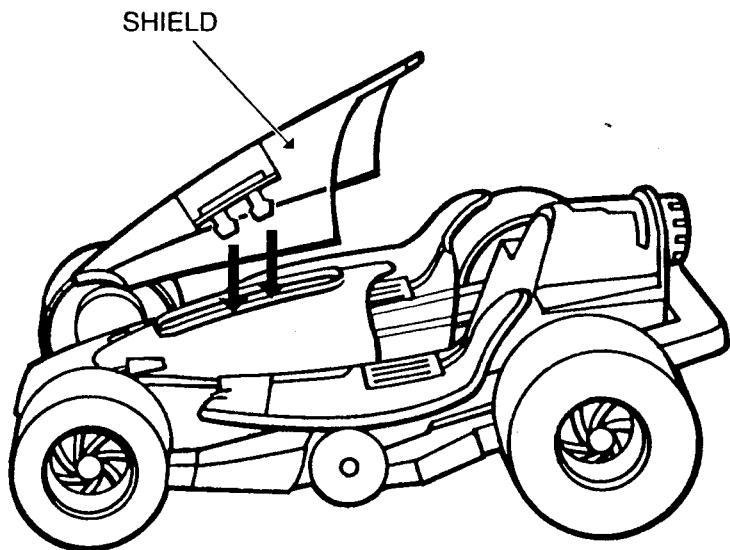


Kenner

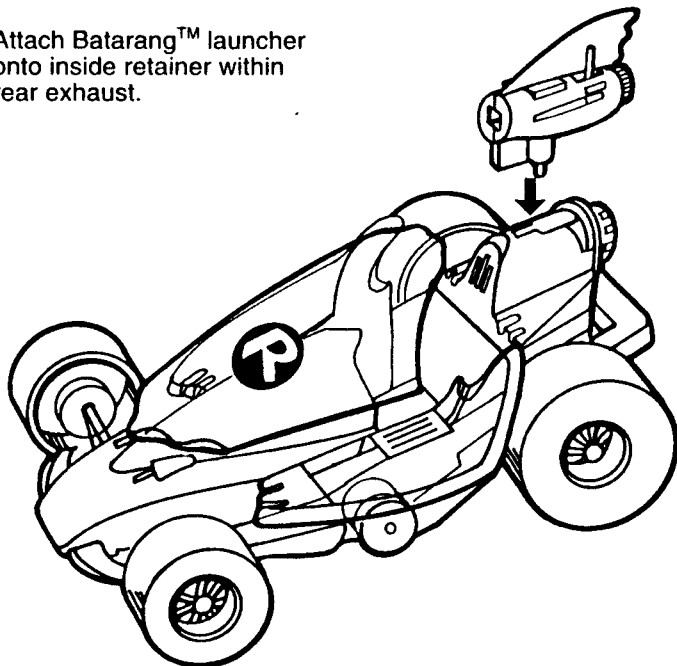
BATMAN and all related elements are the property of DC Comics Inc. TM and © 1992 All Rights Reserved.

•© Kenner Products Corporation, Cincinnati, Ohio 45202

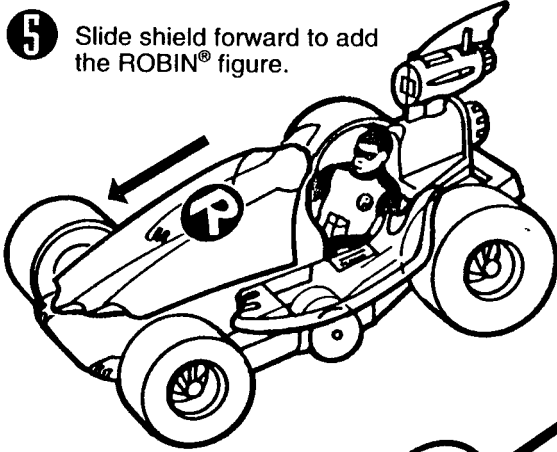
- 3** Snap shield into slot on hood.



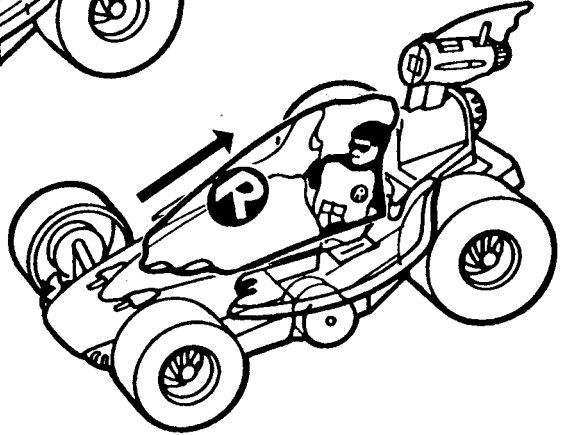
- 4** Attach Batarang™ launcher onto inside retainer within rear exhaust.



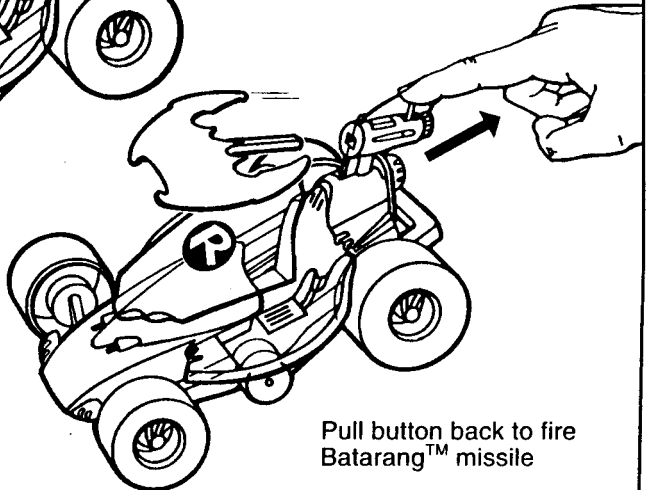
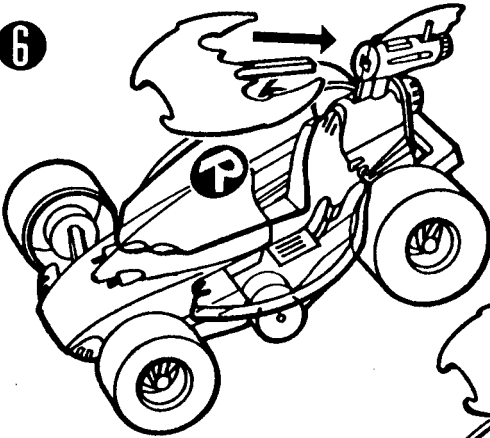
5 Slide shield forward to add the ROBIN® figure.



Move shield back to protect ROBIN® figure and reveal weapons.



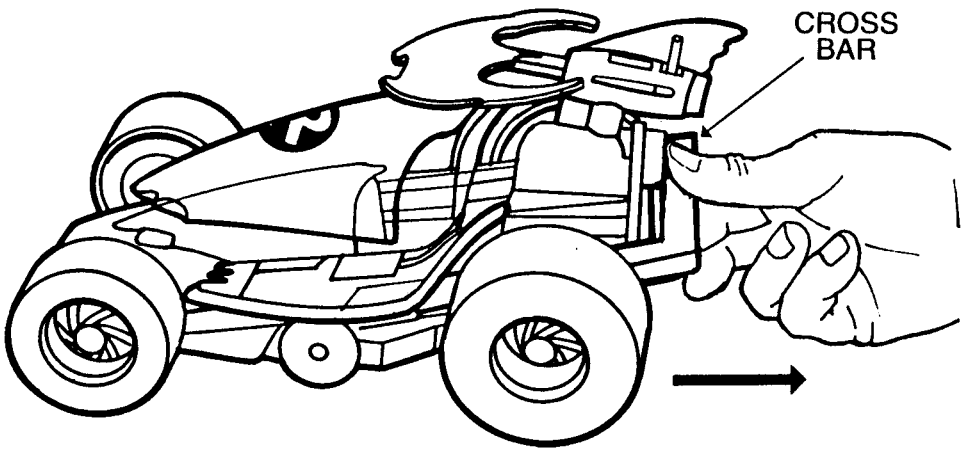
6 Insert Batarang™ missile into launcher.



Pull button back to fire Batarang™ missile

63995

7 Brace thumb against rear exhaust and pull on cross bar with fingers to raise Robin™ Dragster to High-Rider position.



8 To close Dragster, slowly press down wings on both sides of vehicle. It will lock down in position.

