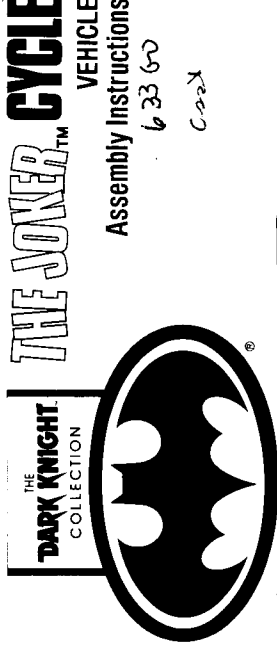
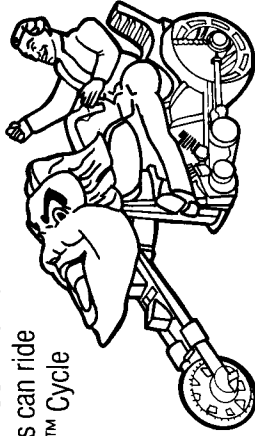
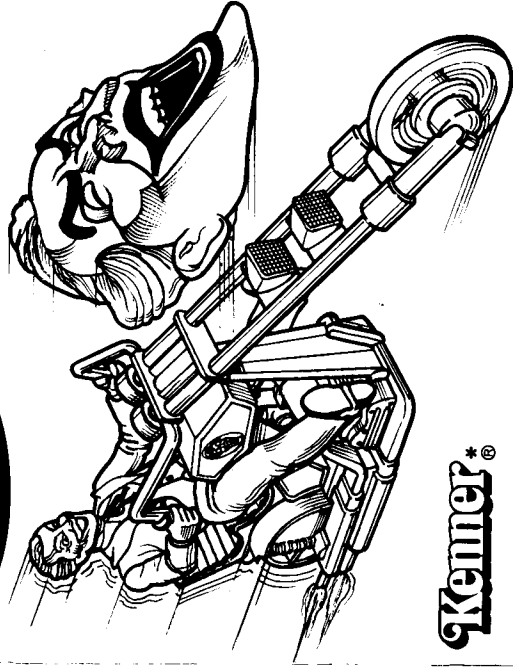


Apply both labels to assembled parts using the numbers on the label sheet and the above illustrations as a guide.

ALL BATMAN®:
THE DARK KNIGHT™ COLLECTION
Action Figures can ride
THE JOKER™ Cycle



Coax



Kenner®

WE REALLY DO CARE!

We make each toy with tender loving care. If there is a problem with your toy as you receive it, please let us know. Simply describe the problem and mail that description along with your name and address to:

KENNER PRODUCTS
Consumer Affairs Dept.
1014 Vine St.
Cincinnati, OH 45202

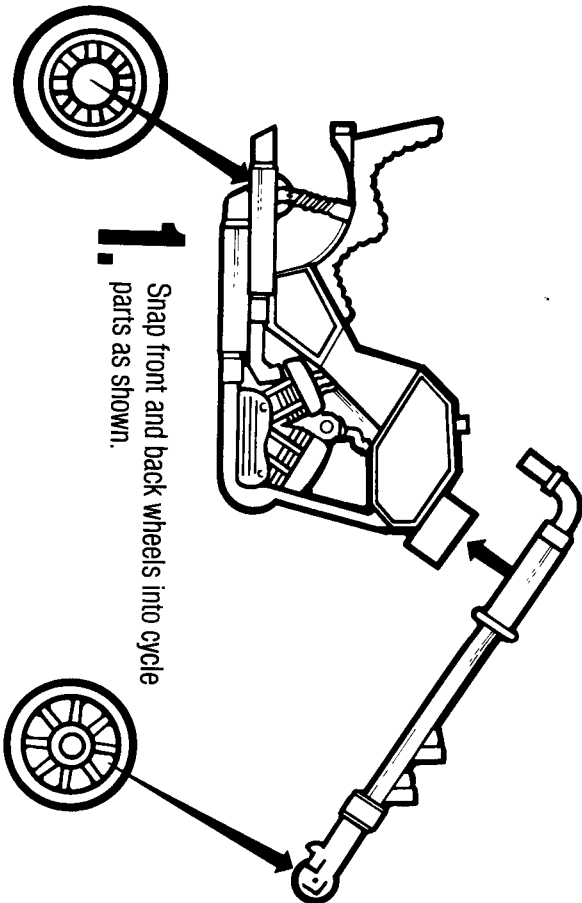
PRINTED IN HONG KONG

Kenner®

**Kenner, a Division of
Tonka Corporation

TM and ® indicate a trademark of DC Comics Inc. BATMAN, THE DARK KNIGHT and all related characters, accessories and indicia are trademarks of DC Comics Inc. © 1990. All Rights Reserved.
\$339006000

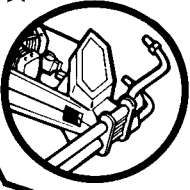
2. Snap front section of cycle to back section.



1. Snap front and back wheels into cycle parts as shown.

Snap front section of cycle to back section.

3. THE JOKER® Mask: Carefully insert square shaft of mask into the square hole in front of the cycle's gas tank until it locks into position.



4. Pull back on firing lever on top of gas tank to fire mask.

