

64025

# LEGENDS

## BATMAN OF

### BATMOBILE<sup>®</sup> INSTRUCTIONS

# 1

Apply labels,  
following numbers  
on label sheet  
using this illustration  
as a guide.

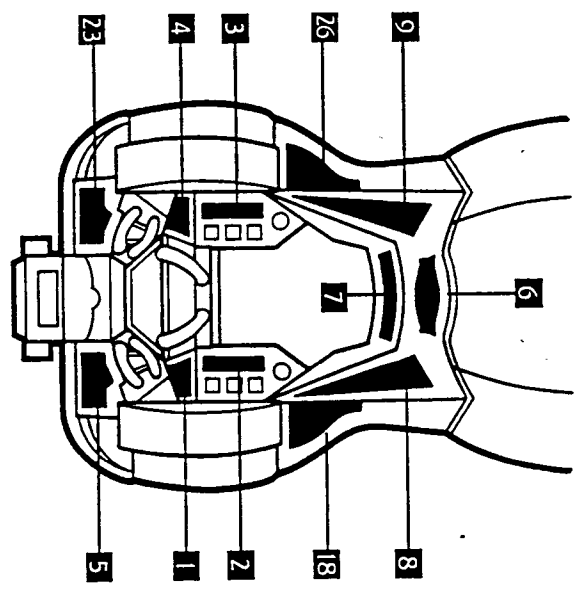


### Kenner<sup>®</sup>\*

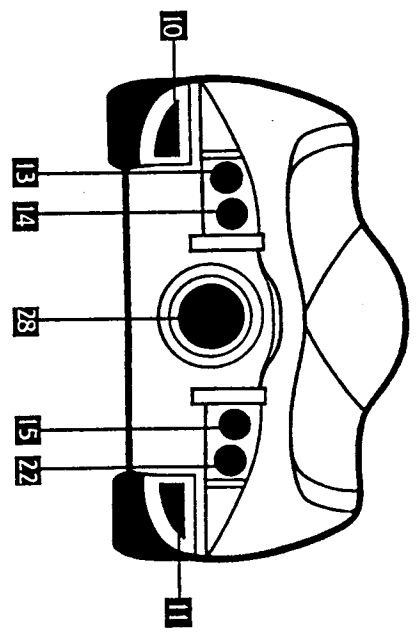
A Division of Tonka Corporation  
Cincinnati, Ohio 45202

BATMAN and all related elements  
are the property of DC Comics  
TM & © 1994 All Rights Reserved.  
Printed in Mexico  
51183200

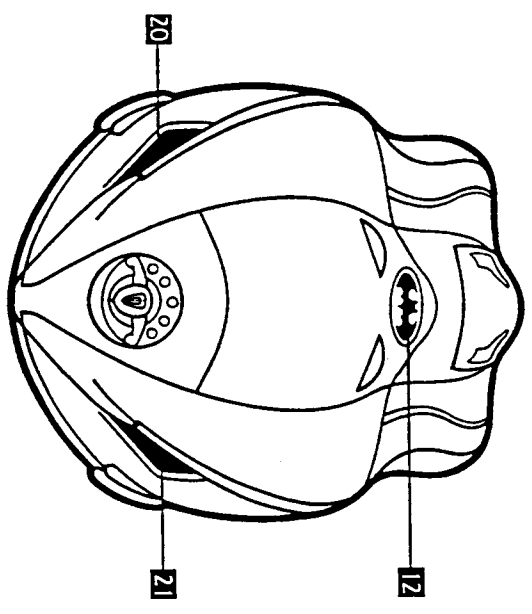
### A Inside Cockpit



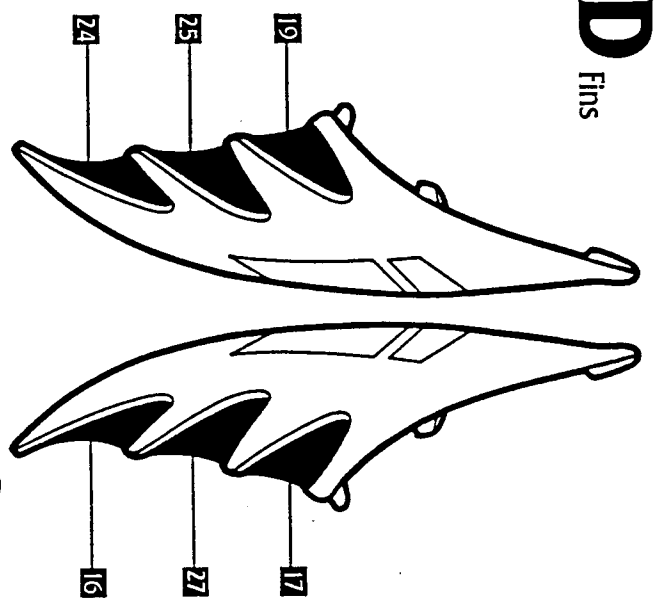
### B Rear End



### C Front and Top



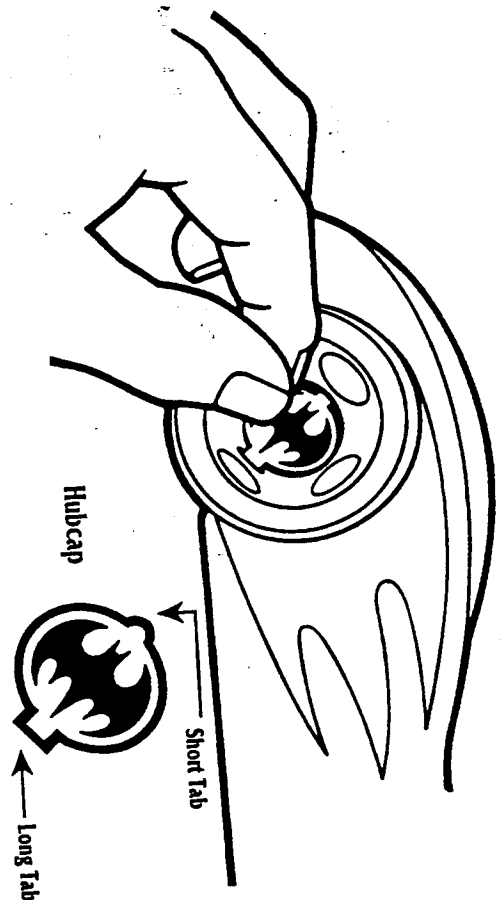
### D Fins



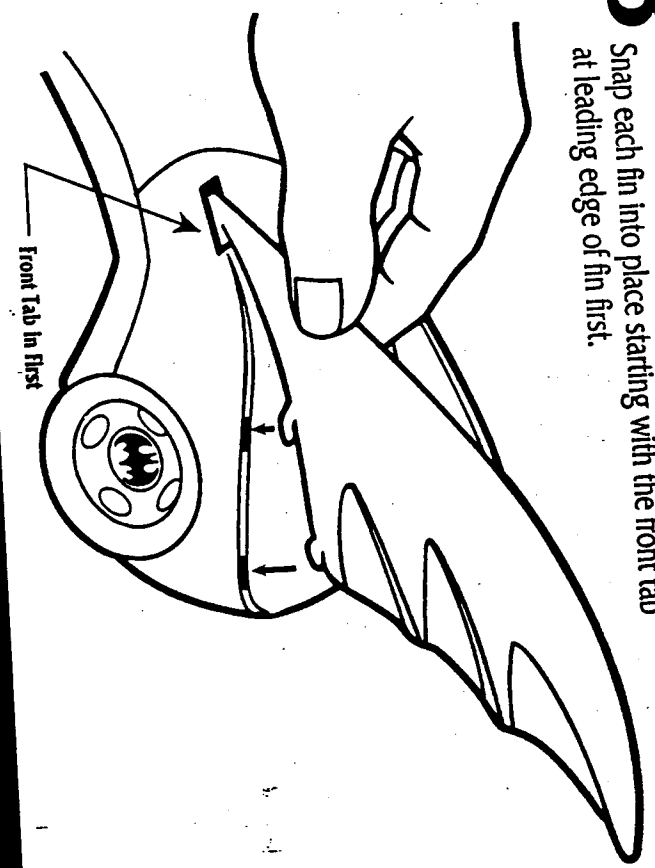
64025

251922

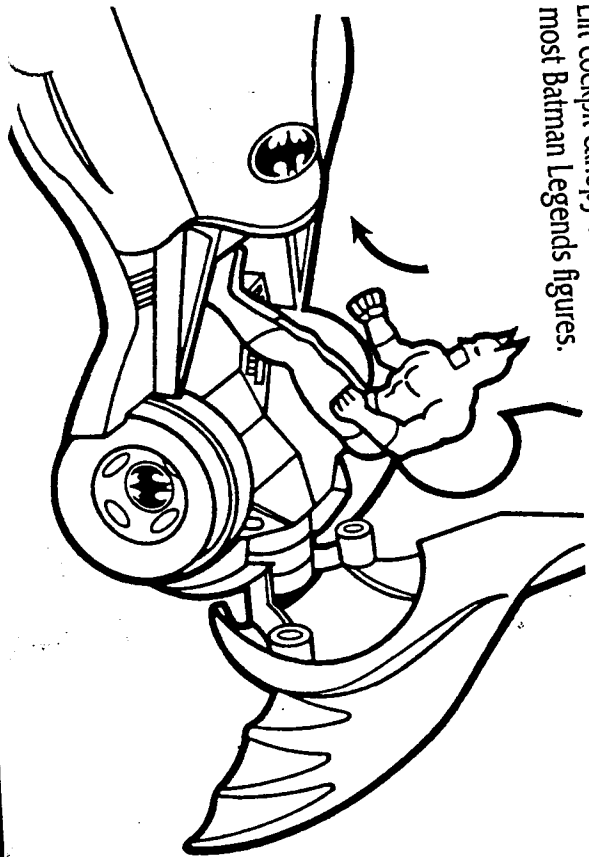
**2** Remove hub caps from sheet and snap on each wheel one at a time. Insert long tab into slot first, then short tab into opposite slot as shown.



**3** Snap each fin into place starting with the front tab at leading edge of fin first.



**4** Lift cockpit canopy to insert Batman figure. Batmobile cockpit will accept most Batman Legends figures.



**5** Load missile and press button to fire.

