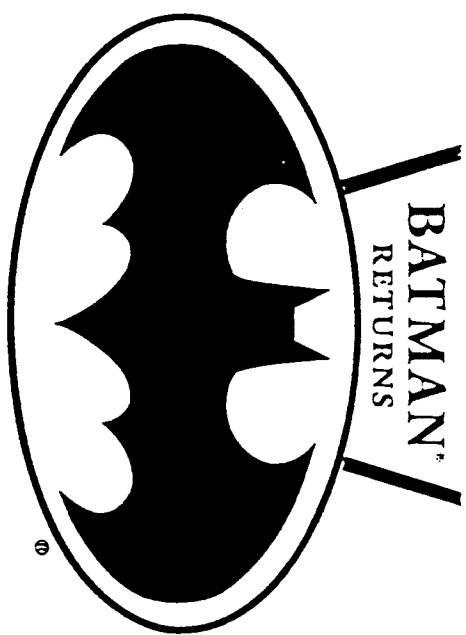


BATMAN[™]
RETURNS



BATMAN[®]

BATCAVE[™]
COMMAND
CENTER
PLAYSET
INSTRUCTIONS

#63360
1982

WE REALLY DO CARE!

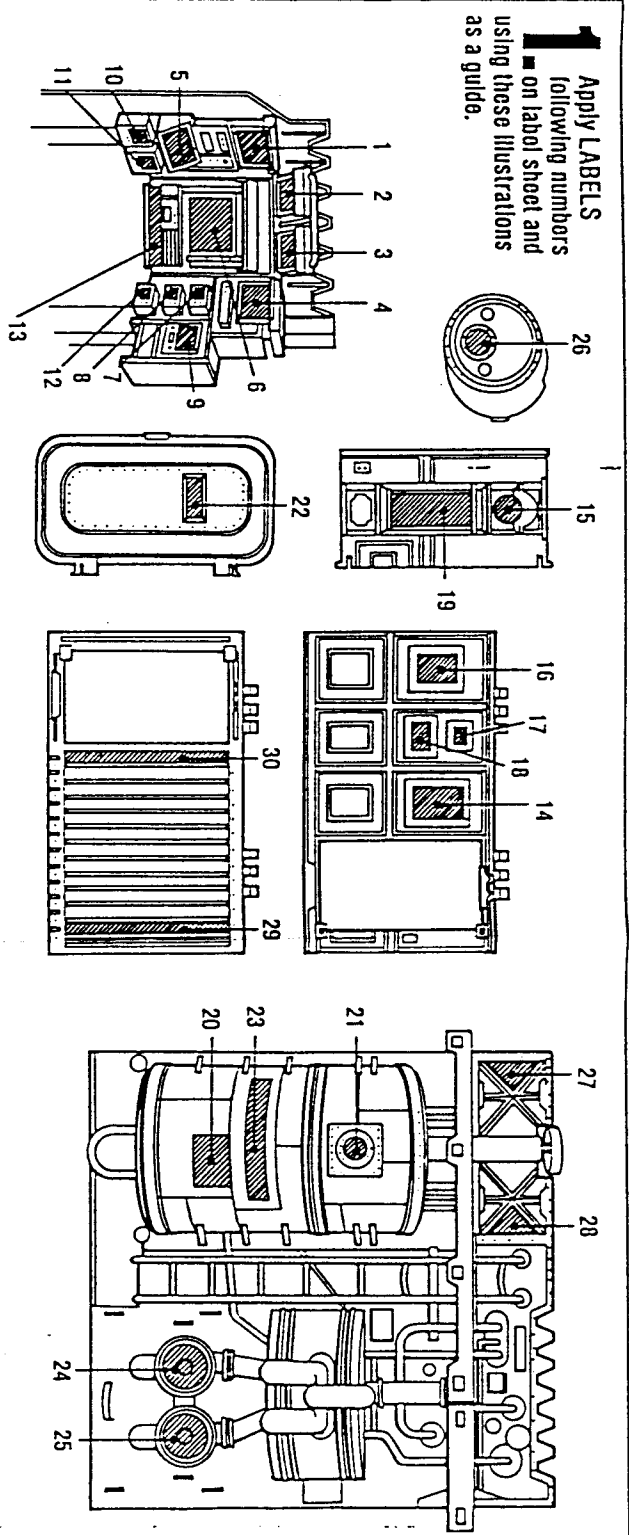
If you have any questions, please call
1-800-327-8264
Or write (include name,
address and phone number):
Kemper Products
Consumer Services
P.O. Box 250

Div of - **Kemper**[®]

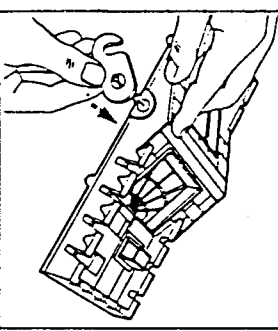
TM and ® indicate a trademark of DC Comics Inc. BATMAN, THE BATMAN PLAYSET, BATMAN COMMAND CENTER and the Batman logo are trademarks of DC Comics Inc. © 1981 All Rights Reserved.

ASSEMBLY INSTRUCTIONS

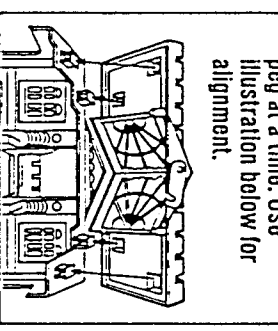
1 Apply LABELS following numbers on label sheet and using these illustrations as a guide.



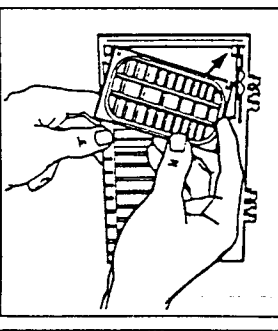
2. Snap latch onto post on back of roof.



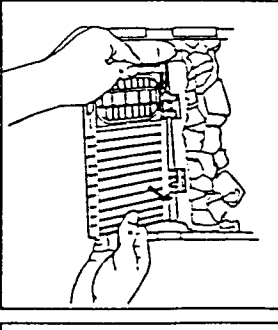
3. Snap roof onto front section of playsol, one peg at a time. Use illustration below for alignment.



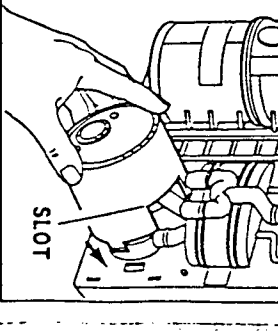
4. Snap Batcave™ "Secret" entrance door into swinging wallpanel one pin at a time.



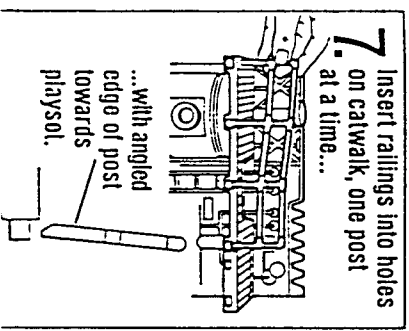
5. Then snap assembled swinging wall panel onto cave one side at a time.



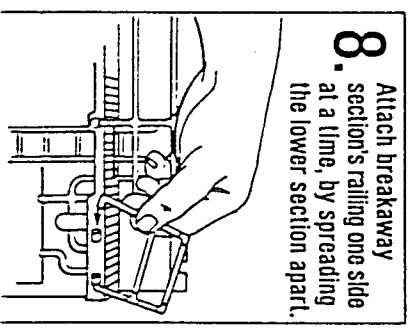
6. Attach sewage tank to rear wall with slotted side of tank up.



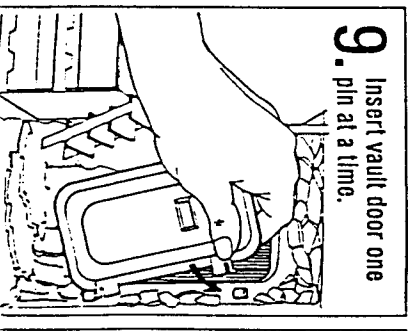
7. Insert railings into holes on catwalk, one post at a time...



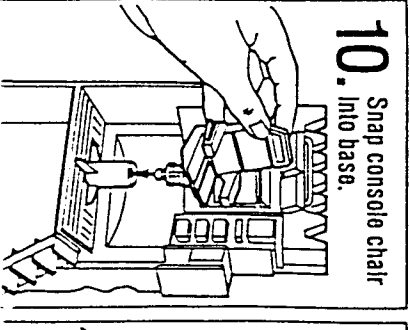
8. Attach breakaway section's railing one side at a time, by spreading the lower section apart.



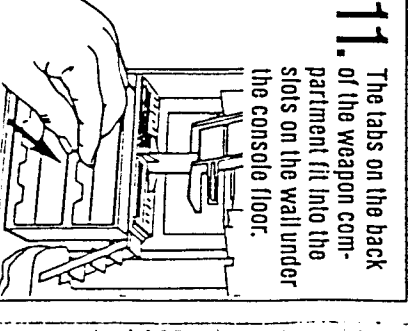
9. Insert vault door one pin at a time.



10. Snap console chair into base.

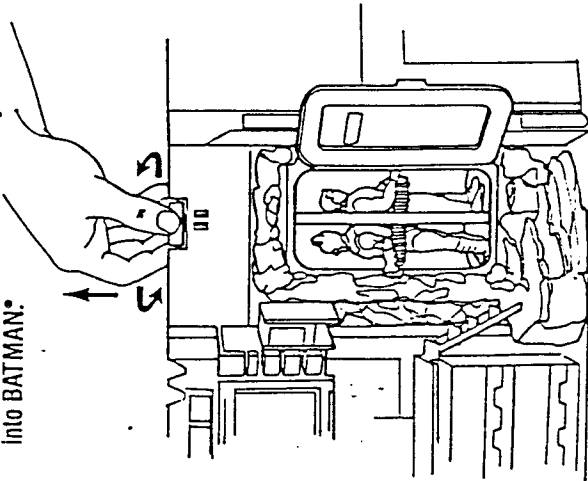


11. The tabs on the back of the weapon compartment fit into the slots on the wall under the console floor.

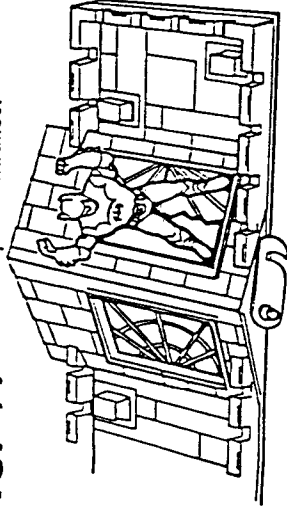


OPERATING INSTRUCTIONS

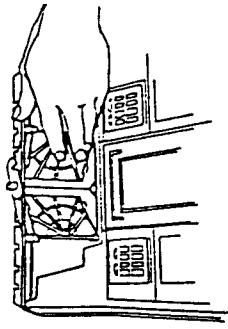
12. The secret chamber can hold two figurinos. Securo figurinos in chamber with waist bolts. Pull up knob to turn chamber around and pretend to change Bruce Wayne* into BATMAN*.



13. Push figurinos through breakaway skylights for a surprise entrance.

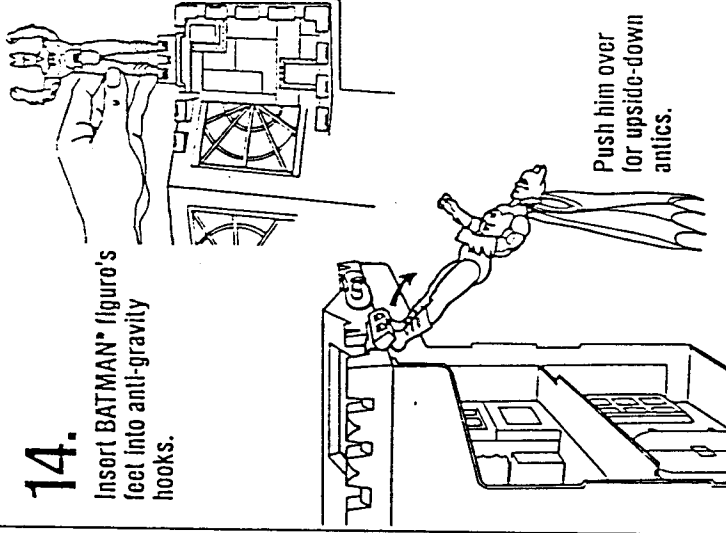


Push up on skylights to snap them back into place.



14.

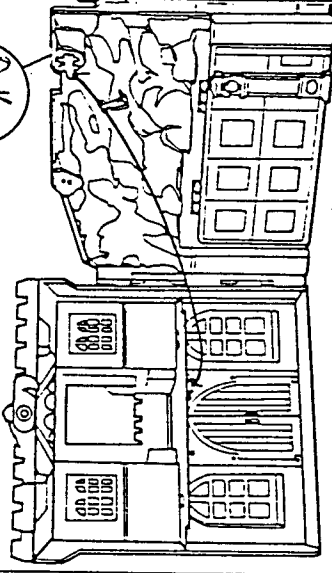
Insert BATMAN* figurino's feet into anti-gravity hooks.



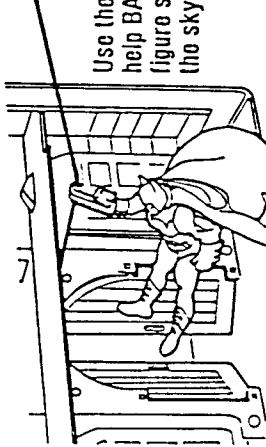
Push him over for upside-down antics.

15.

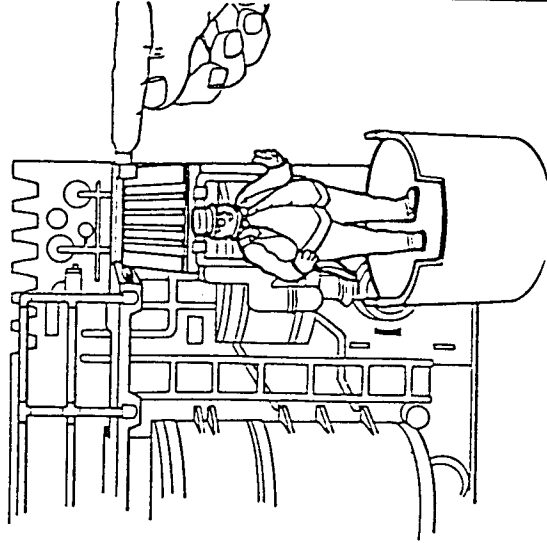
Attach sky cable from either clip on cave wall to clip near front door. Wrap loose string around cable snap to make string taut.



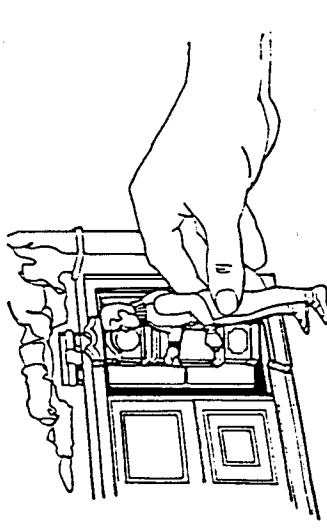
Use the arm clip to help BATMAN* figurino slide down the sky cable.



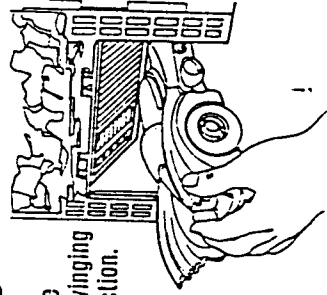
16. Remove the sewage tank from the wall and position it under breakaway catwalk. Push the button on the side of the catwalk to drop THE PENGUIN* figurino into the sewage tank. Return floor and railing to upright position.



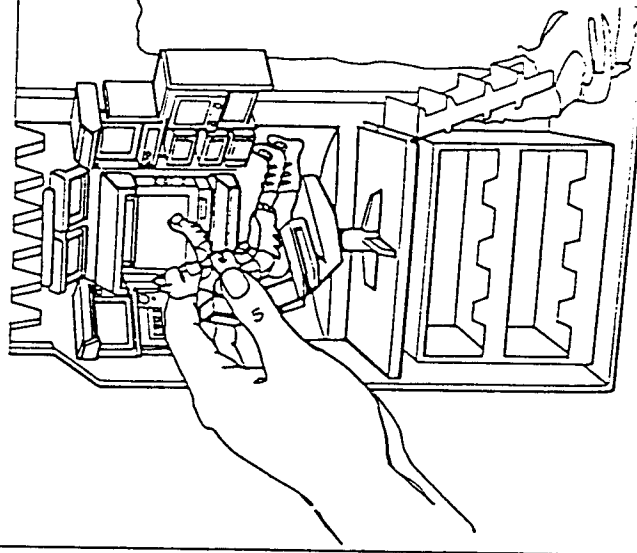
17. Figurinos can go through Balcavo™ secret entrance which opens only one way...



...The Batmobile* vehicle can drive through the swinging wall panel in either direction.

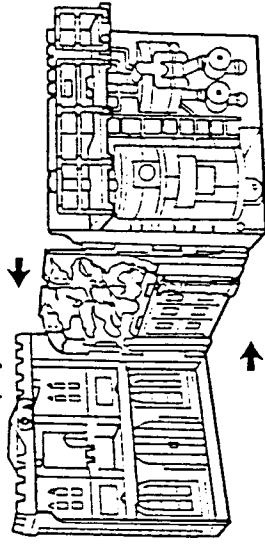


18. BATMAN* figurino can be seated in chair at Computer Command Console.



19.

To carry or store BATMAN* Balcavo™ Command Center Playset, fold sections together. Breakaway skylights, anti-gravity hooks, and latch must be in up position to close playset.



Once the playset is closed rotate the latch down to lock playset together. Open the skylights and use the roof section as a handle to carry.

