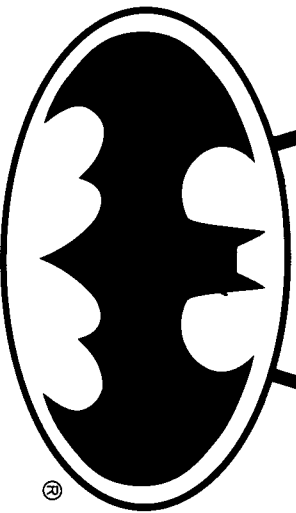
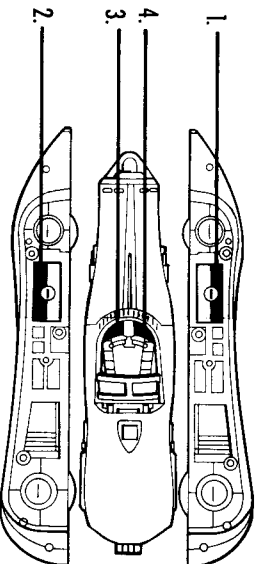


BATMAN®  
RETURNS

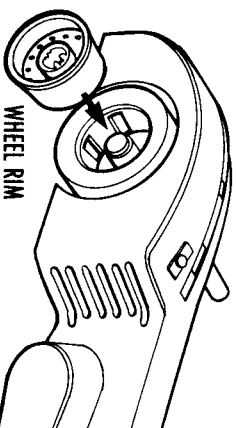


## ASSEMBLY INSTRUCTIONS

**1.** Apply labels using this illustration as a guide.

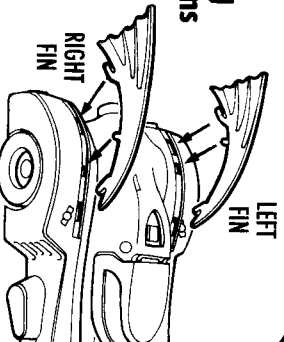


**2.** Push wheel rim into the center of each of the 8 wheels.

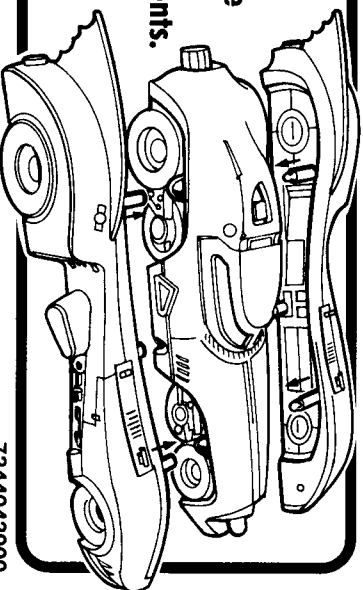


# BATMISSILE™ BATMOBILE™ VEHICLE

**3.** Install the two rear fins by sliding front tab on the fins into the fender openings then pressing the back pins down into place. *Note: left & right fins are different.*



**4.** Assemble all three components.

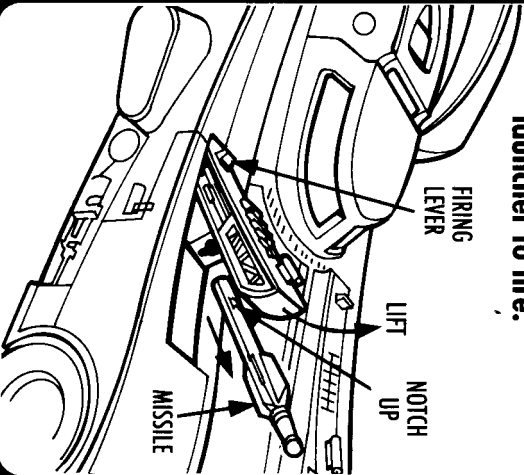


TM and ® indicate a trademark DC Comics Inc. BATMAN, THE PENGUIN, ROBIN and all related characters, accessories and indicia are trademarks of DC Comics Inc. © 1992. All Rights Reserved.

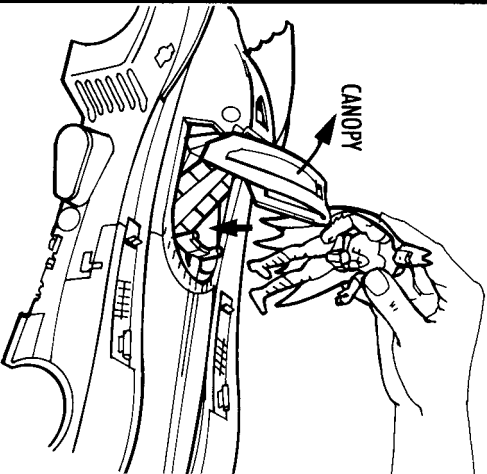
**Kemner**®  
\*Kemner Products, A Division  
of Tonka Corporation

# OPERATION INSTRUCTIONS

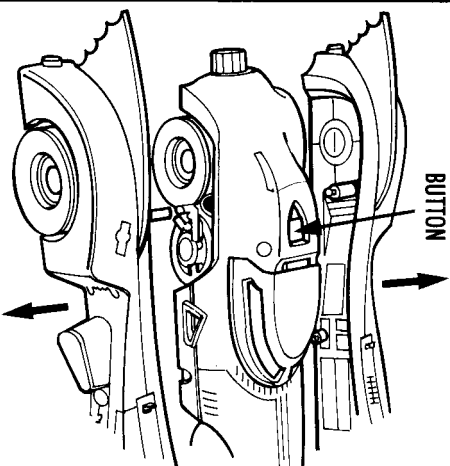
- 5** Lift missile launcher and load missile with notch up. Press lever at rear of launcher to fire.



- 6** Raise canopy and insert BATMAN® figure.



- 7** Press button firmly to blow off sides and reveal BATMISSILE™ vehicle.



- 8** Note: the two sides will also assemble to create a drone vehicle.

