

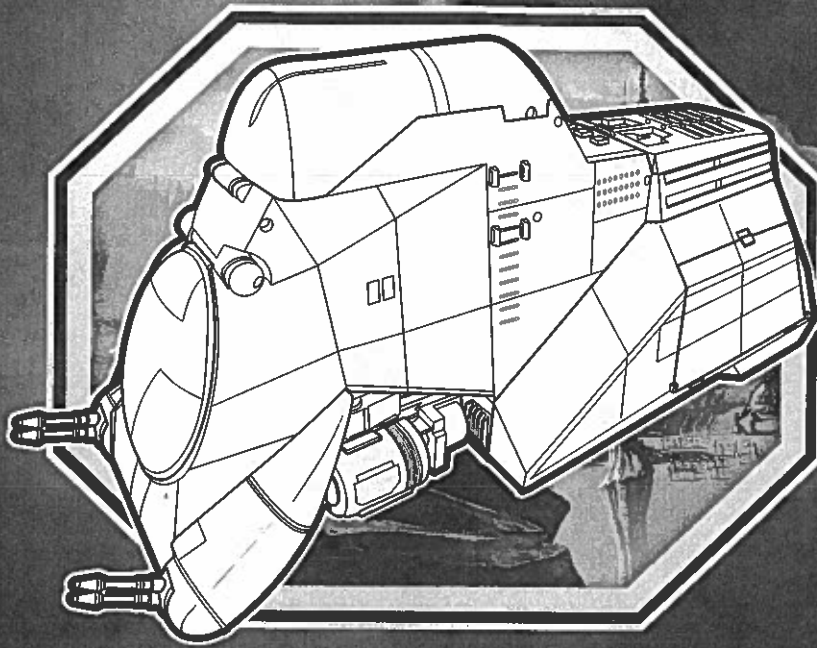


WARNING:

CHOKING HAZARD-Small parts.
Not for children under 3 years.

AGES 4+

STAR WARS

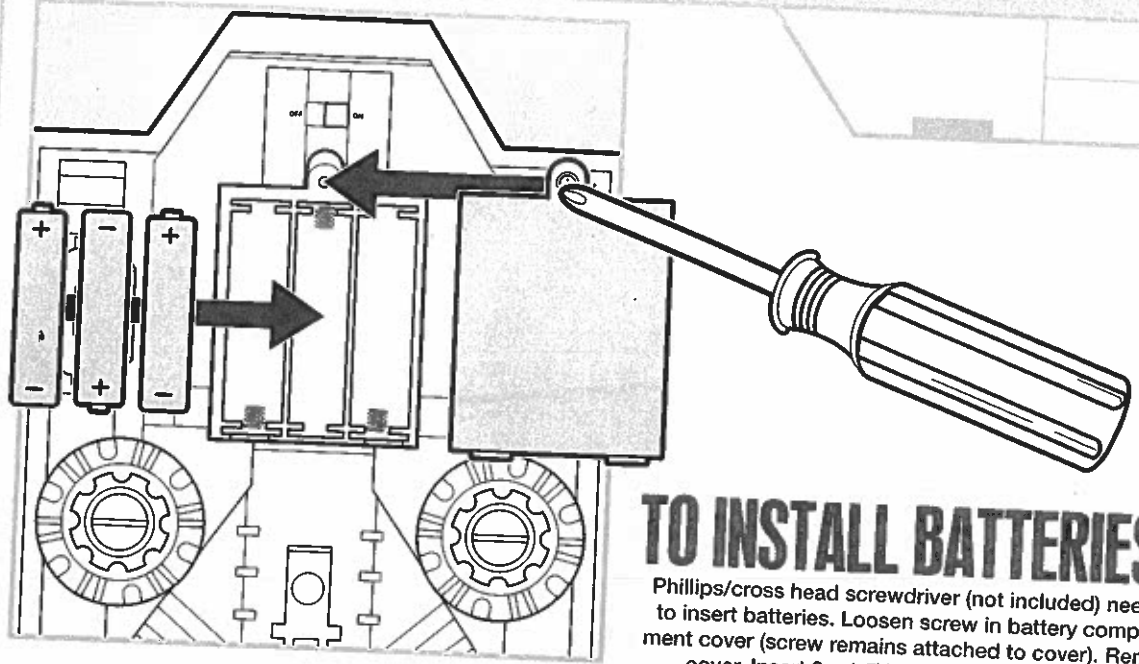


x3 15VAA
**ALKALINE
BATTERIES
REQUIRED**
NOT INCLUDED

TRADE FEDERATION MTT™

ASSEMBLY REQUIRED.

Includes vehicle, 21 figures, 20 blasters, 1 lightsaber, 2 projectiles, and instructions.



TO INSTALL BATTERIES:

Phillips/cross head screwdriver (not included) needed to insert batteries. Loosen screw in battery compartment cover (screw remains attached to cover). Remove cover. Insert 3 x 1.5V AA alkaline batteries (not included). Replace cover and tighten screw.

IMPORTANT: BATTERY INFORMATION



CAUTION:

1. TO AVOID BATTERY LEAKAGE

- Always follow the instructions carefully. Use only batteries specified and be sure to insert them correctly by matching the + and - polarity markings.
- Do not mix old batteries and new batteries or standard (carbon-zinc) with alkaline batteries.
- Remove exhausted or dead batteries from the product.
- Remove batteries if product is not to be played with for a long time.
- Do not short-circuit the supply terminals.

f. **RECHARGEABLE BATTERIES:** Do not mix these with any other types of batteries.

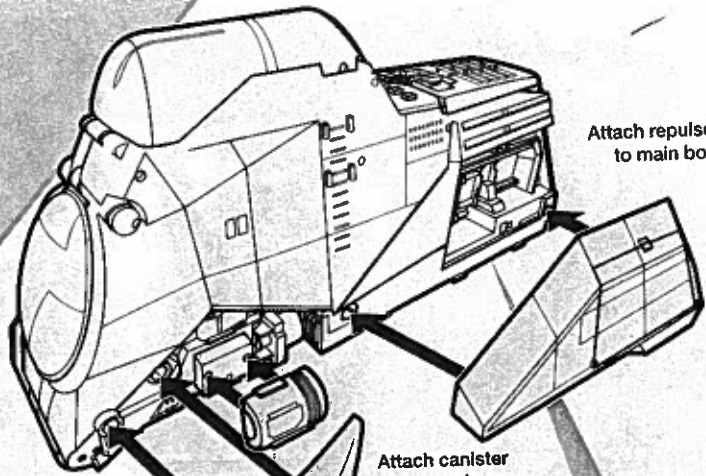
Always remove from the product before recharging. Recharge batteries under adult supervision.

DO NOT RECHARGE OTHER TYPES OF BATTERIES.

- Should this product cause, or be affected by, local electrical interference, move it away from other electrical equipment. Reset (switching off and back on again or removing and re-inserting batteries) if necessary.

ASSEMBLY:

1

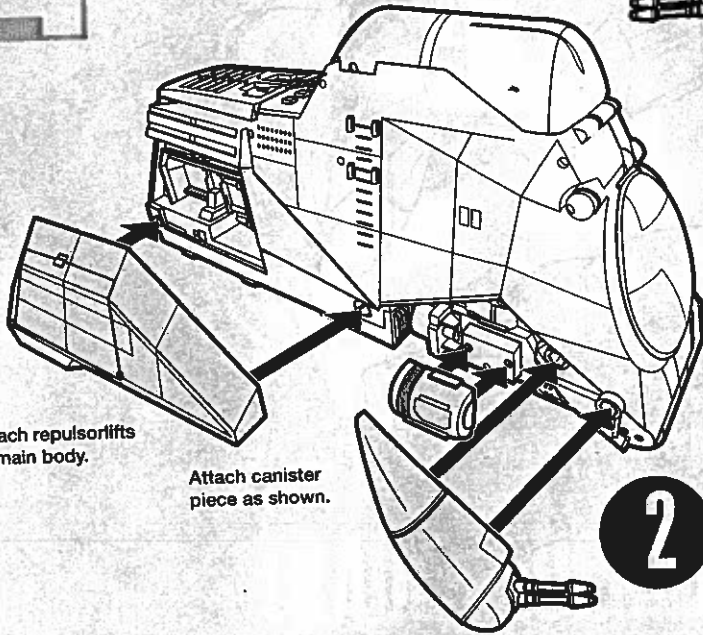


Attach repulsor lifts to main body.

Attach canister piece as shown.

Attach forward cannon pods to main body.

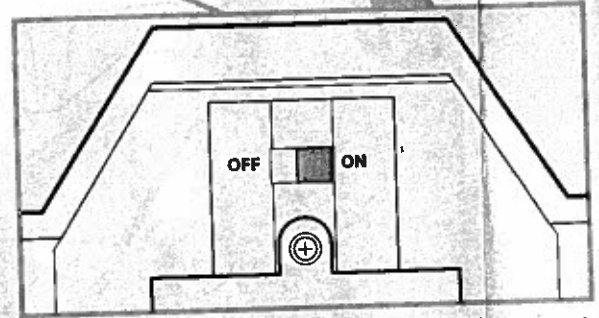
2



Attach repulsor lifts to main body.

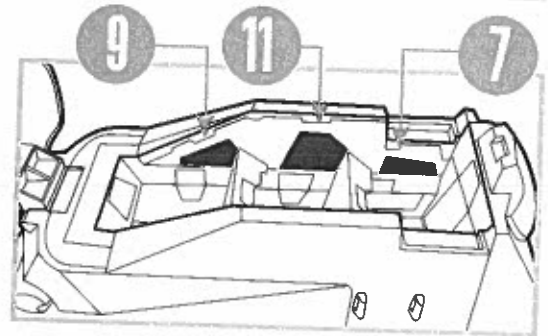
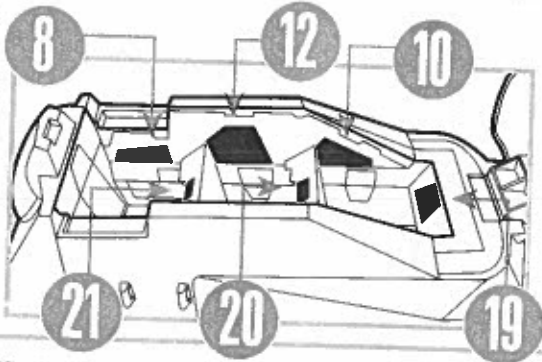
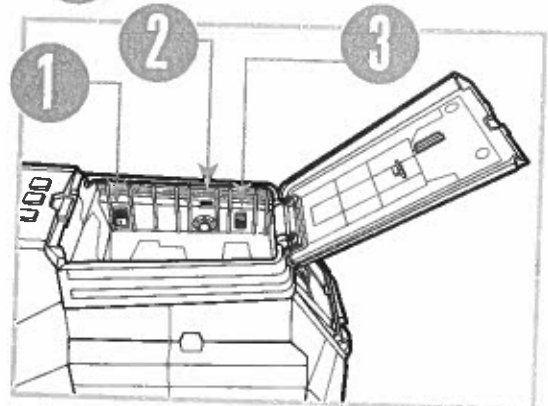
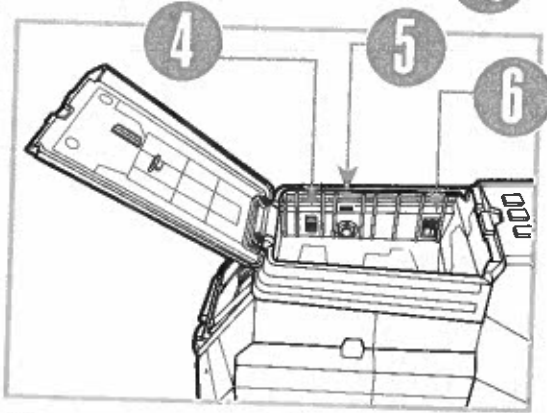
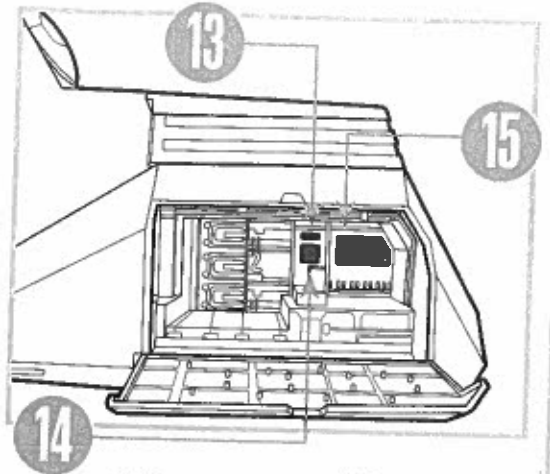
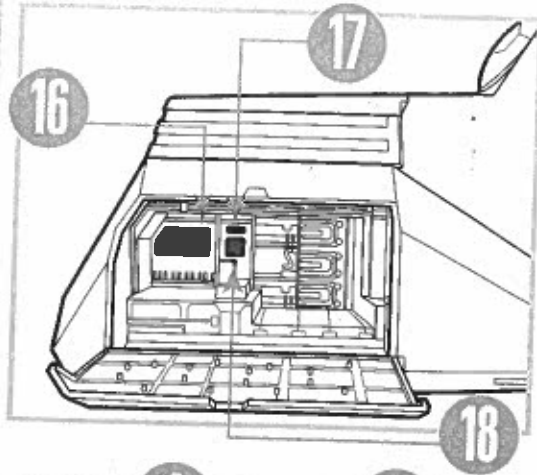
Attach canister piece as shown.

Attach forward cannon pods to main body.



Slide On/Off switch to ON to play with the vehicle. When vehicle is not in use, slide switch to OFF to help conserve battery life.

PEEL AND APPLY LABELS AS SHOWN.



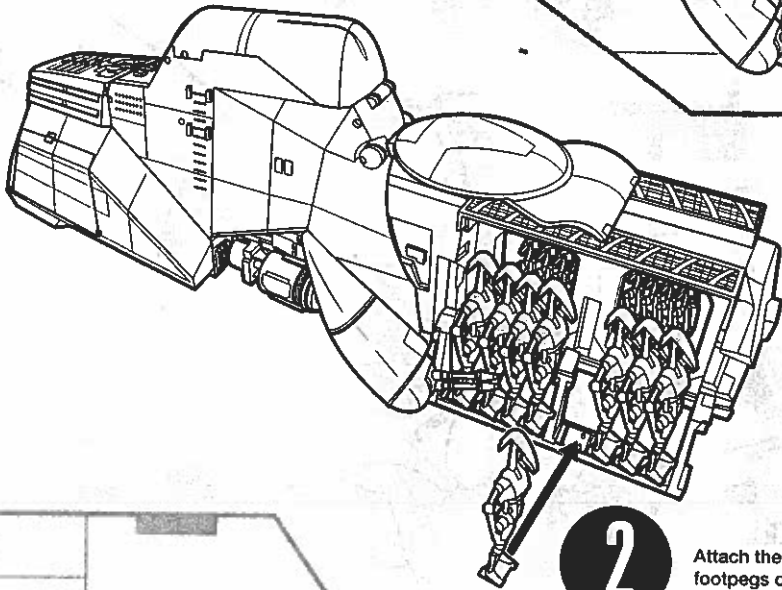
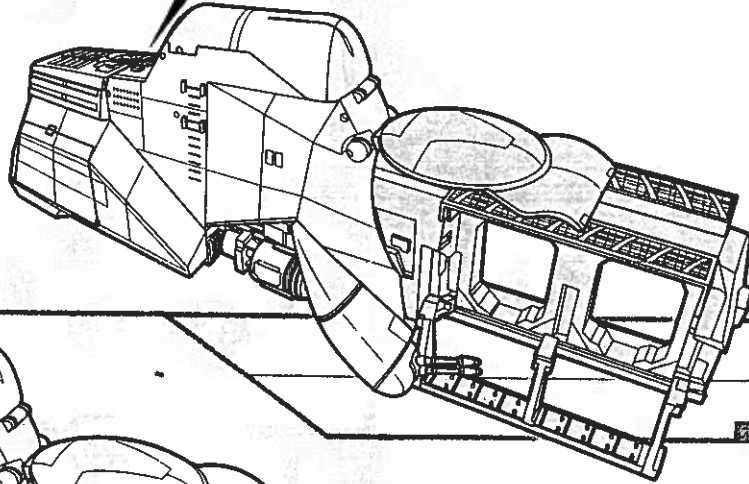
When vehicle is
battery life.

OPERATION:



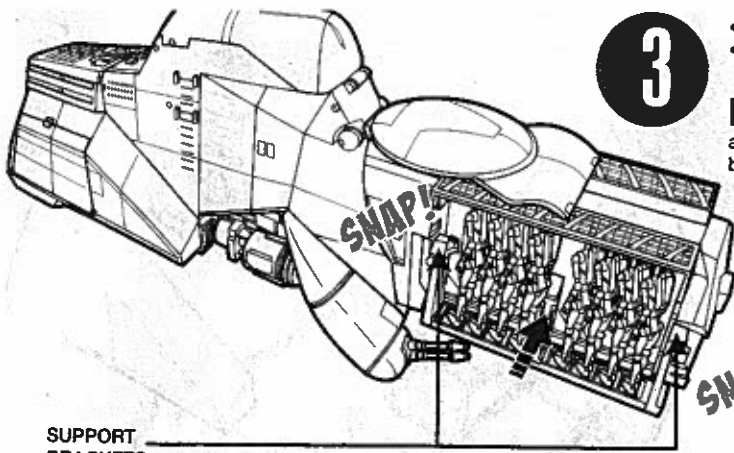
1

Press the "extend" button for automatic deploy function: the deployment rack slides out, the platforms swing down, and the shields swing up.



2

Attach the 16 battle-posed droids to the footpegs on the platforms.

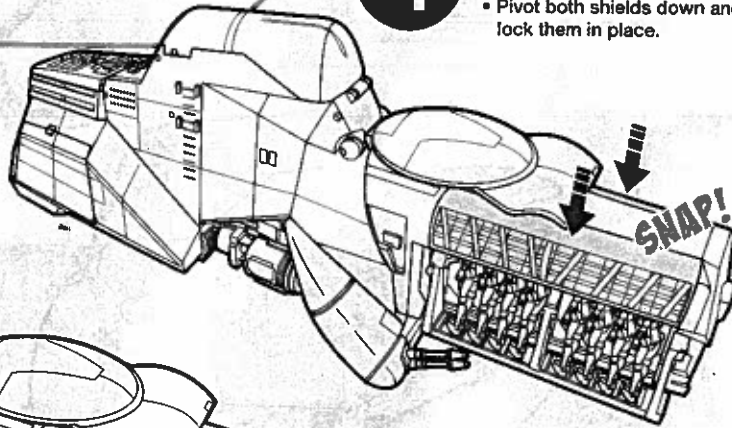


3

- Manually raise the platforms up.
- Push in the support brackets to secure the platforms into the deployment rack.

NOTE: Make sure all the droids and accessories are completely inside the rack before pressing the retract button.

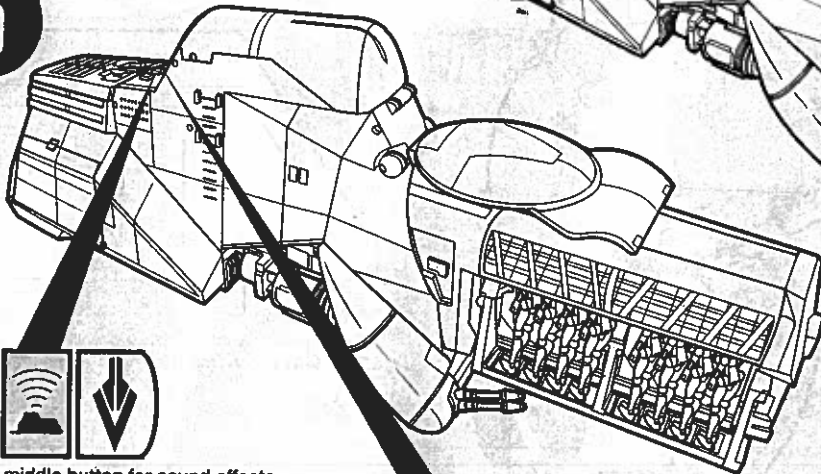
SUPPORT BRACKETS



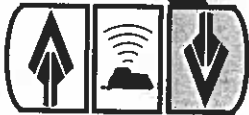
4

- NOTE:** Make sure you do Steps 3 and 4 in the order shown.
- Pivot both shields down and lock them in place.

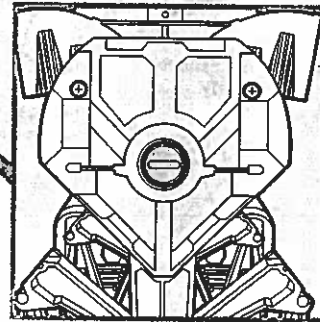
5



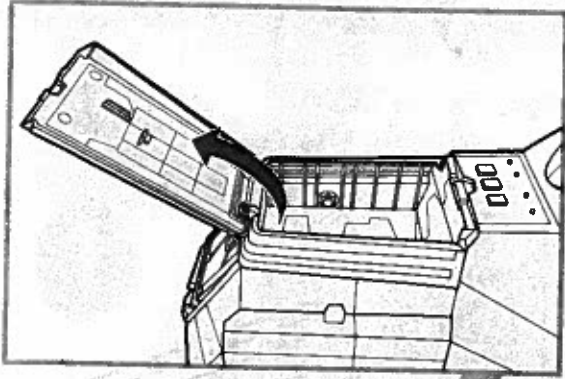
Press the middle button for sound effects:
Short press for battle sounds and droid dialogue.
Long press for engine sounds.



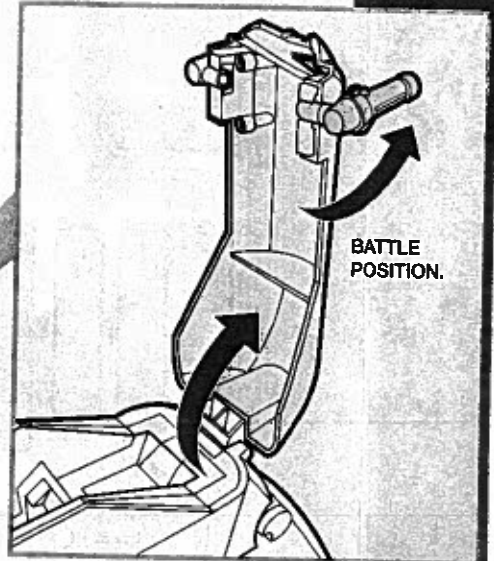
From this position, you can either retract the deployment rack or deploy the droids.
To retract the rack: Press the "retract" button - the rack automatically slides into the vehicle.



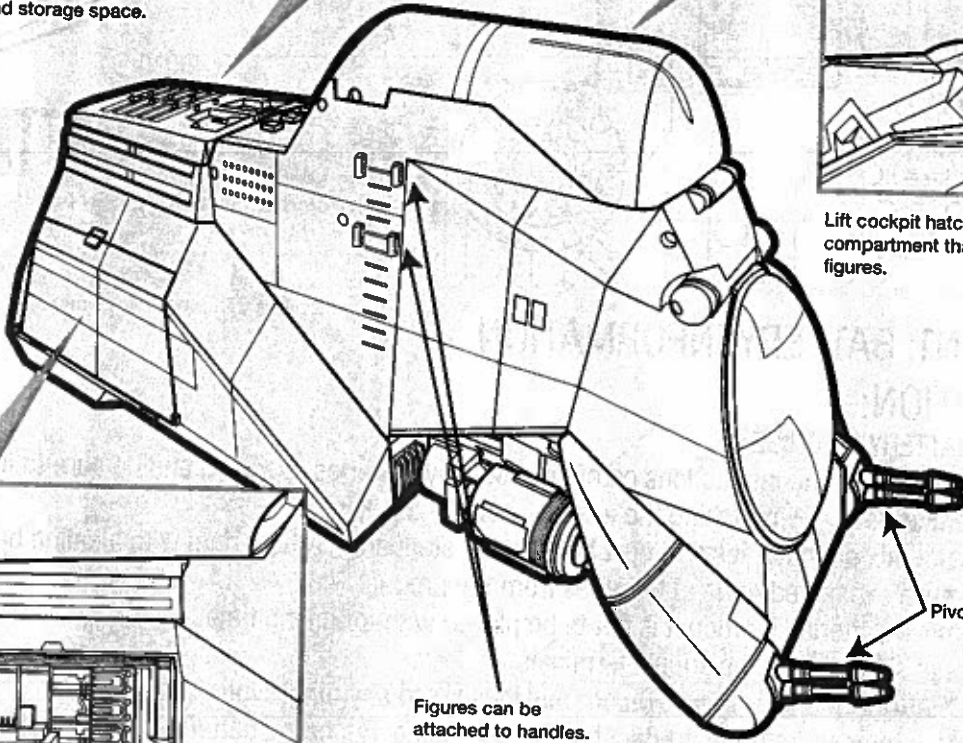
To deploy the droids: Press the button on the end of the rack.



The top rear hatch and side hatches open for more transport and storage space.



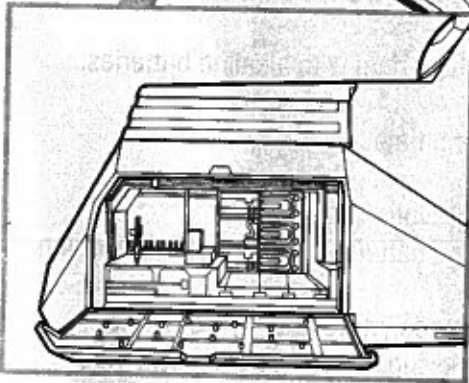
BATTLE POSITION.



Lift cockpit hatch to access droid compartment that can hold 3 figures.

Pivoting cannons.

Figures can be attached to handles.



Racks inside side compartment can hold 5 blaster rifles per side.

FCC'S

This device must always be used responsibly. This equipment should be used in accordance with the following instructions:

- Read the manual
- Increase the volume
- Consult the manual for more information

CAUTION: Use responsibly.





ATTLLE
POSITION.

2

Press the buttons to fire.



Place a figure on the platform to use it as a command tower.

1

Insert the missiles into the launchers.

TROUBLESHOOTING TIPS:

If the rack will not extend or retract and you hear a clicking noise:

- Press the center "sound" button to stop the clicking noise.



- Remove any objects that may be preventing the rack from moving.
- Repeat Steps 3 and 4 to resume operation.

If the rack will not retract and you hear an electronic "alert" sound:

- Repeat Steps 3 and 4 to resume operation.

FCC STATEMENT

This device complies with part 15 of the FCC Rules. Operation is subject to the following two conditions: (1) This device may not cause harmful interference, and (2) this device must accept any interference received, including interference that may cause undesired operation. This equipment has been tested and found to comply with the limits for a Class B digital device, pursuant to part 15 of the FCC Rules. These limits are designed to provide reasonable protection against harmful interference in a residential installation. This equipment generates, uses and can radiate radio frequency energy, and if not installed and used in accordance with the instructions, may cause harmful interference to radio communications. However, there is no guarantee that interference will not occur in a particular installation. If this equipment does cause harmful interference to radio or television reception, which can be determined by turning the equipment off and on, the user is encouraged to try to correct the interference by one or more of the following measures:

- Reorient or relocate the receiving antenna.
- Increase the separation between the equipment and receiver.
- Consult the dealer or an experienced radio/TV technician for help.

CAUTION: Changes or modifications not expressly approved by the party responsible for compliance could void the user's authority to operate the equipment.



37905

Some poses may require additional support.

Product and colors may vary.

© 2012 Lucasfilm Ltd. & © or TM where indicated. All rights reserved.

® and/or TM* & © 2011 Hasbro. All Rights Reserved.

TM & © denote U.S. Trademarks. PN: 7261010000