

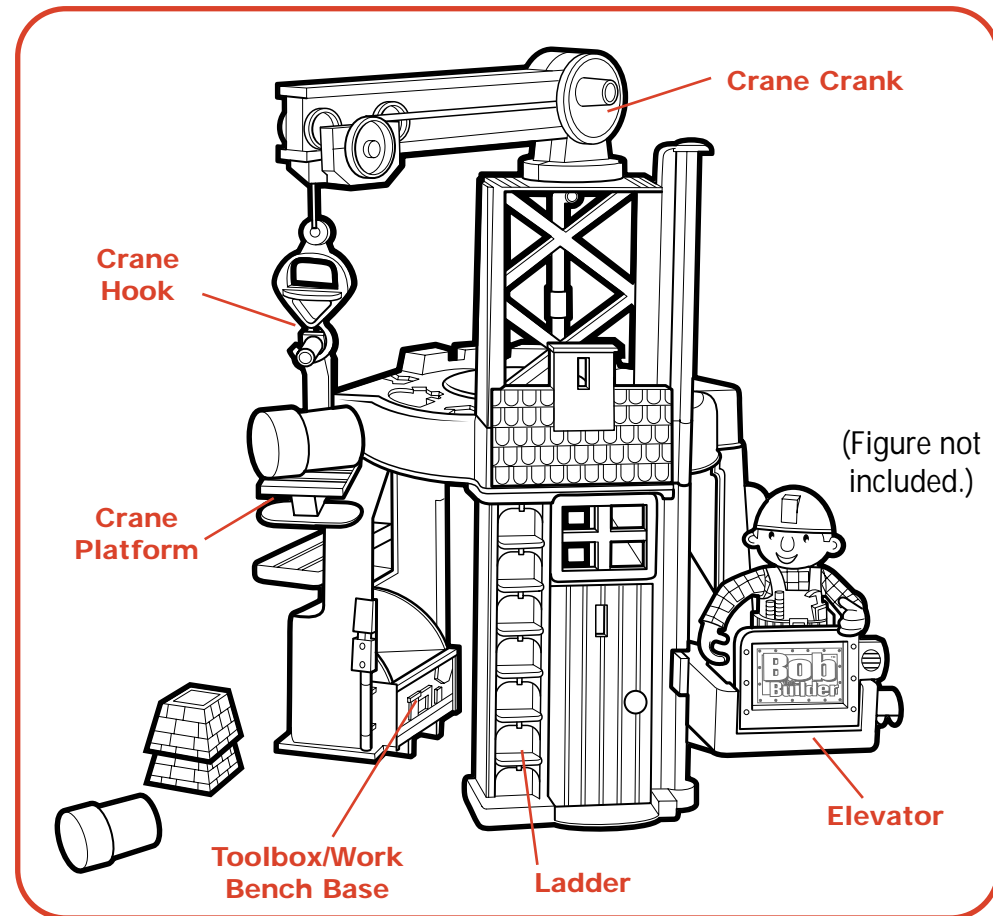
PLAY FEATURES

Just like Bob the Builder™, preschoolers can enjoy building and fixing fun with this action-packed playset! Best of all, kids can sit on top of the playset and really get into the action!

- Hear 4 electronic phrases plus the Bob the Builder™ theme song!

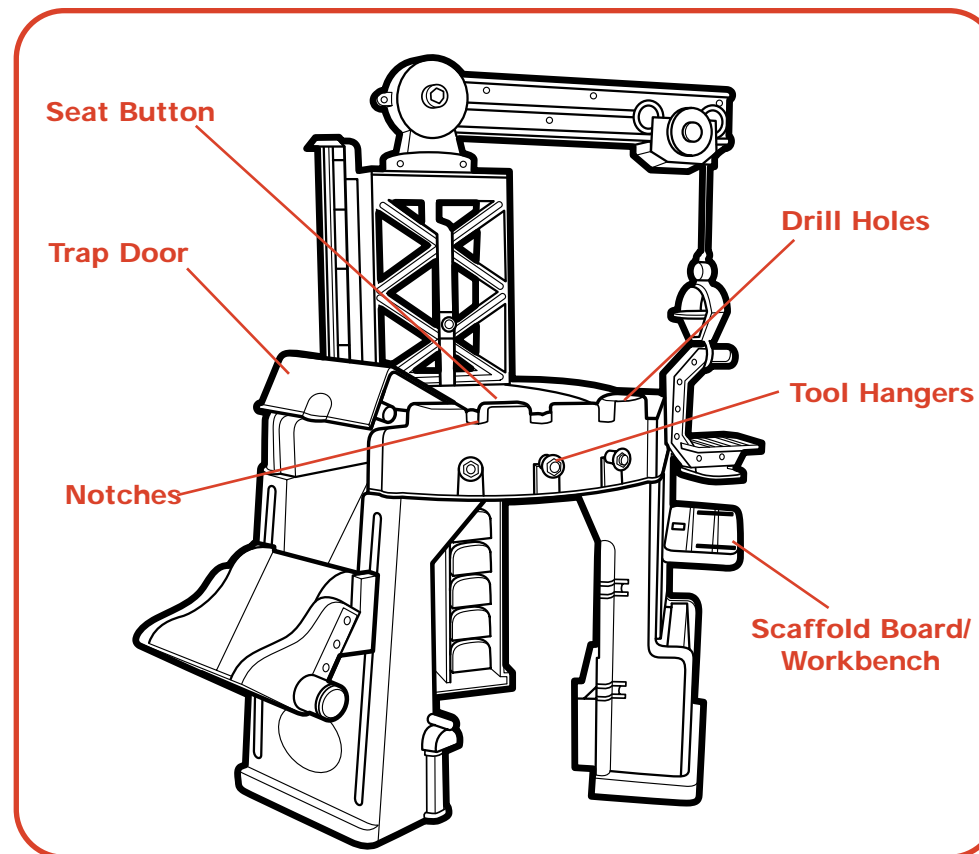
To activate sounds:

- Press the seat button!
- Press the foot-shaped button inside the crane tower!
- Lift the trap door!
- Turn the crane crank!



- Working crane lifts bricks, pipes and other parts!
 - Turn the crane crank clockwise to raise the hook; counterclockwise to lower it!
 - Use the crane platform to lift heavy loads!
 - All accessories have slots that fit the crane hook! Give 'em a lift!
- Lift and lower the elevator!
- Open the trapdoor and watch the bricks and pipes slide down the chute and into the lift bucket! Or, place a load in the lift bucket, open the trap door, and drop the load down and out of the chute!
- Open the workshop door and store things inside the toolbox! Or play in Bob's workshop. The scaffolding board even turns into a workbench by placing it on top of the workbench base!

- Playset is designed for lots of play with Adventure Bob™* figures (not included).
 - Go for a lift! Fit an Adventure Bob™* figure's foot into the opening above the crane hook. Wind up the crane and watch Bob rise to the top!
 - Climb the ladder! Fit an Adventure Bob™* figure's foot into the rungs on the ladder on the side of the house!
 - Ride the elevator! Place an Adventure Bob™* figure in the elevator and take him for a ride all the way to the top of the crane!
 - Place an Adventure Bob™* figure inside the crane tower...he can activate sounds by standing on the button!



- There are even lots of areas for fix n' fun tool play with Adventure Bob™* figures.
 - Pretend to "drill" holes with the Adventure Bob™* Drill 'n Fix™* drill (not included).
 - "Cut into the wood" with the Adventure Bob™* Tunnel Rescue™* chainsaw (not included).
 - Then after a hard day's work, you can store tools (not included) on the tool hangers!

www.bobthebuilder.com

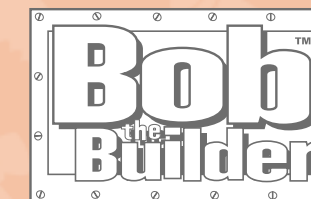


©HIT Entertainment PLC and Keith Chapman 2002
 Music composed by Paul K. Joyce. Music published by Hit Entertainment PLC/EMI Blackwood Music Inc.
 ®* and/or ™* & © 2002 Hasbro, Pawtucket, RI 02862 USA. All Rights Reserved.
 6601 P/N 6159840000

HASBROPRESCHOOL.COM
 FOR NEW PRODUCTS AND OFFERS
 Questions? Call: 1-800-PLAYSKL

AGES 3+

6601

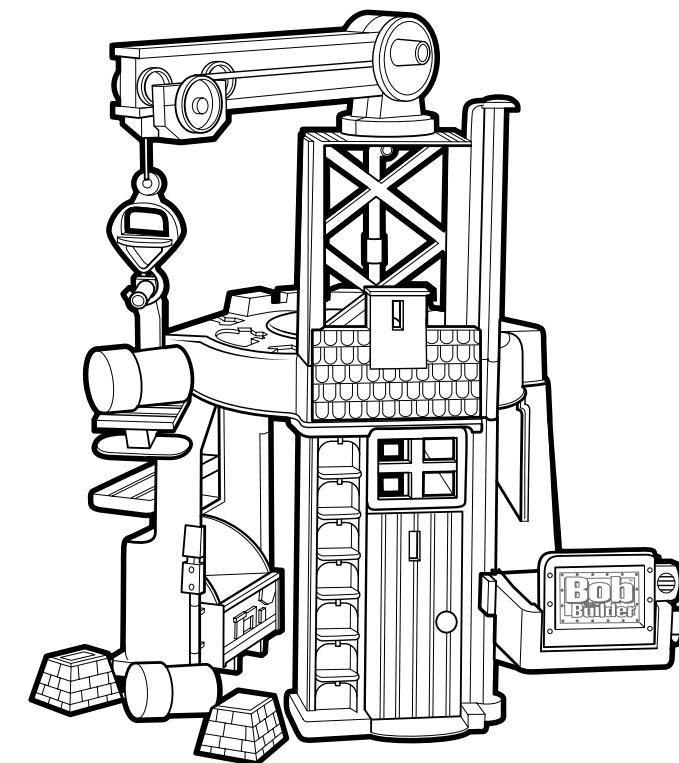


**Adventure Bob's
 Construction Site™***



Thank you for choosing the Adventure Bob's Construction Site™* playset!

Requires 2 "AA" alkaline batteries (not included).
 Phillips screwdriver (not included) required for battery installation and assembly.
 Adult assembly required.

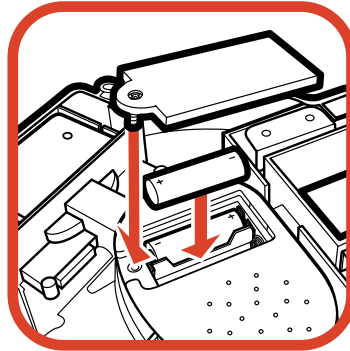


PARTS LIST

- | | | |
|------------------|----------------------|---------------------|
| • Seat | • House | • House Door |
| • Workshop | • Lift Leg | • Crane |
| • Crane Platform | • Tower | • Trap Door |
| • Workshop Door | • Elevator | • Elevator Door |
| • Drainpipe | • Elevator Connector | • Scaffolding Board |
| • Roof | • Pipes (2) | • Brick Bundles (2) |
| • Large Window | • Small Window | • Label Sheet |
| • 4 Screws | | |

BATTERY INSTALLATION

Use a Phillips screwdriver to loosen screw in battery compartment door (screw remains attached to door). Remove door. Insert 2 fresh "AA" alkaline batteries as indicated. Replace door and tighten screw.



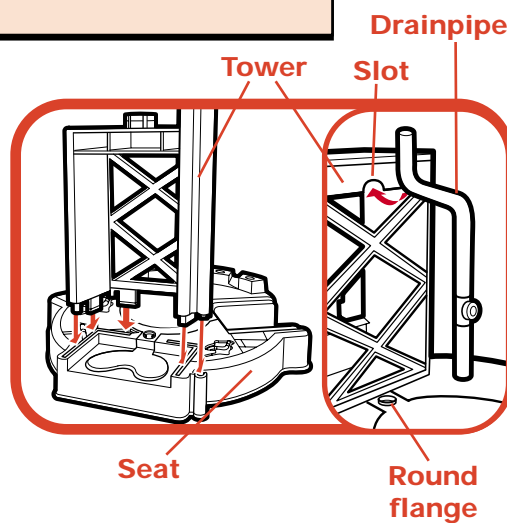
⚠ CAUTION: TO AVOID BATTERY LEAKAGE

- 1) Be sure to insert the batteries correctly and always follow the toy and battery manufacturers' instructions;
- 2) Do not mix old and new batteries or alkaline, standard (carbon-zinc) or rechargeable (nickel-cadmium) batteries;
- 3) Always remove weak or dead batteries from the product.

ASSEMBLY

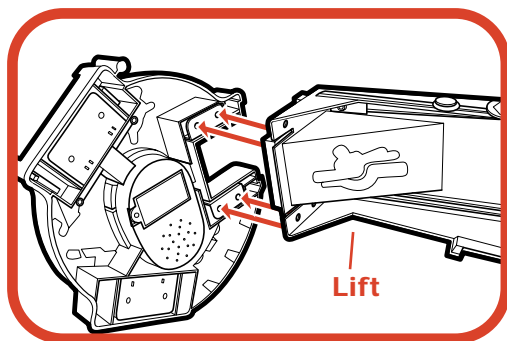
1. TOWER

- Align tabs and posts on tower with slots and holes in seat. Snap tower into place.
- Tighten 4 screws through underside of seat to secure tower to seat.
- Insert drainpipe through slot and into hole under tower roof. Be sure bottom end of drainpipe is inserted into round flange on seat.



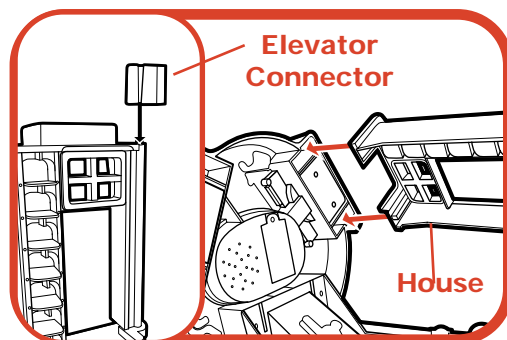
2. LIFT

- Align lip and squares on lift with slots and squares on underside of seat, and snap lift into place.



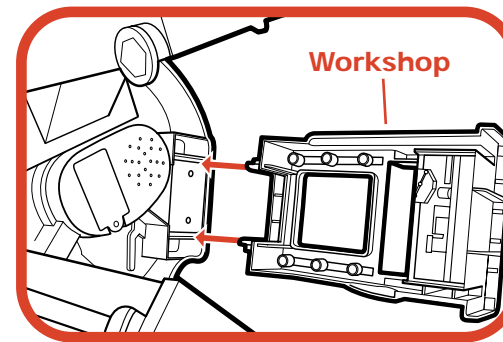
3. HOUSE

- Slide elevator connector onto side rail on house. **Be sure to do this before installing house.**
- Align lip on house with inside square on seat, and align side rail on house with side rail on tower. Snap house into place.



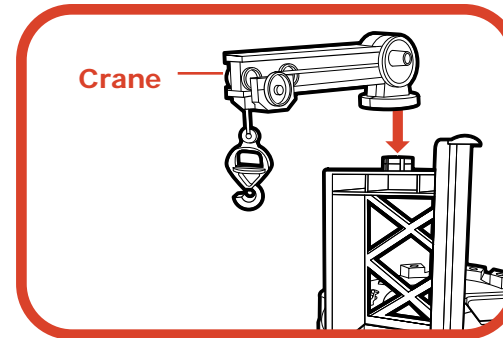
4. WORKSHOP

- Align lip on workshop with square on seat, and snap workshop onto seat.



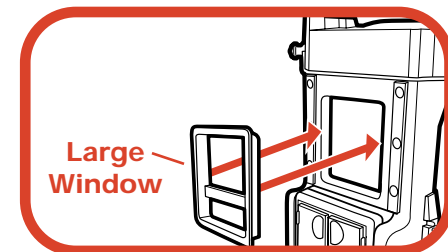
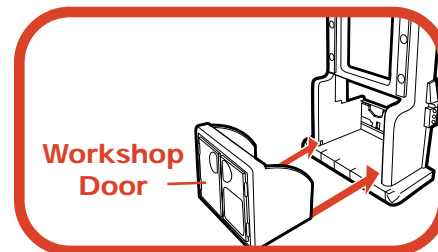
5. CRANE

- Snap crane onto tower.

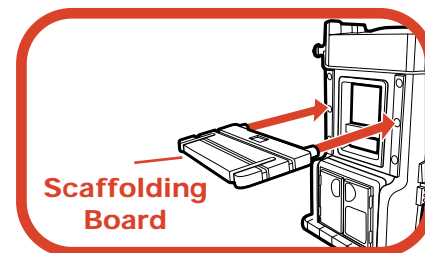


6. WORKSHOP DOOR, WINDOW, SCAFFOLDING BOARD

- Fit workshop door onto workshop (bumps into holes).
- Fit large window into area above workshop door.



- Fit posts on scaffolding board into holes on the side of the large window. (Fit board into any of the 3 sets of holes.)

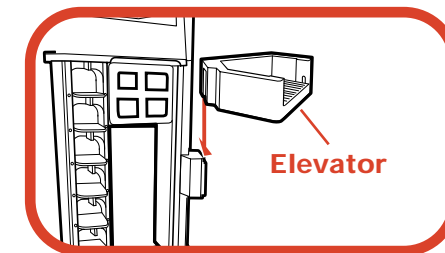


7. HOUSE DOOR, ELEVATOR, WINDOW

- Insert bottom bump on house door into bottom hole in house doorway, then snap top bump into top recess on house doorway.



- Slide tabs on elevator connector into grooves on elevator to attach elevator.



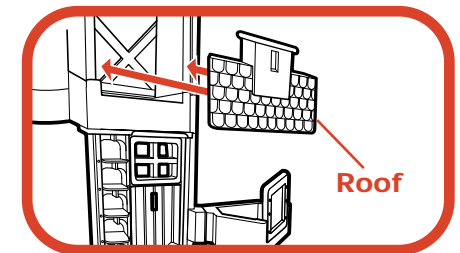
- Fit small window into area above top of door.



- Fit elevator door onto elevator (bumps into holes).

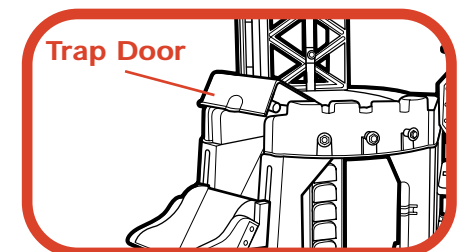
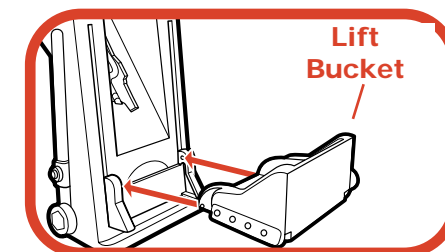


- Fit roof onto bottom of crane tower.



8. LIFT BUCKET & TRAP DOOR

- Fit lift bucket onto lift bracket (bumps into holes).
- Fit trap door onto seat (bumps into holes).



LABEL PLACEMENT

Peel and apply labels as shown.

