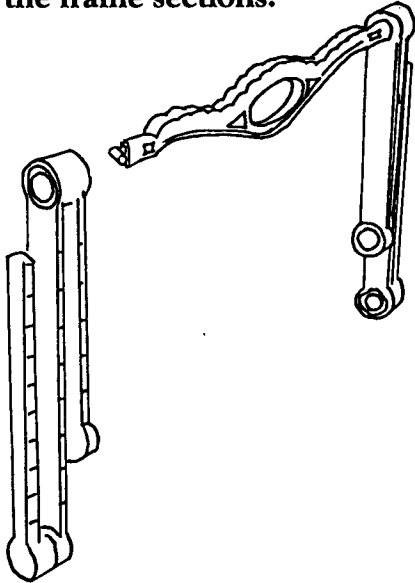


Baby GoNiteNite

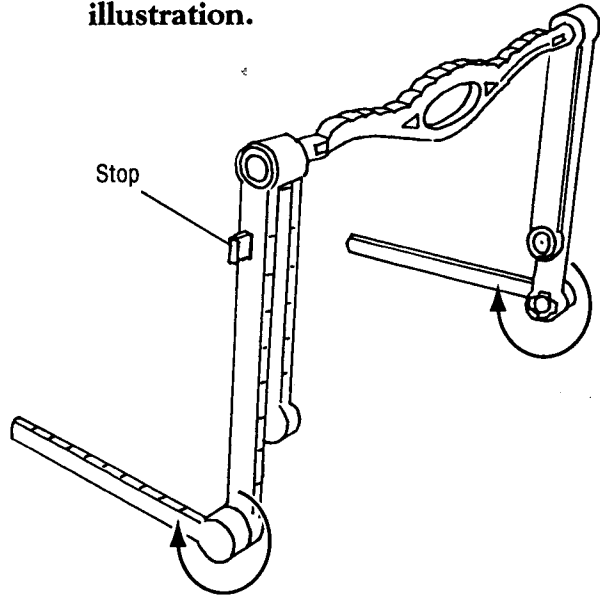
How To Assemble Bedside Crib

C5649/65648

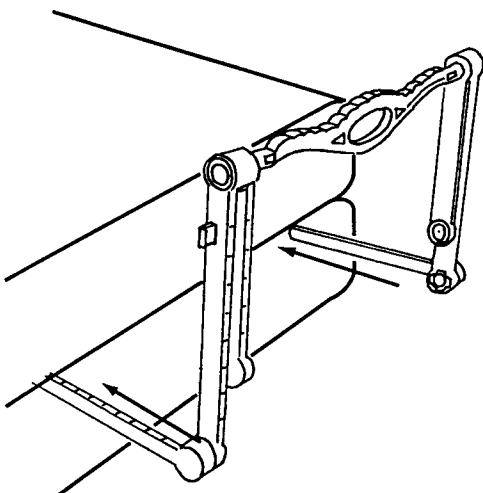
- 1.** Position frame sections and handle as shown. Insert the ends of the handle into the frame sections.



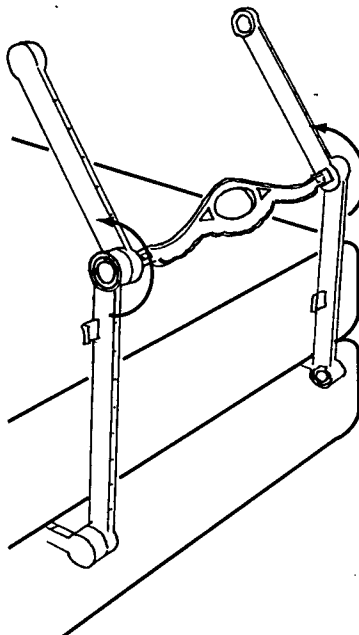
- 2.** Rotate the lower sections of the frame in the direction of the arrow away from the "stops" until they are as you see in this illustration.



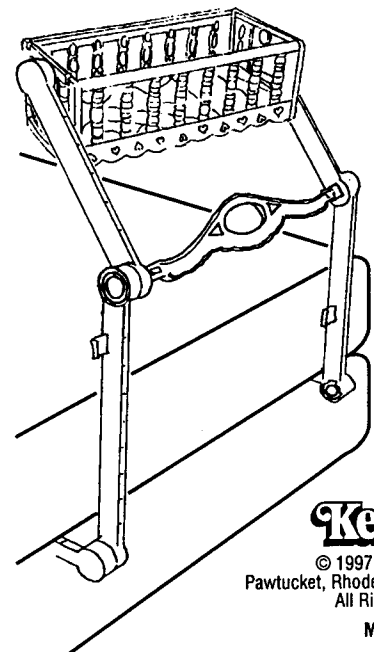
- 3.** Insert the lower ends of the frames in between the box spring and the mattress.



- 4.** Now you can rotate the upper sections of the frame in the direction of the arrows.



- 5.** Attach the crib to the frame as shown.



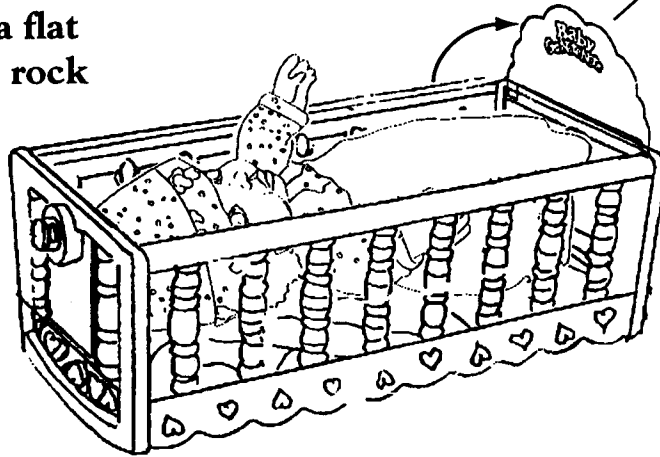
Kenner[®]

© 1997 HASBRO, INC.
Pawtucket, Rhode Island 02862.
All Rights Reserved.

MADE IN CHINA
542925.00

Rocking Cradle

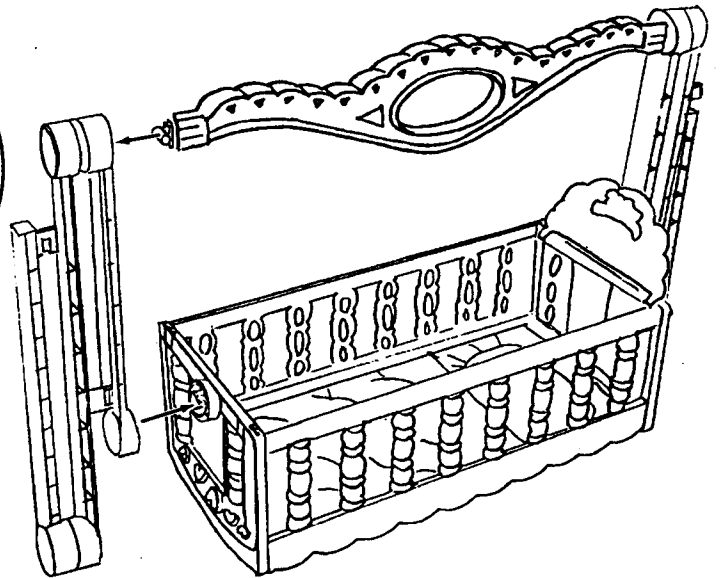
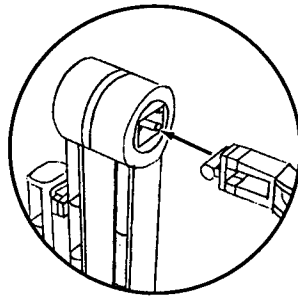
Place the cradle on a flat surface and you can rock your baby to sleep.



Glow-in-the-dark "night light" can be manually raised as shown. Expose to light source for glow-in-the-dark effect.

Baby Carrier

Insert the ends of the handle into the frame to form a carrier.



Changing Table

Turn the cradle over and it becomes a changing table.

