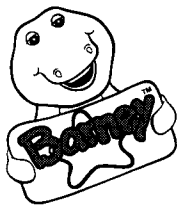
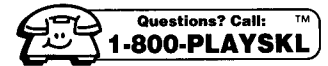


PLAYSKOOL



Musical Walk 'n Ride

Ages 1-3
Weight Limit: 40 lbs.



For future reference, our toll-free consumer service number is also located on this product.

Take Barney and Baby Bop™ along for a ride on this colorful, free-rolling vehicle from Playskool! It's a walker for toddlers, a ride-on for preschoolers and St-u-u-u-pendous fun for everyone! A light-up carousel plays Barney's theme song as Barney and Baby Bop™ go 'round and 'round! Also includes a working steering wheel with a squeaker horn and a special underseat storage compartment for toys! With the Musical Walk 'n Ride, the good times roll on and on!

WARNING: Contains small parts which may present a choking hazard to children under three.

ASSEMBLY INSTRUCTIONS

PLEASE KEEP THIS GUIDE AND ALL LITERATURE FOR FUTURE REFERENCE

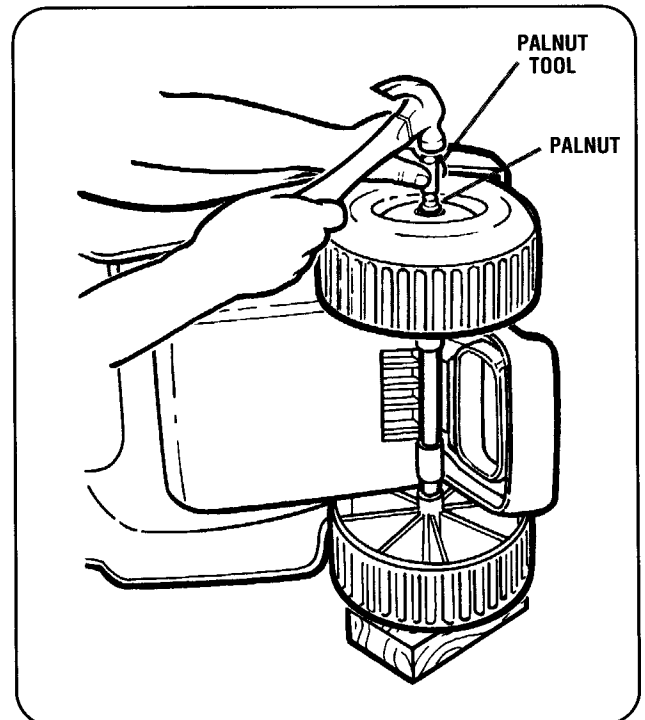
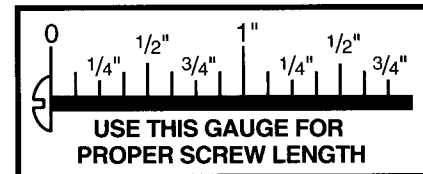
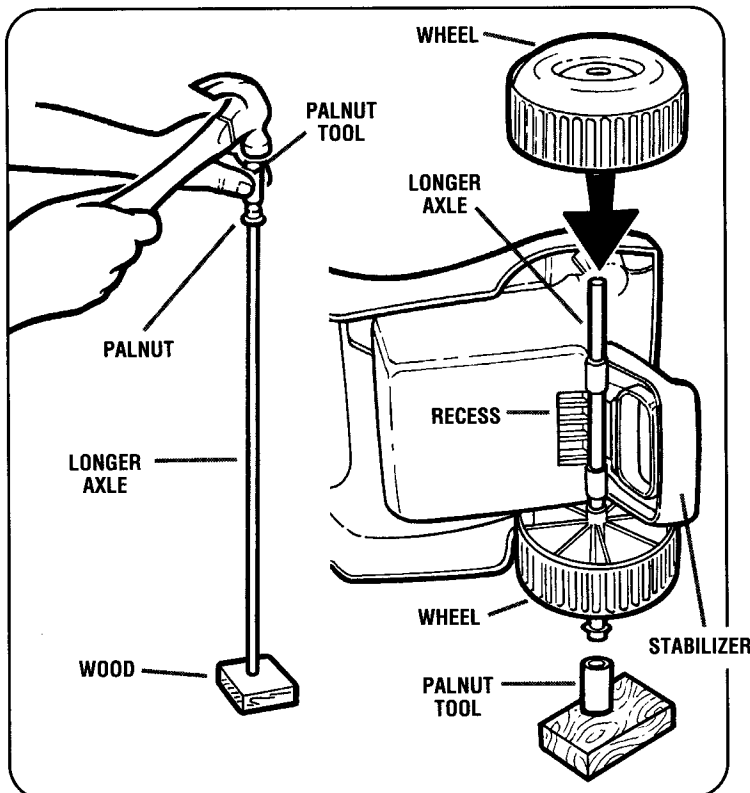
Adults Please Note: This product should be assembled by an adult. Periodically check all hardware to be sure it is secure.

Please read instructions prior to assembly. Study each step carefully to familiarize yourself with procedure and parts. Refer to back page for illustrated parts list.

TOOLS NEEDED FOR ASSEMBLY (NOT INCLUDED): Phillips® screwdriver, hammer, small block of wood.

CAUTION: ADULT SUPERVISION AND INSTRUCTION REQUIRED REGARDING THE PROPER USE OF THIS TOY. THIS RIDE-ON TOY SHOULD NOT BE USED NEAR SWIMMING POOLS, ON OR NEAR HILLS, ROADWAYS, SLOPED DRIVEWAYS, ALLEYS OR STEPS. SHOES MUST BE WORN AT ALL TIMES. ONLY ONE RIDER AT A TIME. DO NOT RIDE AFTER DARK. DO NOT CARRY ANYTHING, PARTICULARLY OBJECTS THAT IMPAIR VISION, WHILE RIDING THIS TOY. DO NOT LEAVE CHILD UNATTENDED WHILE RIDING THIS TOY.

STEP 1. REAR WHEEL ASSEMBLY



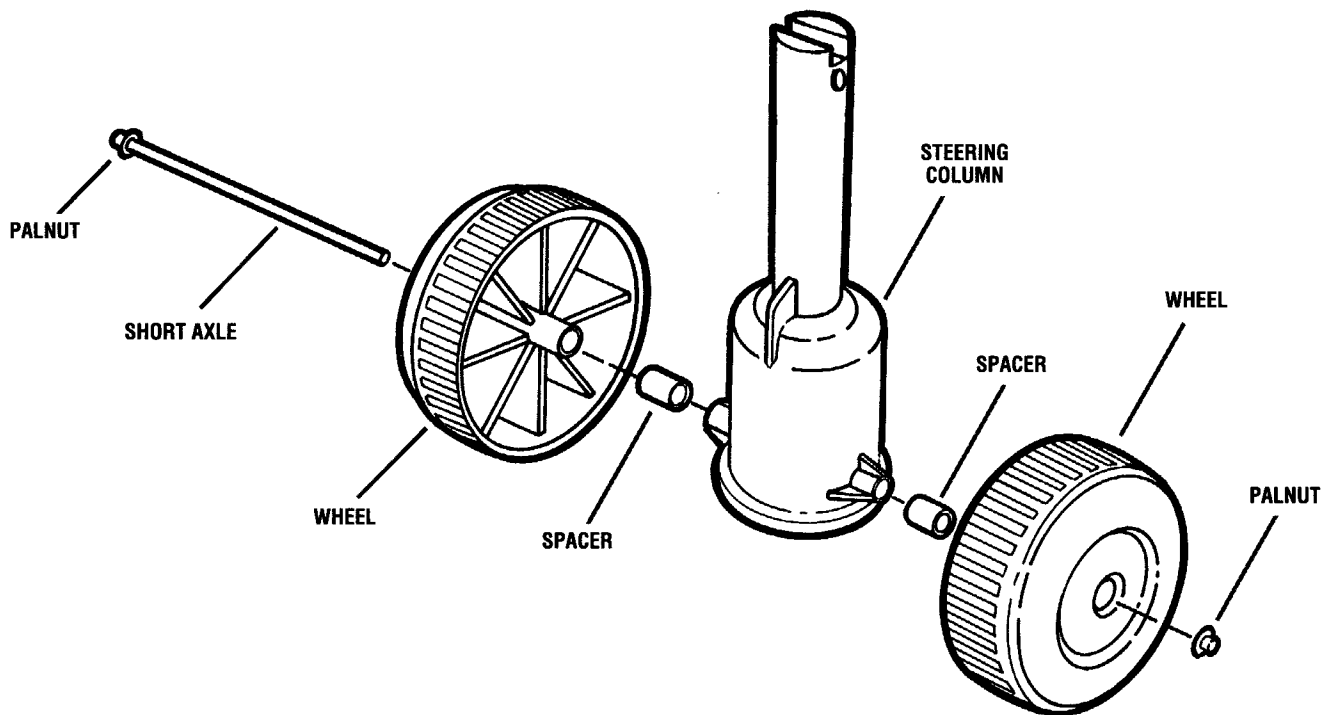
Place the rear axle onto a small block of wood as shown. Be sure to use the **longer** of the two axles. Position Palnut® over axle end and the Palnut tool over the Palnut. Secure Palnut to axle by striking the tool with a hammer.

Seat the stabilizer (ribbed side facing out) in recess located at rear of vehicle. Slide the axle through the outside side of one wheel. Push axle through holes in body as shown. Place Palnut tool on block of wood. Put vehicle on its side, so the Palnut that is already installed on axle fits into Palnut tool on block of wood.

Note: Stabilizer must be installed to prevent ride-on from tipping.

Place second rear wheel onto axle. Use hammer and second Palnut tool to gently tap Palnut onto end of axle.

STEP 2. FRONT WHEEL ASSEMBLY



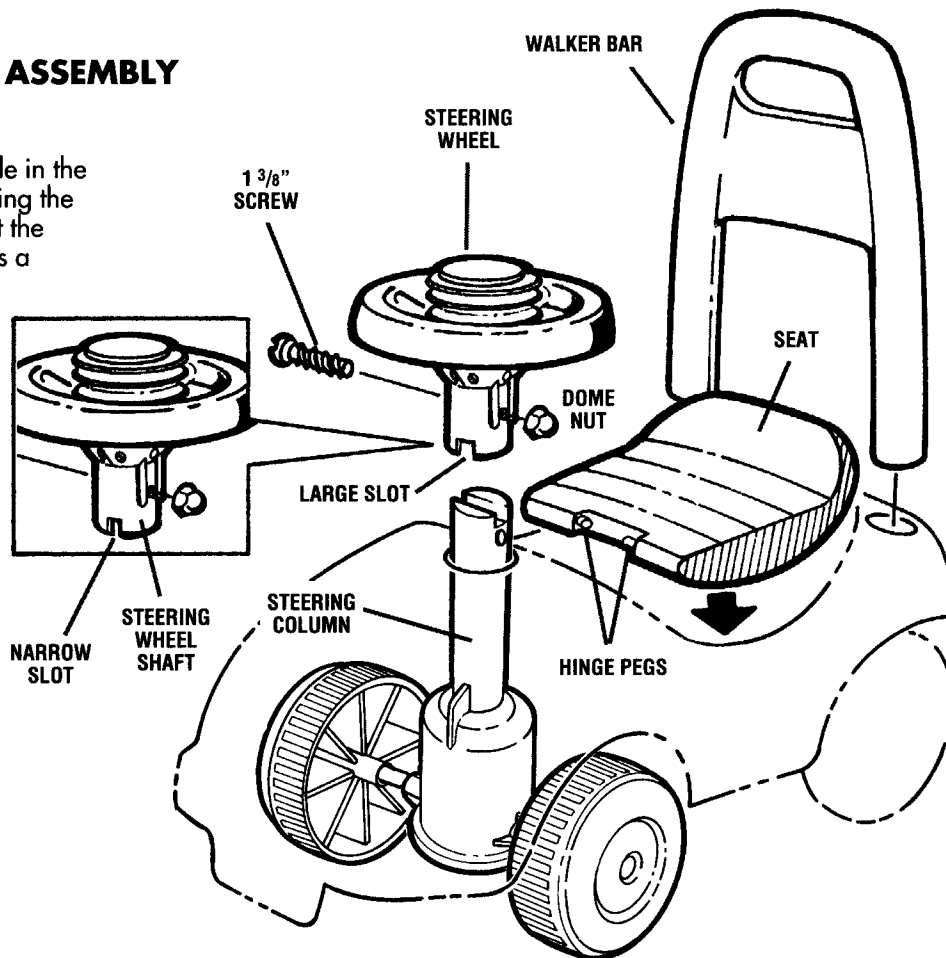
Place the short axle onto a small block of wood and secure Palnut as described in Step 1. Slide the axle through the outside of one wheel and spacer. Push axle through holes in steering column (see illustration). Place Palnut tool on block of wood. Put steering column assembly on its side, so the Palnut that is already installed on axle fits into Palnut tool on block of wood. Place the second spacer and front wheel onto axle. Use hammer and second Palnut tool to gently tap Palnut onto end of axle.

STEP 3. STEERING COLUMN ASSEMBLY

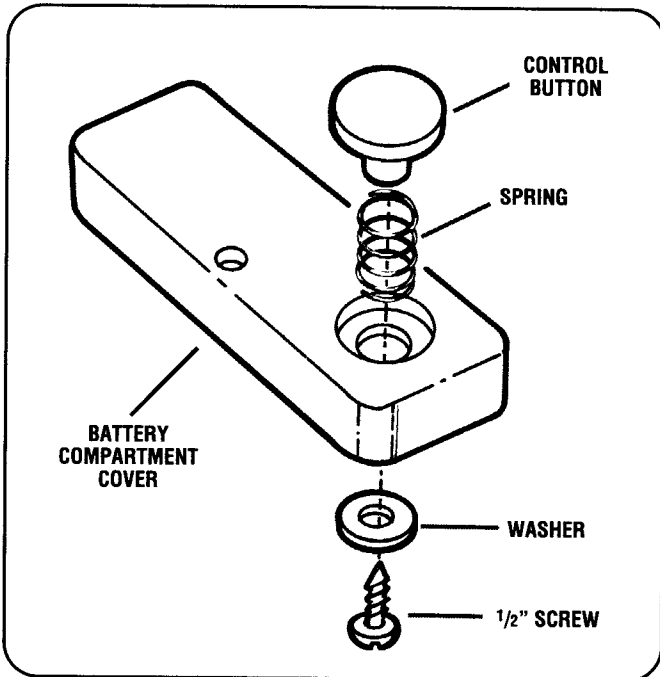
Insert the steering column through the hole in the body of the rider as shown. Before securing the steering wheel to the column, note that at the bottom of the steering wheel shaft there is a large slot and a narrow slot. When the large slot faces the front (as shown), the steering wheel is less mobile (better for younger children). As the child gets older, the steering wheel can be turned so that the narrow slot faces forward, allowing for greater movement.

Secure the steering wheel shaft to the steering column, using the $1\frac{3}{8}$ " screw and dome nut provided.

Align hinge pegs on seat with holes on body and snap into place. Then, push the rear handle support into the holes as shown.

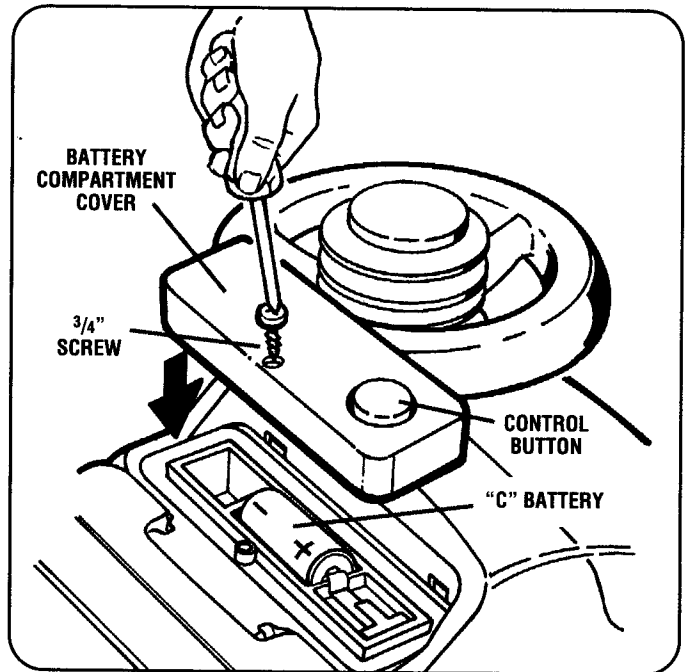


STEP 4. CONTROL BUTTON INSTALLATION



Align button and spring as shown. Push through top of battery compartment cover. Attach with 1/2" screw and washer.

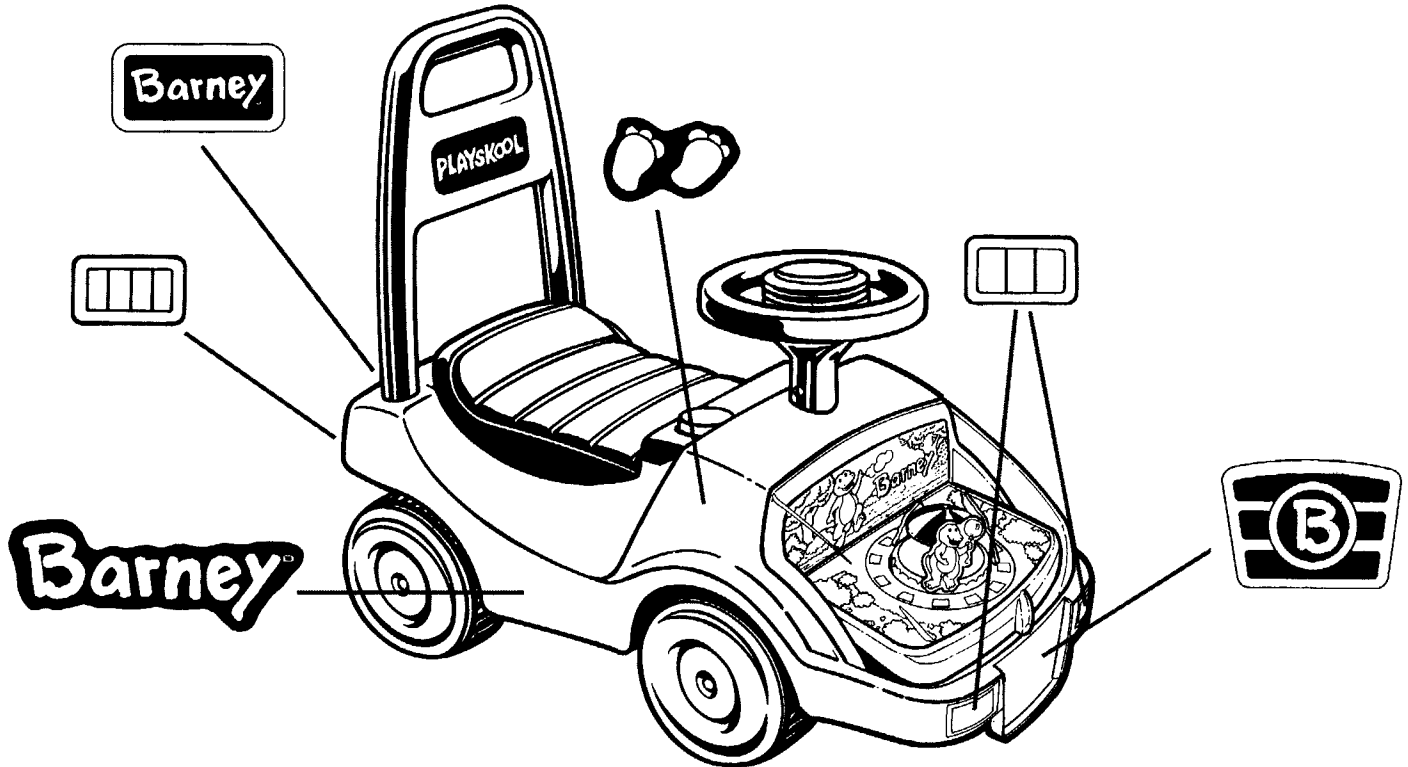
STEP 5. BATTERY AND BATTERY COMPARTMENT COVER INSTALLATION



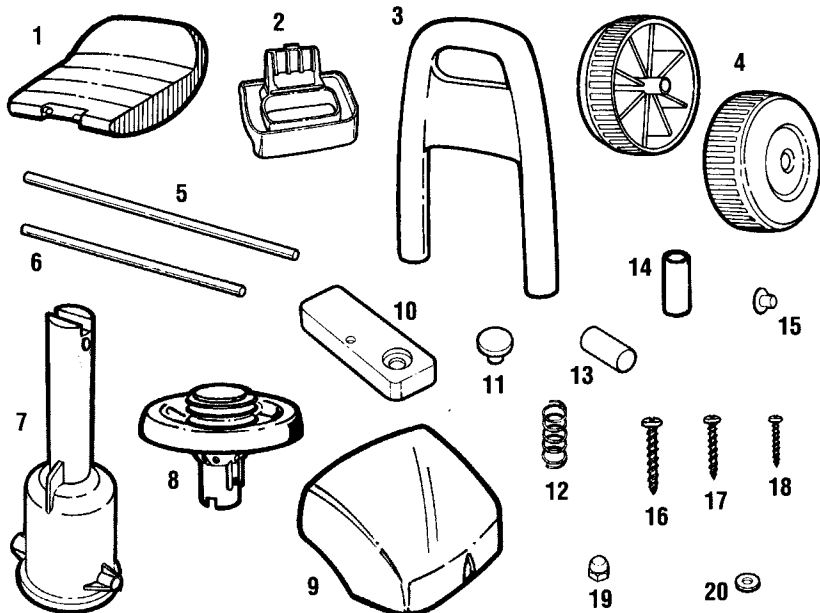
Install a "C" battery in the position shown. Install the battery compartment cover, using 3/4" screw as shown. To activate the musical carousel and light, simply push the control button.

STEP 6. DECAL APPLICATION

Using a clean, dry cloth, wipe the areas to which the decals are to be applied. Then, peel off the decals one at a time from the decal sheet and place them as shown.



IMPORTANT: DECALS HAVE QUICK-SETTING ADHESIVE. BE SURE OF POSITION BEFORE APPLYING. DECALS CANNOT BE LIFTED AFTER SETTING.



**Replacement Parts Order Form
PARTS DIAGRAM FOR
Barney® Musical Walk 'n Ride
Model 50100**

Please check all parts carefully before assembly.

- | | |
|-------------------------------|---|
| 1. SEAT | 12. SPRING |
| 2. STABILIZER | 13. SPACERS (2) |
| 3. WALKER BAR | 14. PALNUT TOOLS (2) |
| 4. WHEELS (4) | 15. PALNUTS® (5) |
| 5. REAR AXLE | 16. 1 ³ / ₈ " SCREW |
| 6. FRONT AXLE | 17. 3/4" SCREW |
| 7. STEERING COLUMN | 18. 1/2" SCREW |
| 8. STEERING WHEEL WITH HORN | 19. DOME NUT |
| 9. CLEAR HOOD | 20. WASHER |
| 10. BATTERY COMPARTMENT COVER | 21. DECAL SHEET (NOT SHOWN) |
| 11. CONTROL BUTTON | |

If you have any questions, comments, or need additional information concerning this product or its parts, please call our Playskool Consumer Service hotline at 1-800-PLAYSKL (1-800-752-9735), Monday through Friday, 8:00 AM to 5:00 PM Eastern Time.

All written inquiries should be mailed to: Playskool Consumer Service Department, P.O. Box 200, Pawtucket, Rhode Island 02862-0200

ITEM NO.	DESCRIPTION	PART NO.
1	Seat	40360701
2	Stabilizer	40360901
3	Walker Bar	40360801
4	Wheel	40360101
5	Rear Axle	40360500
6	Front Axle	40360600
7	Steering Column	40366800
8	Steering Wheel with horn	42445601
9	Clear Hood	40360201
10	Battery Compartment Cover	40360301
11, 12, 13 14, 15, 16 17, 18, 19, 20	Prepack Bag - Control Button, Spring, (2) Spacers, (2) Palnut Tools, (5) Palnuts, 1 ³ / ₈ " Screw, 3/4" Screw, 1/2" Screw, Dome Nut, Washer	40367003
15, 16, 17 18, 19, 20	Hardware Bag - (5) Palnuts, 1 ³ / ₈ " Screw, 3/4" Screw, 1/2" Screw, Dome Nut, Washer	44234800
21	Decal Sheet	44449100

Palnut® is a registered trademark of TRW, Inc. All Rights Reserved.

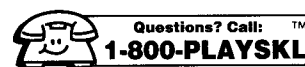
© 1993 The Lyons Group. "Barney™" and "Baby Bop™" are trademarks of The Lyons Group.

© 1993 Playskool, Inc., Pawtucket, RI 02862 USA, a subsidiary of Hasbro, Inc. All Rights Reserved.

® denotes Reg. U.S. Pat. & TM Office.

BATTERY CLIP AND CAROUSEL ASSEMBLY MADE IN CHINA. ALL OTHER PARTS MADE IN THE USA.

50100 P/N 44503100



For future reference, our toll-free consumer service number is also located on this product.