

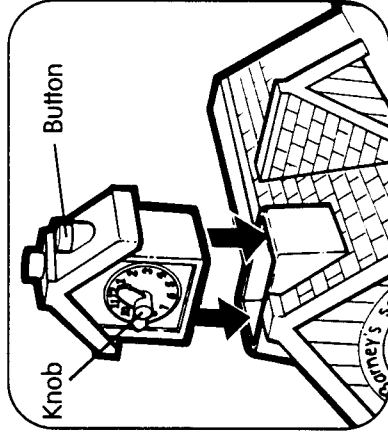
Schoolhouse Instructions

Ages 2 & Up



Includes schoolhouse, school bus, Barney™ and Baby Bop™ figures,
4 students, easel, play table, seesaw, slide, swing and 1 piece of chalk.

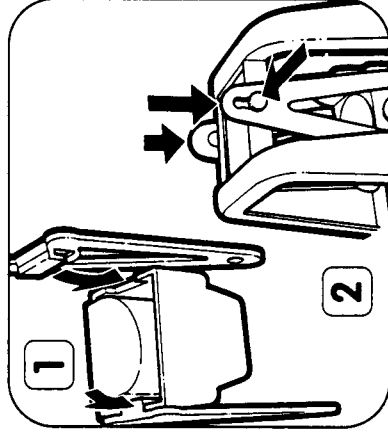
CLOCK ASSEMBLY



Insert Clock Tower (face forward) into the roof opening. Push down until it snaps into place.

Turn knob on clockface to move hour and minute hands-clock will make a clicking sound. Press the button on the roof above the clock to ring the bell.

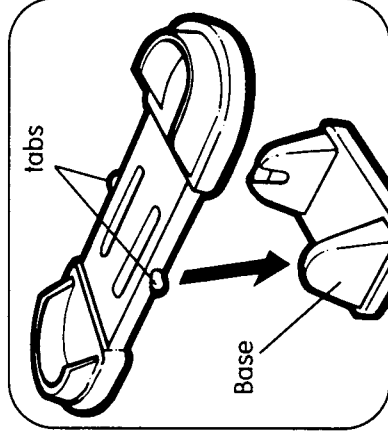
SWING ASSEMBLY



1) Turn swing seat upside down. Fit the tabs on the white swing handles over the sides of the seat.

2) Place swing seat, with handles attached, onto the frame by inserting frame pins through large holes in handles. Push down into smaller openings to lock into place.

SEESAW ASSEMBLY



Insert tabs into openings in base and snap into place.

Product and colors may vary

© 1993 The Lyons Group. "Barney™" and "Baby Bop™" are trademarks of The Lyons Group. Distributed by Kid Dimension Inc., a subsidiary of Hasbro, Inc., Pawtucket, RI 02862 USA. All Rights Reserved.

MADE IN CHINA

22949 P/N 44464000