



Umbrella Stroller

PLEASE FOLLOW THESE INSTRUCTIONS CAREFULLY.
RETAIN THESE INSTRUCTIONS FOR FUTURE REFERENCE.

Maximum Weight: 40 lbs
Assembly required (no tools needed)



Questions? Call:
1-800-PLAYSKOOL

For future reference, our toll-free consumer service number is located on this product.

Dear Parent,

Thank you for choosing this durable, convenient stroller styled with everybody's favorite dinosaur friend, Barney. It has many special features, including an extra wide frame for added stability and a removable, machine washable seat. For your child's protection, the Umbrella Stroller has a unique double safety latch system to prevent accidental fold-ups. Best of all, when you place your child in the seat, Barney's soft, padded arms help hold your child in the stroller!

If you have any questions, comments, or need additional information concerning this product or its parts, please call our Playskool Consumer Service hotline 1-800-PLAYSKOOL (1-800-752-9755), Monday through Friday, 8:00 AM to 5:00 PM Eastern Time.

All written inquiries should be mailed to: Playskool Consumer Service Department, P.O. Box 200, Pawtucket, Rhode Island 02862-0200.

SAFETY CAUTIONS

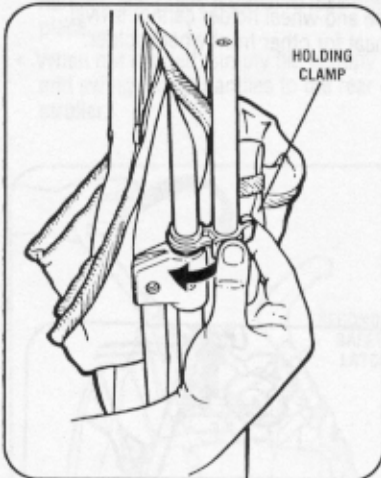
- NEVER LEAVE CHILD UNATTENDED.
 - USE the restraint system at all times so that your child cannot stand or fall out.
 - FOR your child's safety, never hang diaper bags or other objects on the stroller.
 - DO NOT place parcels on top of canopy (if included).
 - DO NOT use stroller with children over 40 pounds.
 - STROLLER is to be used by one child at a time only.
 - SET brakes when stroller is not being pushed, so stroller will not accidentally roll away.
 - DO NOT leave stroller unattended on hill or incline even when brakes are engaged.
 - DO NOT pull stroller up stairs or escalators with child in it.
 - DO NOT allow child to climb into stroller unassisted.
 - DO NOT allow children to play with or hang onto stroller because of tip-over hazard.
 - WHEN making adjustments to the stroller, ALWAYS make sure that all parts of a child's body are clear of any moving parts.
- BUCKLE UP WITH BARNEY TO PREVENT INJURIES!



MAINTENANCE NOTES

- If used in inclement weather, dry stroller with a soft cloth to assure longer life.
- PERIODICALLY check your stroller for loose hardware or torn material. Replace or repair as needed.

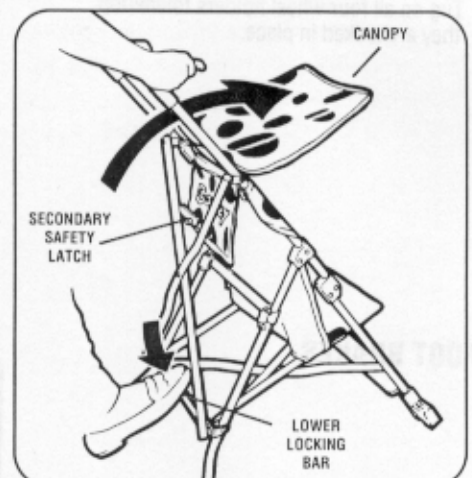
TO UNFOLD STROLLER



- Unsnap holding clamp from stroller leg.



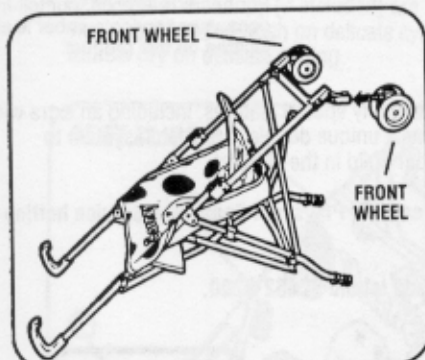
- Grasp handle and push front leg down until stroller is unfolded in an upright position.



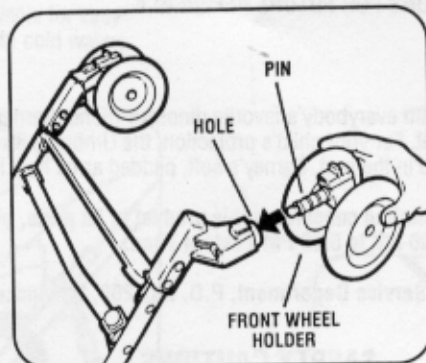
- Move canopy (if included) to front of stroller.
- Step down on lower locking bar knob until bar is locked in place. (The secondary safety latch on upper locking bar will automatically engage.)

NOTE: WHEN USING STROLLER, DOUBLE CHECK TO BE SURE IT IS LOCKED IN THE OPENED POSITION - ENSURE THAT BOTH LOCKING BARS ARE FIRMLY ENGAGED.

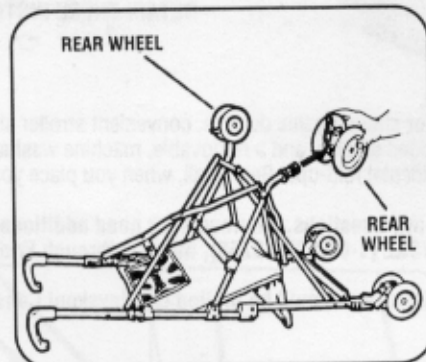
WHEEL ASSEMBLY



- To install front wheels, unfold stroller and lay handles on the floor, with seat facing up.

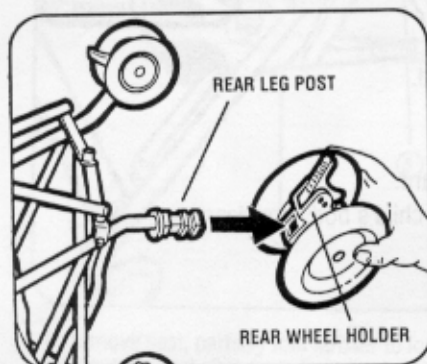


- Snap pin on front wheel holder into hole on front leg socket. Repeat for other front wheel holder and front leg socket.

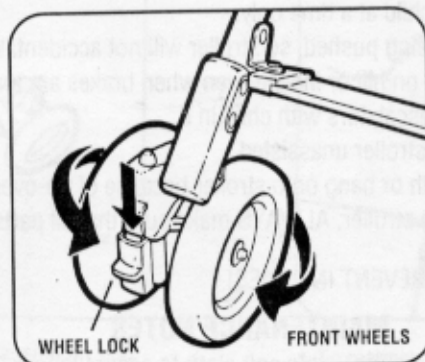


- To install rear wheels, flip stroller over so that seat faces down.

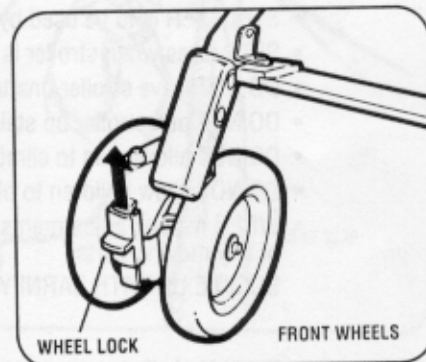
WHEEL ADJUSTMENTS



- Slide rear wheel holder over rear leg post and snap into place as shown. (Be sure brake on rear wheel holder faces rear of stroller.) Repeat for other rear wheel holder and rear leg post.
- Tug on all four wheel holders to ensure they are locked in place.



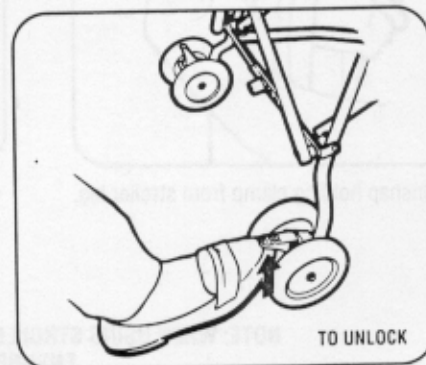
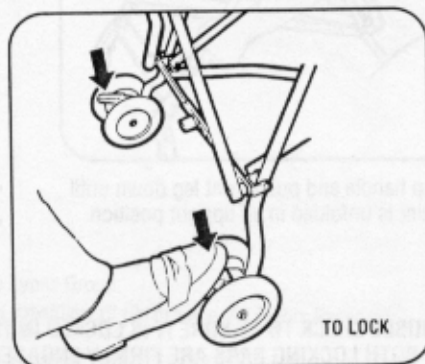
- Use swiveling front wheels for smooth surfaces. For this adjustment, slide green wheel lock down so that front wheel holder pivots freely. Repeat for other front wheel holder.



- Use straight front wheels for rough surfaces, or if front wheels tend to turn sideways or bind up in the swivel position. For this adjustment, align tab on front leg socket with green wheel lock and slide wheel lock up until it clicks into place and wheel holder cannot swivel. Repeat for other front wheel holder.

FOOT BRAKES

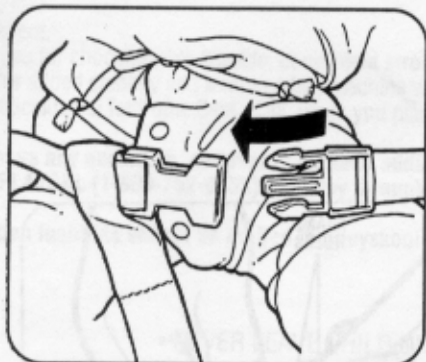
- To keep stroller from rolling, lock BOTH rear foot brakes as shown.



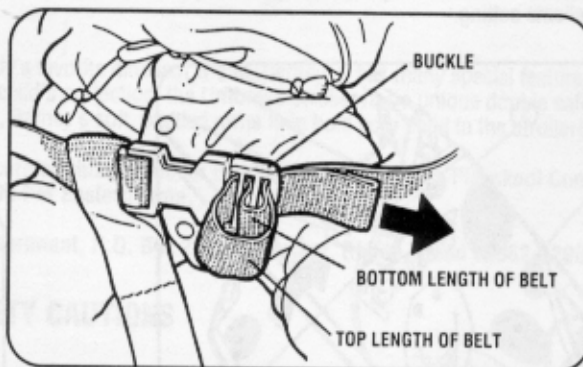
RESTRAINT SYSTEM

NOTE: Brakes should be engaged when placing child in the stroller and securing restraint system.

WARNING: Avoid serious injury. Always use seatbelt.



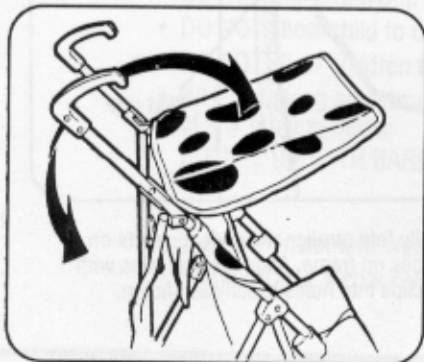
- Place your child in stroller. With crotch belt positioned between baby's legs, slide waist belt through loop in crotch belt and fasten buckle.



- Adjust fit of waist belt so that it is snug around baby's waist. To tighten fit, slide bottom length of belt up through underside of buckle, then pull top length of belt to remove slack. To loosen fit, slide top length of belt up through underside of buckle, then pull bottom length of belt to remove slack.

NOTE: When sliding a belt length up through underside of buckle, it may be easier to start the process by grasping both belt lengths and pushing them through together.

CANOPY (IF INCLUDED)

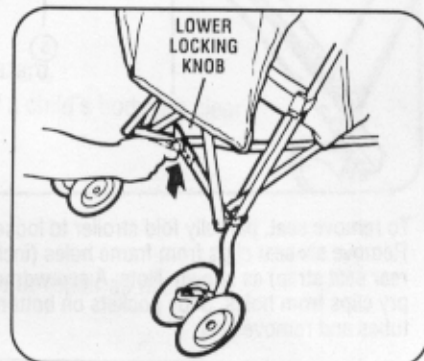


- To use, swing canopy over stroller handles and press it down to lock into place.
- When not needed, simply flip canopy up and swing it over handles to the rear of stroller.

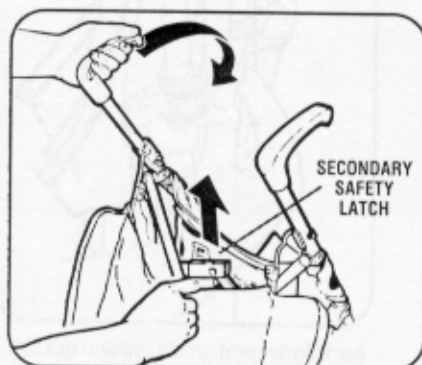
TO FOLD STROLLER



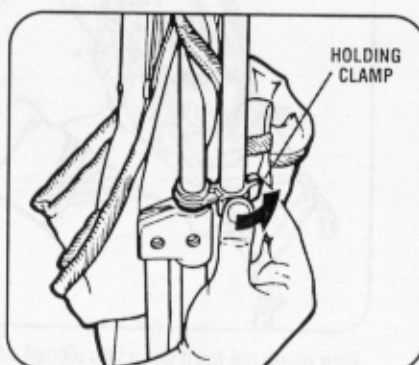
- If canopy is included, pull up and swing around to rear of stroller.



- With your hand, pull up on lower locking bar knob.



- Pull up on secondary safety latch knob while moving handles away from you.

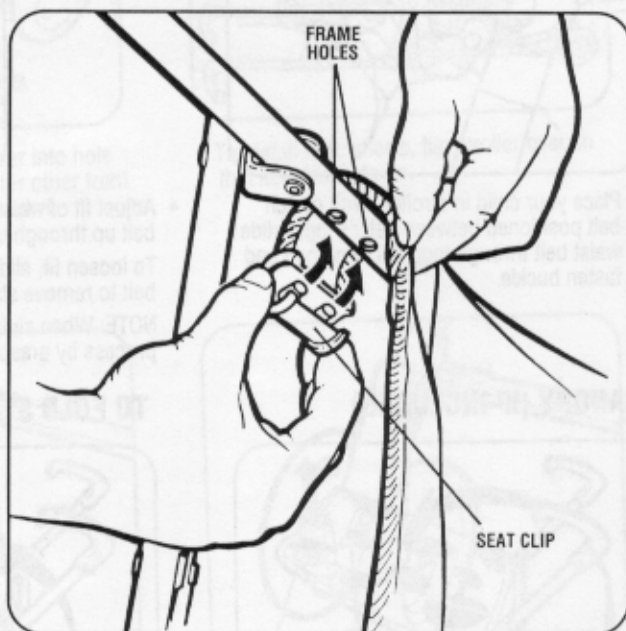
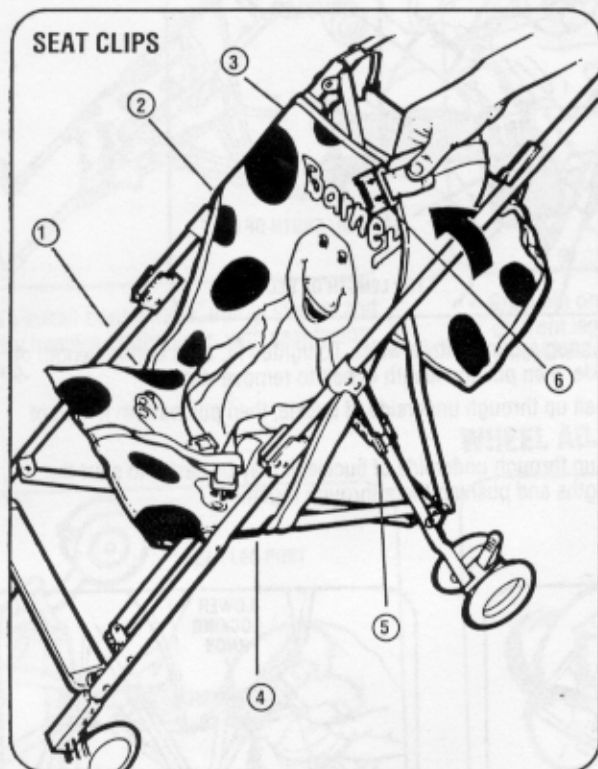


- Bring up front wheels and squeeze stroller together.
- Snap holding clamp onto frame as shown.

If you have any questions please call 1-800-PI AVSKI

CLEANING

- Cloth seat and canopy (if included) are removable for easy washing. Machine wash on delicate cycle, with cold water; tumble dry on delicate setting.



- To remove seat, partially fold stroller to loosen tension on seat. Remove six seat clips from frame holes (including two clips on rear seat strap) as shown. Note: A screwdriver may be needed to pry clips from holes. Slide pockets on bottom of seat off frame tubes and remove seat.

- To reattach seat, partially fold stroller and slide pockets on bottom of seat over tubes on frame. Align six seat clips with frame holes and snap clips into holes exactly as shown.

- To remove canopy (if included), unhook elastic strap from knobs and slide cloth off arms. Flip arms to rear of stroller.
NOTE: Always have canopy fully assembled before using stroller.
- To replace canopy, slide cloth over arms and hook elastic straps around knobs.
- To clean other parts of stroller, wipe with a damp cloth and mild detergent. Do not use abrasives or solvents.

©1993 The Lyons Group. "Barney™" is a trademark of The Lyons Group.

©1993 Playskool Baby, Inc., Northvale, NJ 07647 U.S.A., a subsidiary of Hasbro, Inc. All Rights Reserved.

MADE IN CHINA.

160/161 P/N 44551900