

FCC STATEMENT

This device complies with Part 15 of the FCC Rules.
Operation is subject to the following two conditions :

- (1) this device may not cause harmful interference, and
- (2) this device must accept any interference received including interference that may cause undesired operation.

Warning: Changes or modifications to this unit not expressly approved by the party responsible for compliance could void the user's authority to operate the equipment.

NOTE: This equipment has been tested and found to comply with the limits for a Class B digital device, pursuant to Part 15 of the FCC Rules. These limits are designed to provide reasonable protection against harmful interference in a residential installation. This equipment generates, uses, and can radiate radio frequency energy and, if not installed and used in accordance with the instructions, may cause harmful interference to radio communications.

However, there is no guarantee that interference will not occur in a particular installation. If this equipment does cause harmful interference to radio or television reception, which can be determined by turning the equipment off and on, the user is encouraged to try to correct the interference by one or more of the following measures:

- Reorient or relocate the receiving antenna.
- Increase the separation between the equipment and receiver.
- Connect the equipment into an outlet on a circuit different from that to which the receiver is connected.
- Consult the dealer or an experienced radio TV technician for help.

90- DAY LIMITED WARRANTY

Tiger Electronics (TIGER) warrants to the original consumer purchaser of this product that the product will be free from defects in materials or workmanship for 90 days from the date of original purchase. This warranty does not cover damages resulting from accident, negligence, improper service or use or other causes not arising out of defects in materials or workmanship.

During this 90-day warranty period, the product will either be repaired or replaced (at TIGER'S option) without charge to the purchaser, when returned with proof of the date of purchase to either the dealer or to TIGER.

Product returned to TIGER without proof of the date of purchase or after the 90-day warranty period has expired, but prior to one year from the original date of purchase, will be repaired or replaced (at TIGER'S option) for a service fee of U.S. \$10.00. Payments must be by check or money order payable to Tiger Electronics.

THE FOREGOING STATES THE PURCHASER'S SOLE AND EXCLUSIVE REMEDY FOR ANY BREACH OF WARRANTY WITH RESPECT TO THE PRODUCT.

All product returned must be shipped prepaid and insured for loss or damage to:

TIGER REPAIR DEPARTMENT
1000 N. Butterfield Road, Unit 1023,
Vernon Hills, IL 60061, U.S.A.

The product should be carefully packed in the original box or other packing materials sufficient to avoid damage during shipment. Include a complete written description of the defect, a check if product is beyond the 90-day warranty period, and your printed name, address and telephone number.

THIS WARRANTY IS IN LIEU OF ALL OTHER WARRANTIES AND NO OTHER REPRESENTATIONS OR CLAIMS OF ANY NATURE SHALL BE BINDING ON OR OBLIGATE TIGER IN ANY WAY. ANY IMPLIED WARRANTIES APPLICABLE TO THIS PRODUCT, INCLUDING WARRANTIES OF MERCHANTABILITY AND FITNESS FOR A PARTICULAR PURPOSE, ARE LIMITED TO THE NINETY (90) DAY PERIOD DESCRIBED ABOVE. IN NO EVENT WILL TIGER BE LIABLE FOR ANY SPECIAL, INCIDENTAL, OR CONSEQUENTIAL DAMAGES RESULTING FROM POSSESSION, USE, OR MALFUNCTION OF THIS TIGER PRODUCT.

Some states do not allow limitations as to how long an implied warranty lasts and/or exclusions or limitations of incidental or consequential damages, so the above limitations and/or exclusions of liability may not apply to you. This warranty gives you specific rights, and you may also have other rights which vary from state to state.

For more information about Tiger Electronics, our products and special promotions, please visit our web site at: www.tigertoys.com

TIGER
ELECTRONICS
A division of Hasbro, Inc.



©2001 Lyons Partnership, L.P.

All rights reserved. The Barney and BJ name and character and the overlapping dino spots and Barney and star logos are trademarks of Lyons Partnership, L.P. Reg. U.S. Pat. & Tm. Off. The Baby Bop name and character are trademarks of Lyons Partnership, L.P.

©, TM, & © 2001 Tiger Electronics
All rights reserved.
980 Woodlands Parkway,
Vernon Hills, IL 60061, USA

TIGER ELECTRONICS UK
Belvedere House, Victoria Avenue,
Harrogate, North Yorkshire HG1 1EL,
England

PRINTED IN CHINA

200100601W7I-01



INSTRUCTION MANUAL



Celebrate With Me Barney™

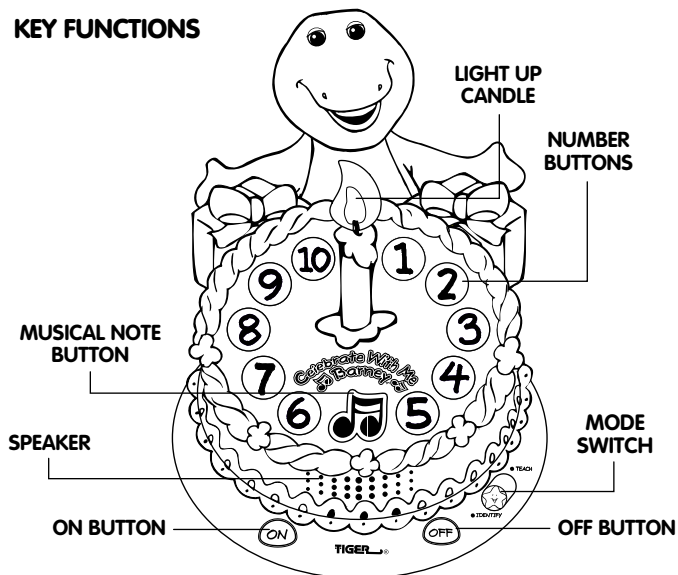
TIGER
ELECTRONICS

Ages 2 & Up
Item No. 59702

INTRODUCTION

Celebrate With Me Barney™ is a hand held electronic learning aid for preschoolers that reinforces counting, number identification, and logic skills. Your child will also have fun with the "Happy Birthday" song.

KEY FUNCTIONS



ON/OFF BUTTONS

- Press the green ON button to turn the unit on.
- Press the red OFF button to turn the unit off.

IDENTIFY ACTIVITY

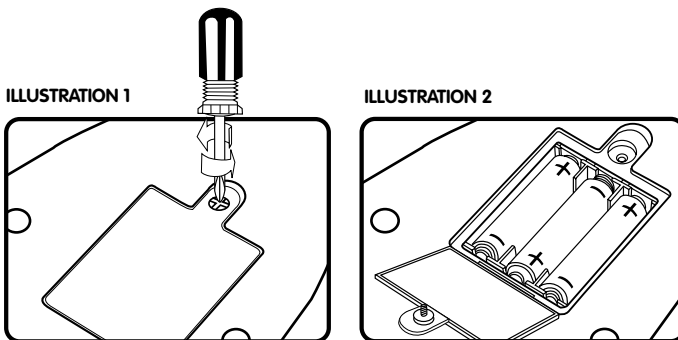
- Slide the MODE SWITCH to IDENTIFY.
- Press a number button. Barney™ will identify that number and say a fun phrase to encourage your child to keep learning!
- Press the MUSICAL NOTE to hear Barney™ sing the "Happy Birthday" song.

1

TEACH ACTIVITY

- Slide the MODE SWITCH to TEACH.
- Barney™ will ask the child to press a number button, and then he will count to that number. For example, if your child pressed the number 4 Barney™ will then count "1,2,3,4" and give the child a rewarding phrase.
- Occasionally Barney™ will say "Let's blow out the candle together 1,2,3". The candle will light up and then go out.
- Press the MUSIC NOTE to hear Barney™ sing the "Happy Birthday" song.

REPLACING THE BATTERIES



NOTE: Battery installation should be done by an adult. Always install the batteries correctly according to the positive (+) and negative (-) signs on the batteries.

1. Unscrew the battery compartment door on the back of the unit. (Illustration 1)
2. Insert 3 "AA" batteries. Be sure to match the "+" and "-" symbols as shown. (Illustration 2)
3. Close the battery compartment door and replace the screw.
4. Do not dispose of batteries in fire, batteries may explode or leak.

2

CAUTION

To ensure proper function and avoid battery leakage:

- Do not mix old and new batteries
- Do not mix alkaline, standard or rechargeable batteries
- Non-rechargeable batteries are not to be recharged
- Rechargeable batteries are to be removed from the toy before being charged (if removable)
- Rechargeable batteries are only to be charged under adult supervision (if removable)
- Only batteries of the same or equivalent type as recommended are to be used
- Batteries are to be inserted with the correct polarity, and follow the toy and battery manufacturer's instruction.
- Exhausted batteries are to be removed from the toy
- The supply terminals are not to be short-circuited
- Remove the batteries if you will not be using Celebrate With Me Barney™ for a long period of time

TROUBLESHOOTING

1. If the unit does not work, please check that the batteries have been inserted correctly.
2. If the volume is too low, please install new batteries.

If you are still having trouble checking all of these things, please call our toll-free number at 1-800-TIGER-ED and a representative will be happy to help you.

CARE AND USE/MAINTENANCE

To protect Celebrate with Me Barney™, follow these instructions:

- Prevent spills of food and beverage on the unit.
- Do not submerge the product in water. If the product needs to be cleaned, wipe it gently with a moist, soft cloth.
- Do not throw or kick the product, and do not push sharp objects through the speaker opening.
- Do not put the unit in direct sunlight or near any heat source.

3