



CRIME SQUAD™

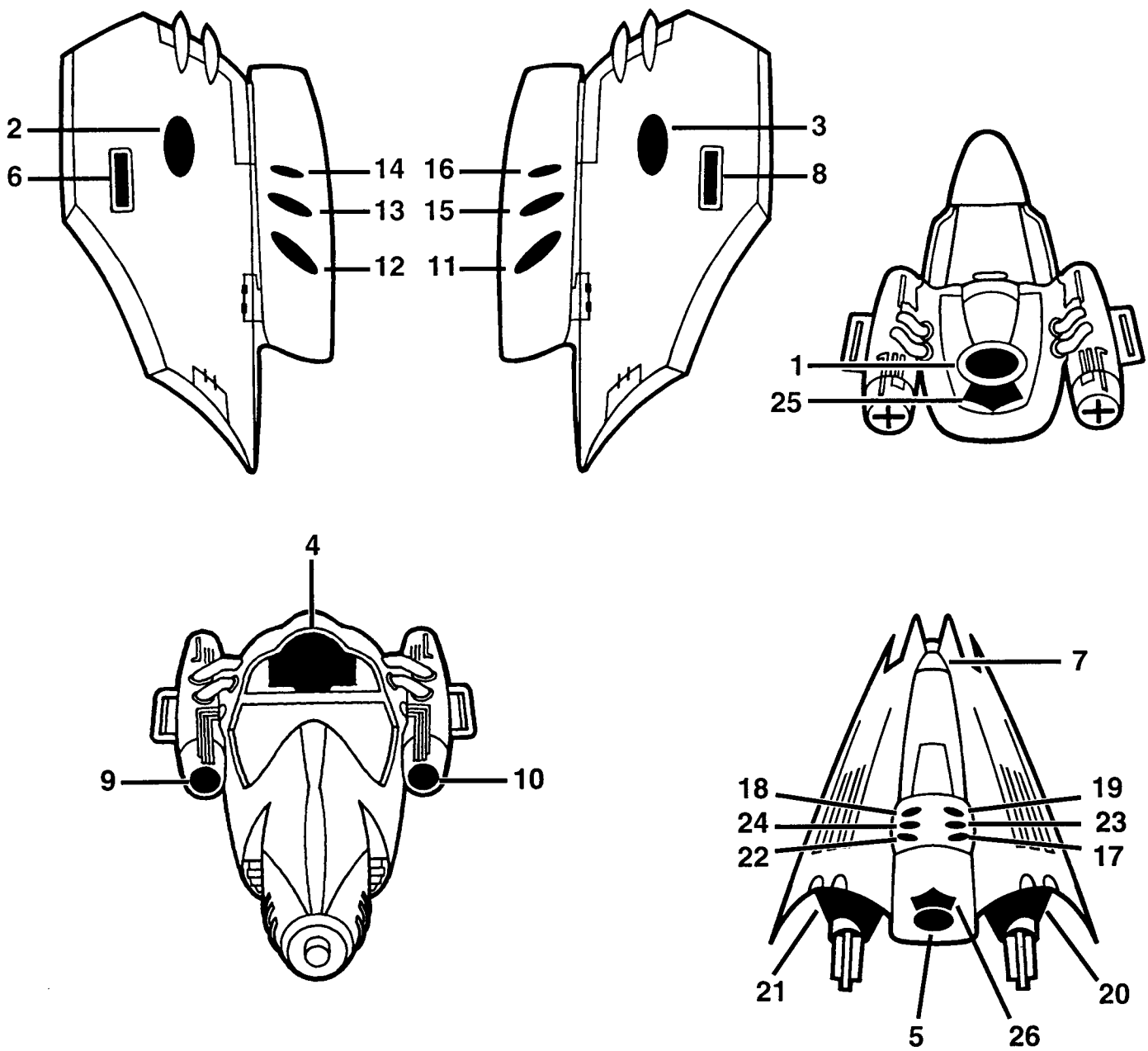
Triple Attack Jet™ INSTRUCTIONS



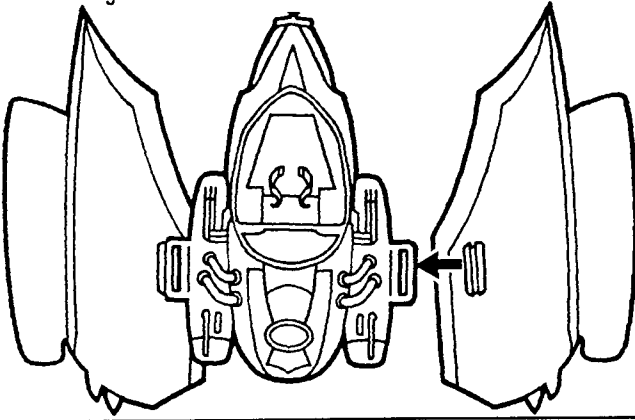
© Kenner Products 1994.
A Division of Tonka Corporation,
Cincinnati, Ohio 45202

BATMAN and all related elements
are the property of DC Comics.
TM and © 1994. All Rights Reserved.

1 Apply labels following numbers on label sheet, using these illustrations as a guide.

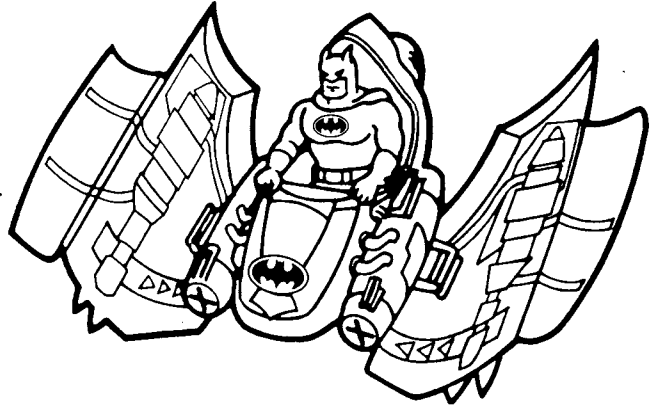


2 Attach wings to Pursuit Jet as shown.

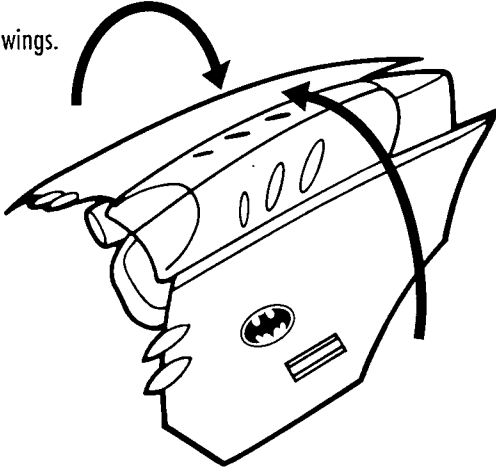


3 Place figure inside Pursuit Jet.

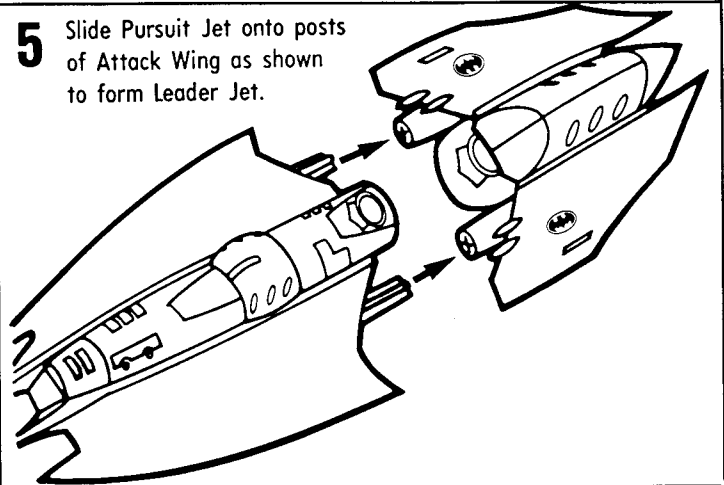
Figure with backpack sold separately.



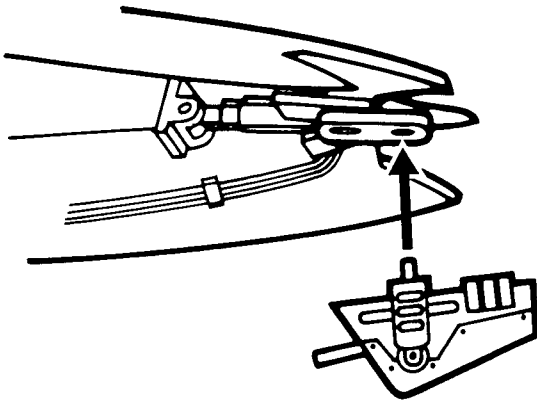
4 Close wings.



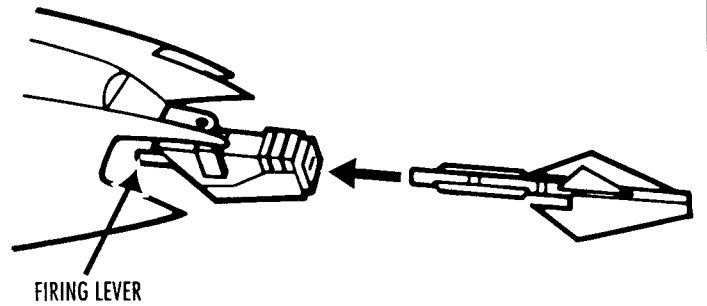
5 Slide Pursuit Jet onto posts of Attack Wing as shown to form Leader Jet.



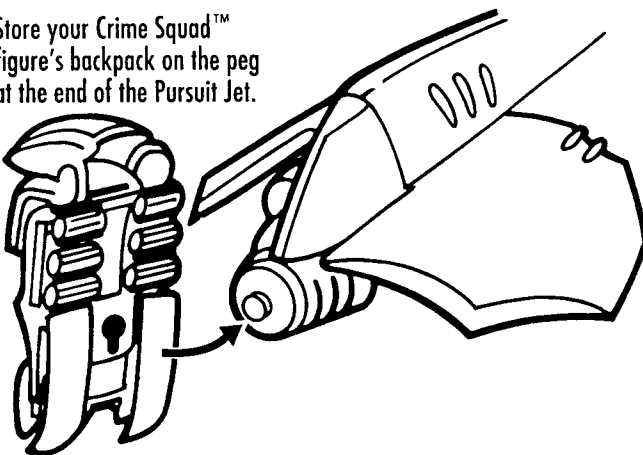
6 Insert Launcher peg into hole at front of Attack Wing.



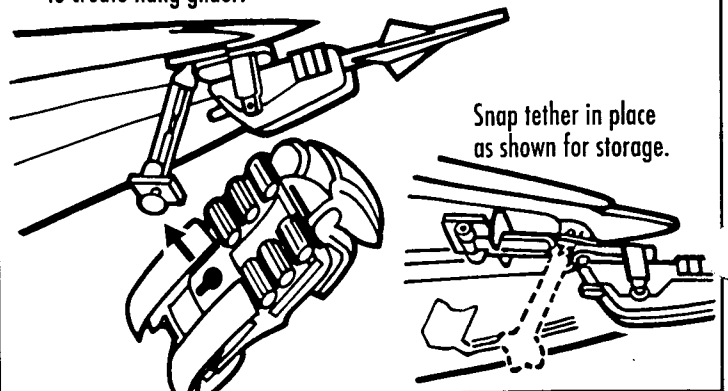
7 Load missile into launcher. Press lever to fire.



8 Store your Crime Squad™ figure's backpack on the peg at the end of the Pursuit Jet.



9 Attach figure's backpack to the Attack Wing tether as shown to create hang glider.



Snap tether in place as shown for storage.