



BATMAN® FOREVER ROAD RACE SET

INSTRUCTIONS

Includes 16 pieces of track, 2 pistol-grip power controls, 2 vehicles, 12 guardrails, 6 track supports, battery case, 2 bridge sections and background scenes.

Requires 4 "D" alkaline batteries (sold separately). Phillips screwdriver required for battery placement.

- DO NOT ASSEMBLE OR USE TRACK ON CARPETED SURFACES.
- KEEP TRACKS CLEAN WITH A LINT-FREE CLOTH.
- DO NOT HOLD VEHICLES DOWN ON TRACK WHILE OPERATING OR MOTORS WILL BECOME DAMAGED BY OVERHEATING.

CAUTION: To avoid battery leakage:

1. Be sure to insert the batteries correctly and always follow the toy and battery manufacturer's instructions.
2. Do not mix old batteries with new batteries, or standard (carbon-zinc), alkaline batteries or rechargeable batteries.
3. Always remove exhausted or dead batteries from the product.

1. Join track sections together by inserting track pins into the opposite track holes as shown in Figure 1.

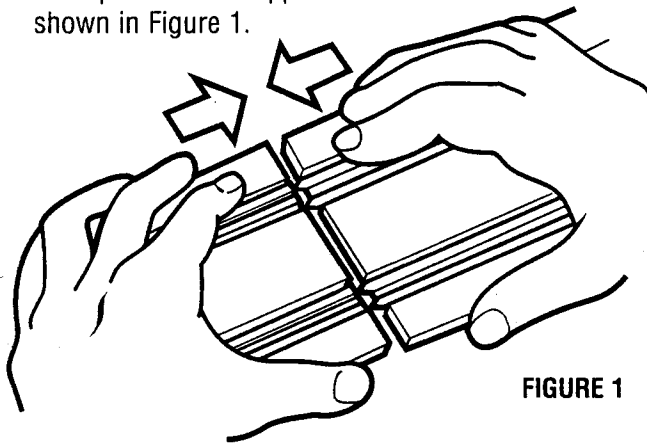
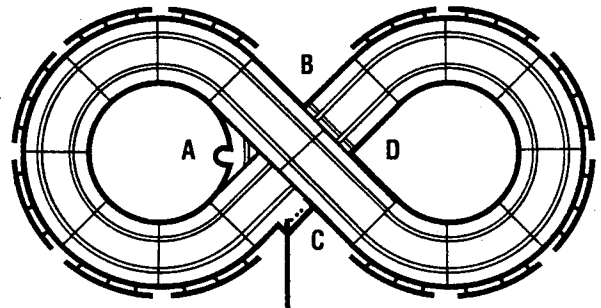


FIGURE 1

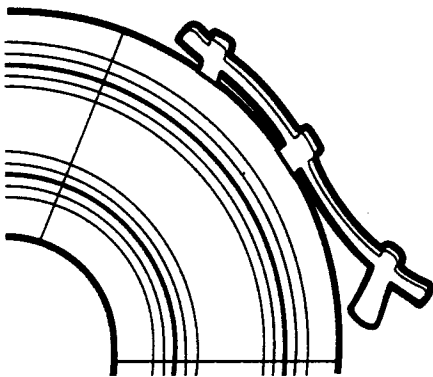
2. Continue to join track sections (with power intake track positioned as shown) to form the figure-eight layout shown in Figure 2. Or use your imagination to create your own track layouts.



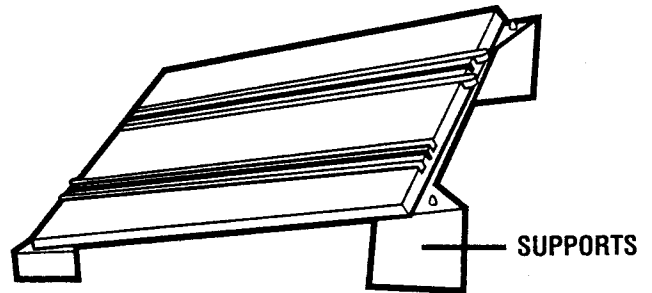
POWER INTAKE TRACK

FIGURE 2

3. Attach guardrails by clipping below curved track sections.



4. Position the two highest supports between points AB and CD as indicated in Figure 2 (be sure the incline at top of the supports is positioned to match the incline of the track). Space the remaining supports below track from high to low.



SUPPORTS

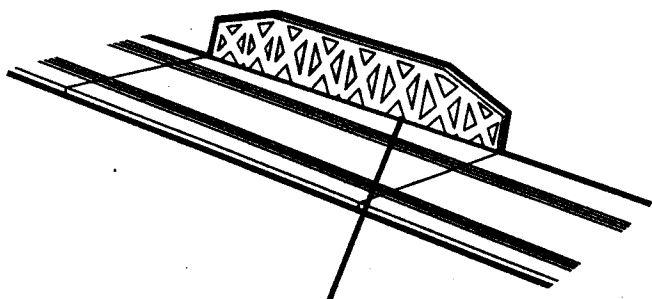
WARNING:

CHOKING HAZARD - Small parts.
Not for children under 3 years.

Ages 5 & up

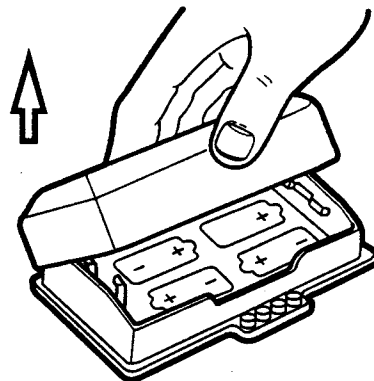
NOTE: Over time, vehicles may lose speed. To keep them running at peak performance levels, use a Phillips screwdriver to remove screw from vehicle chassis and remove body. Place a thin drop of oil on the rear axle and motor bearing area, then refit body.

- 5.** Attach bridge sections onto the two straight tracks as shown. Fit tabs on background scenes into slots in track.

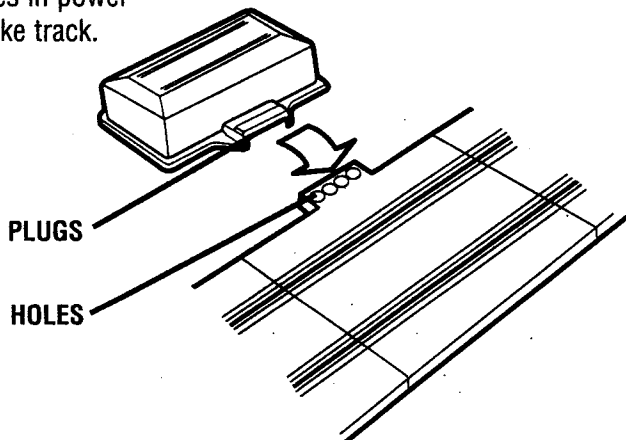


BRIDGE SECTIONS

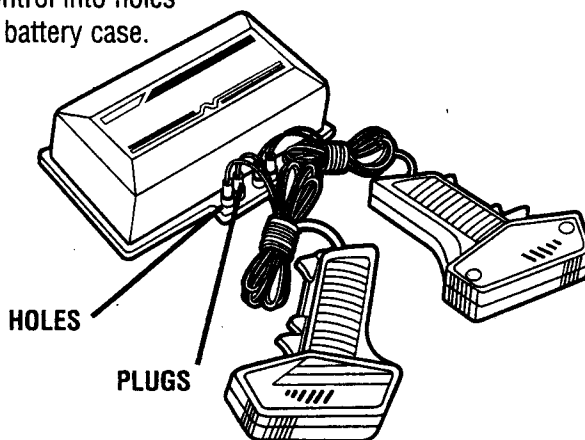
- 6.** Use a Phillips screwdriver to remove battery case screw. Insert 4 "D" alkaline batteries as shown and replace screw.



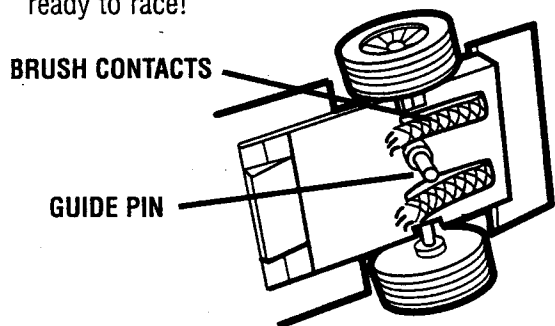
- 7.** Insert battery case plugs into corresponding holes in power intake track.



- 8.** Insert plugs on each pistol-grip power control into holes in battery case.



- 9.** Bend brush contacts so they make firm and level contact with metal strips on track. Place guide pin into slot in track, press trigger on power control and you're ready to race!



Kenner

Product and colors may vary. BATMAN and all related elements are the property of DC Comics TM & © 1995. All Rights Reserved. Distributed by Hasbro, Inc. Pawtucket, Rhode Island 02862. KENNER® is a trademark of Tonka Corporation, a subsidiary of Hasbro, Inc. ®denotes Reg. U.S. Pat. & TM Office. **MADE IN CHINA.**
28891 P/N 45510100