



WARNING:

CHOKING HAZARD- Small parts.
Not for children under 3 years.

AGES 4+

BATMAN

Shadowcast™ Batcave™

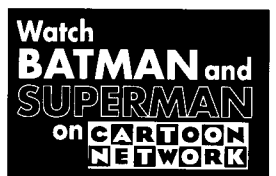
PLAYSET

INSTRUCTIONS



Product and colors may vary.
*© and © 2001 Hasbro. All Rights Reserved.
© denotes Reg. U.S. Pat. & TM Office.

©. Batman, characters, names, and all related
indicia are trademarks of and © Warner Bros.
(S01)
TM & © CARTOON NETWORK 2001



5042660001

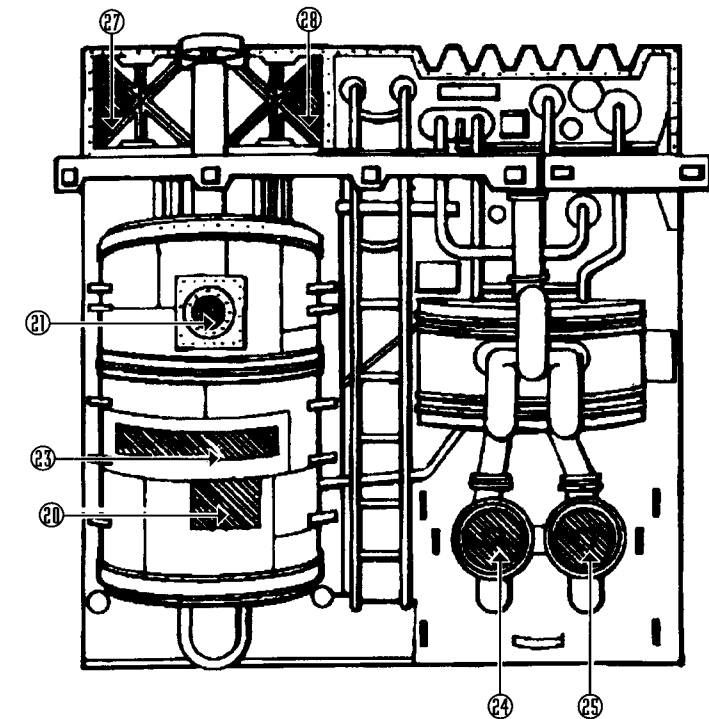
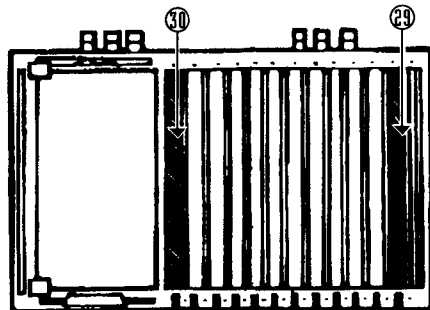
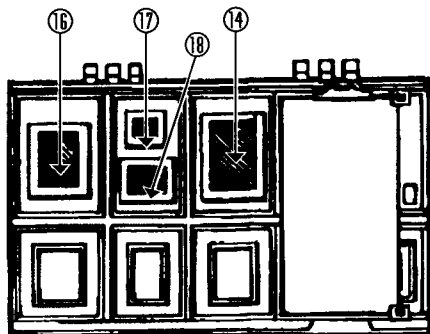
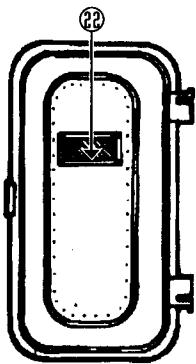
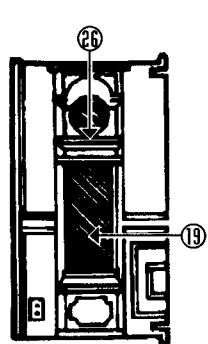
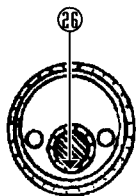
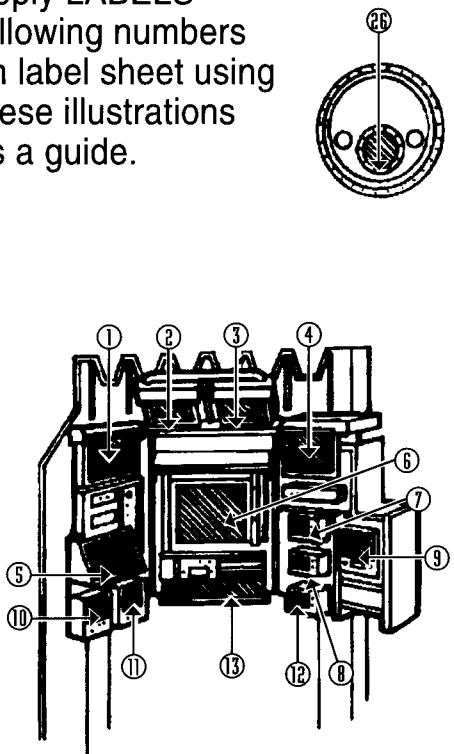


Product and colors may vary.
 ® and © 2001 Hasbro. All Rights Reserved.
 ® denotes Reg. U.S. Pat. & TM Office.
 Batman, characters, names, and all related
 indicia are trademarks of and © Warner Bros.
 (s01)
 TM & © CARTOON NETWORK 2001



ASSEMBLY INSTRUCTIONS

- 1** Apply LABELS following numbers on label sheet using these illustrations as a guide.

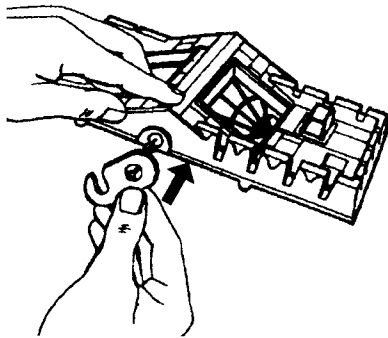


(Figure not included.)

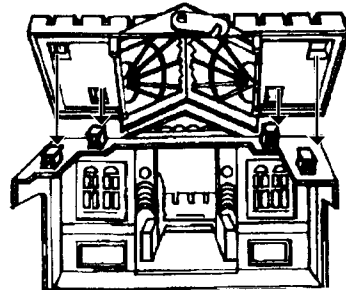


2**ONE-TIME ASSEMBLY**
Once assembled, cannot be taken apart!

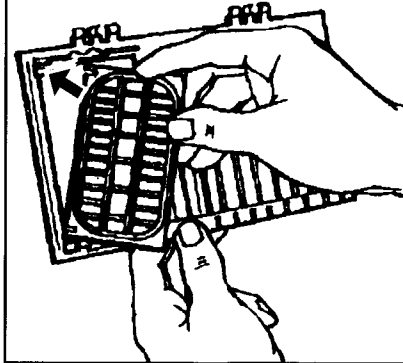
Snap latch onto post on back of roof.

**3****ONE-TIME ASSEMBLY**
Once assembled, cannot be taken apart!

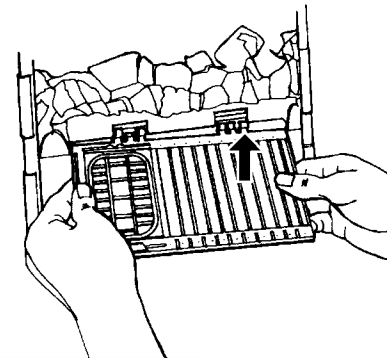
Snap roof onto front section of playset, one peg at a time. Use illustration below for alignment.

**4**

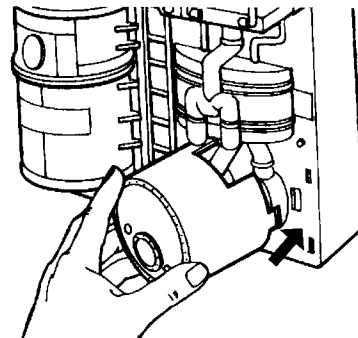
Snap Batcave™ secret entrance door into swinging wall panel one pin at a time.

**5**

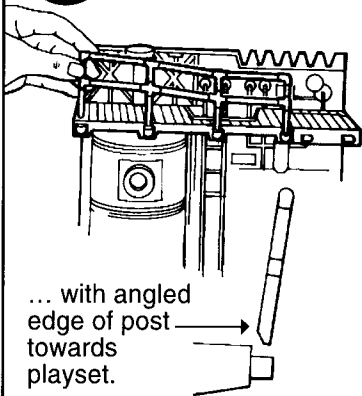
Then snap assembled swinging wall panel onto cave one side at a time.

**6**

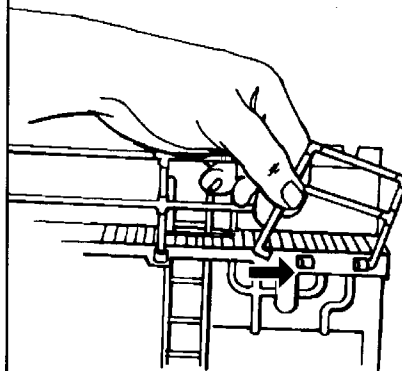
Attach sewage tank to rear wall with slotted side of tank up.

**7**

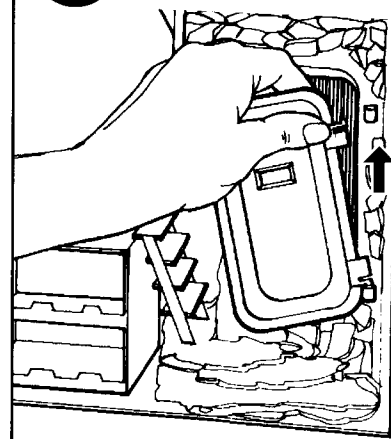
Insert railings into holes on catwalk, one post at a time...

**8**

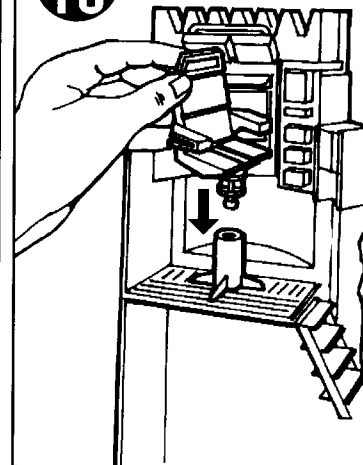
Attach breakaway section's railing one side at a time, by spreading the lower section apart.

**9**

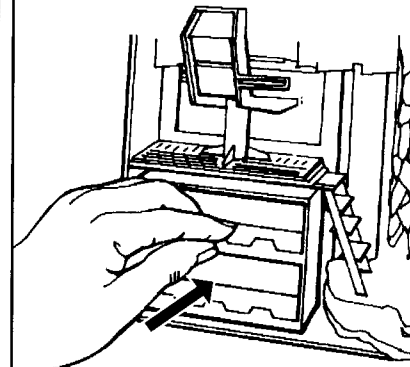
Insert vault door one pin at a time.

**10**

Snap console chair into base.

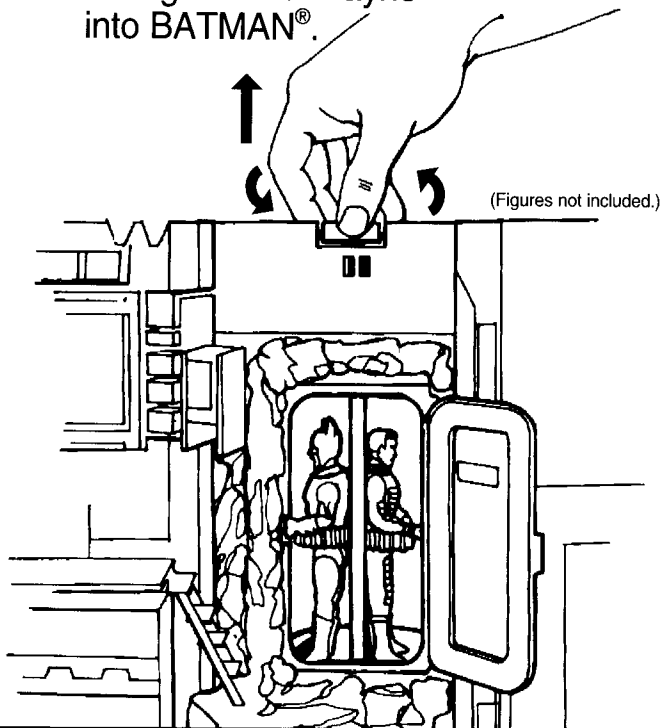
**11**

The tabs on the back of the weapon compartment fit into the slots on the wall under the console floor.

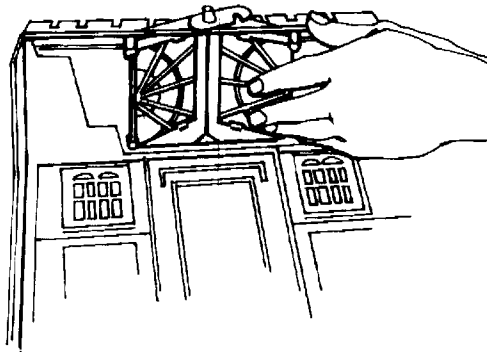
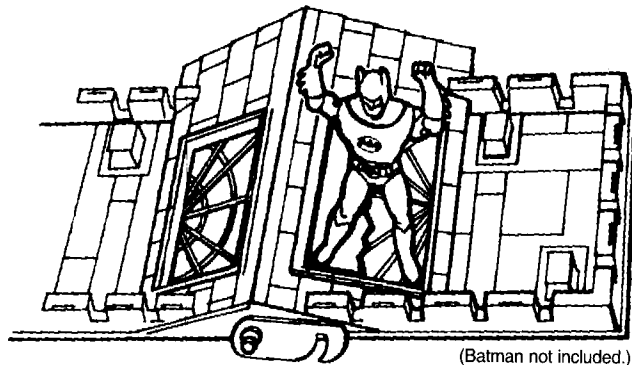


OPERATING INSTRUCTIONS

- 12** The secret chamber can hold two figures. Secure figures in chamber with waist belts. Pull up knob to turn chamber around and pretend to change Bruce Wayne™ into BATMAN®.

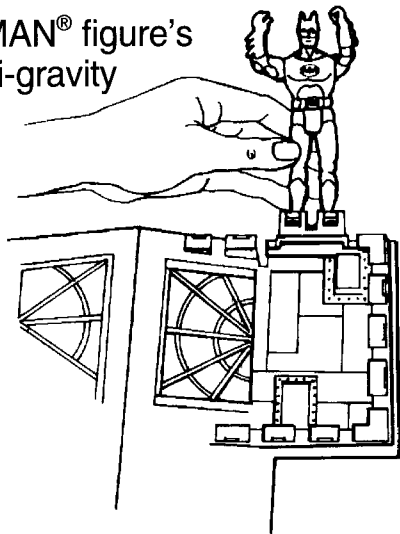


- 13** Push figures through breakaway skylights for a surprise entrance.



Push up on skylights to snap them back into place.

14 Insert BATMAN® figure's feet into anti-gravity hooks.



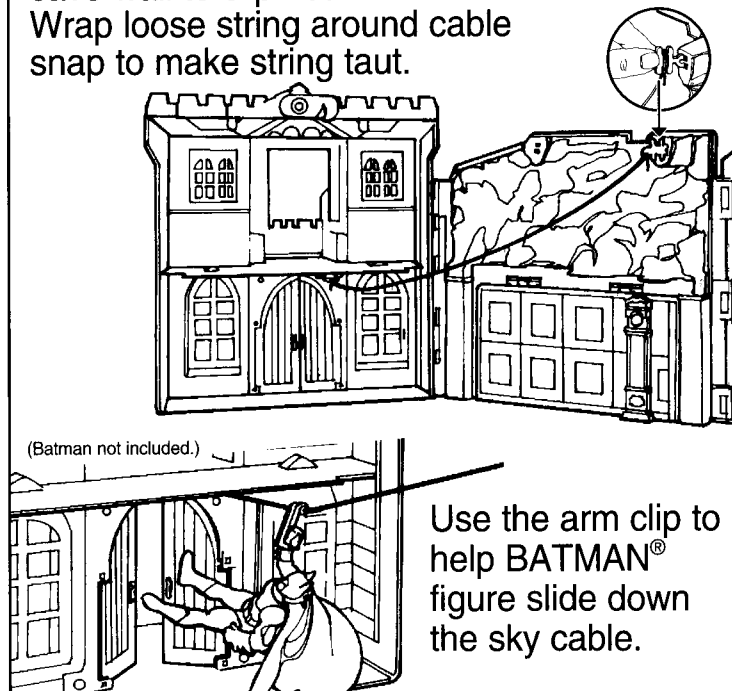
Push him over for upside-down antics.

(Batman not included.)



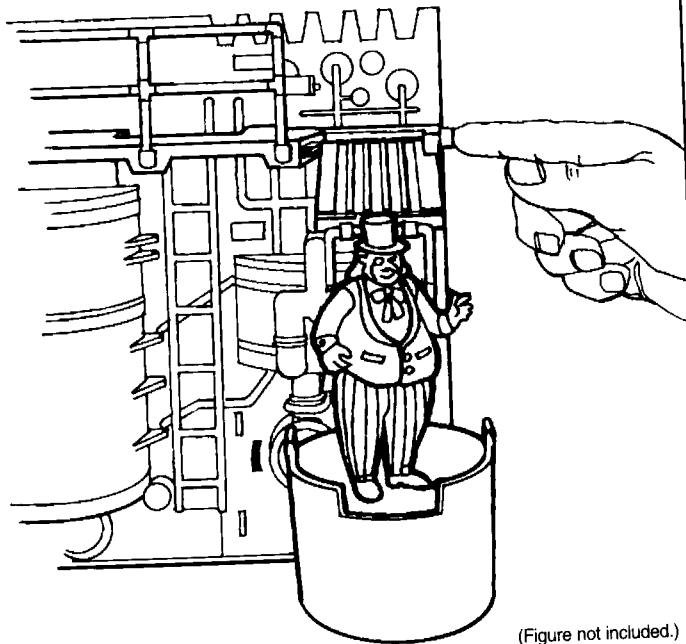
Assemble sky cable as shown.

Attach sky cable from either clip on cave wall to clip near front door. Wrap loose string around cable snap to make string taut.



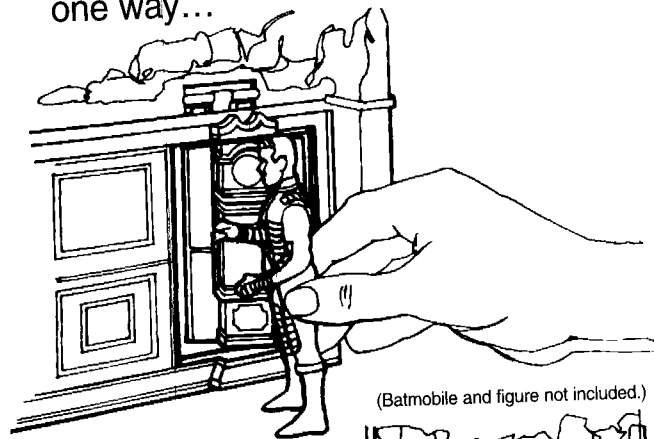
Use the arm clip to help BATMAN® figure slide down the sky cable.

- 16** Remove the sewage tank from the wall and position it under breakaway catwalk. Push the button on the side of the catwalk to drop your favorite villian figure into the sewage tank. Return floor and railing to upright position.



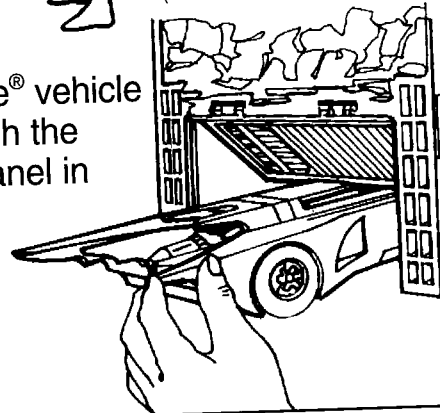
(Figure not included.)

- 17** Figures can go through Batcave™ secret entrance which opens only one way...

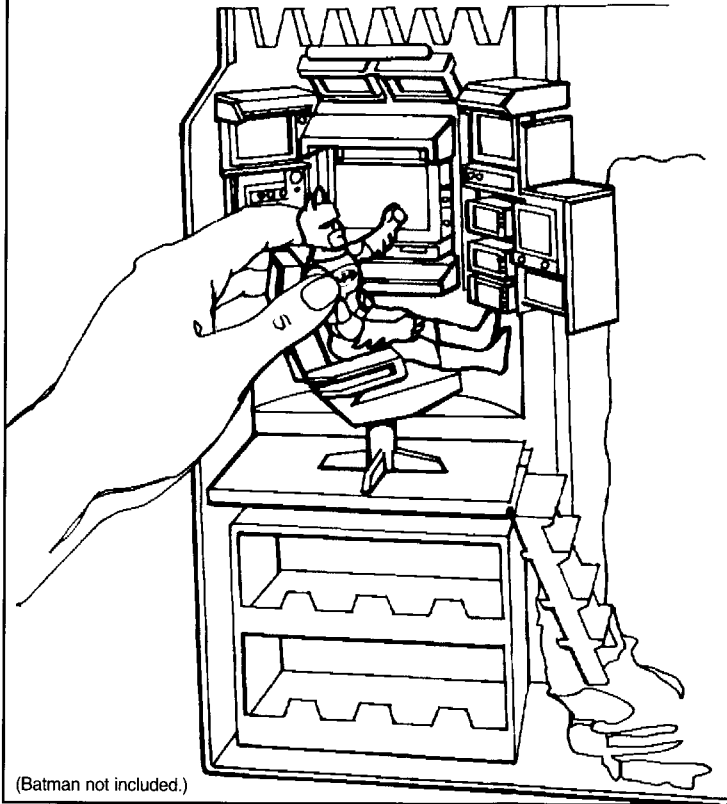


(Batmobile and figure not included.)

...The Batmobile® vehicle can drive through the swinging wall panel in either direction.

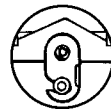
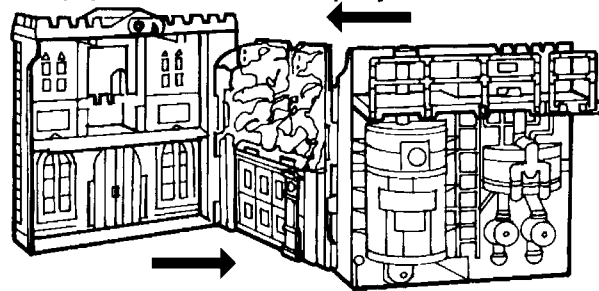


18 BATMAN® figure can be seated in chair at Computer Command Console.



(Batman not included.)

19 To carry or store BATMAN® Shadowcast™ Batcave™ Playset, fold sections together. Breakaway skylights, anti-gravity hooks, and latch must be in up position to close playset.



Once the playset is closed rotate the latch down to lock playset together. Open the skylights and use the roof section as a handle to carry.

