



LEFT SPIN

ELECTRONIC DRAGON GALAXY TURBO™

HIGH PERFORMANCE TOPS

AGES 8+
82814/82529 Asst.

B-26

Electronic Type

Batteries included. Replace with 4 x 1.5V "A-76" or LR44 size alkaline batteries.
Phillips/cross head screwdriver (not included) needed to replace batteries.

⚠ WARNING: Do not use BEYBLADE®* tops or BEYSTADIUM™ on tables or other elevated surfaces.

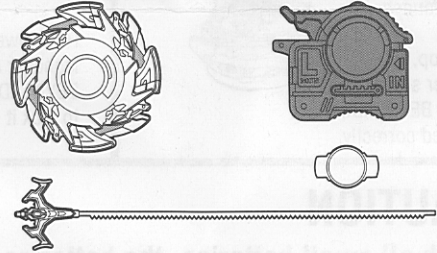
BEYBLADE tops/BEYSTADIUM are intended to be used on the floor. Do not lean over the stadium when BEYBLADE tops are in play. BEYBLADE tops may bounce up and hit eye or face.

**ELECTRONIC
TOPS**

- Please keep these instructions for future reference.
- Discard plastic bags immediately.

INCLUDES:

BEYBLADE top,
Launcher, Ripcord,
Bit Chip.

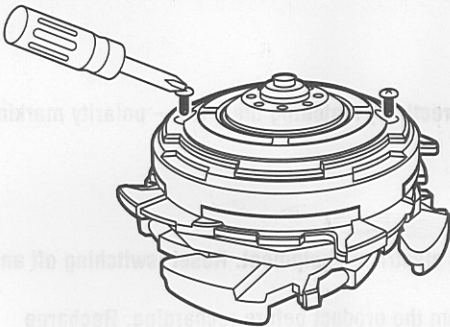


BEYSTADIUM sold separately.

TO REPLACE BATTERIES:

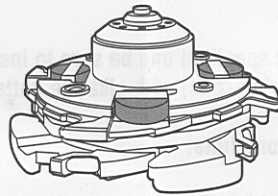
1

Using a Phillips/cross head screwdriver (not included), remove the 2 screws from underside of top.



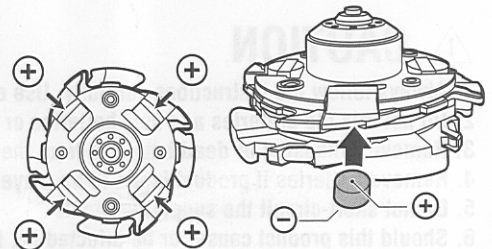
2

Remove base cover.



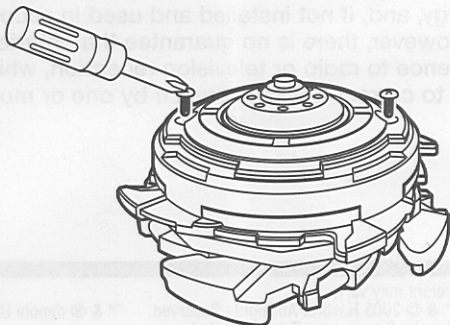
3

Insert 4 fresh "A-76" button cell batteries as shown.



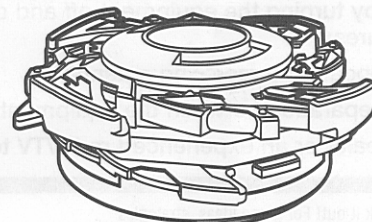
4

Replace base cover, and re-attach screws tightly.



5

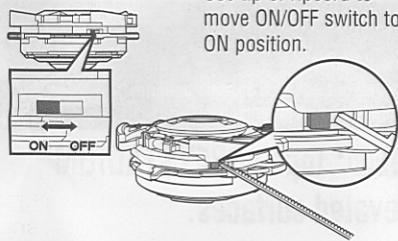
Your BEYBLADE top is now ready for battle!



LAUNCH:

A

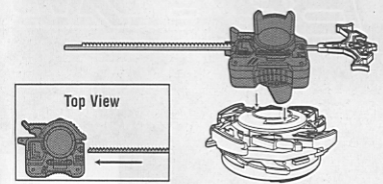
Peel and apply sticker to smooth side of Bit Chip.

B

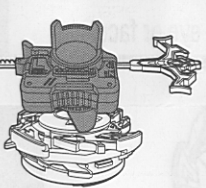
Use tip of ripcord to move ON/OFF switch to ON position.

C

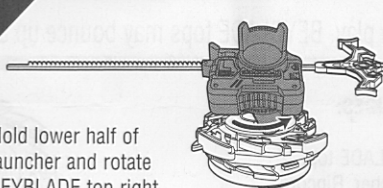
Insert ripcord into launcher as shown. NOTE: This is a left-spin top. Use only left-spin launchers for left-spin tops.

**D**

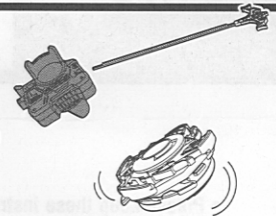
Insert posts on launcher into openings in BEYBLADE® top, as shown. Launcher should stay attached to BEYBLADE top when inserted correctly.

**E**

Hold lower half of launcher and rotate BEYBLADE top right to lock it in place.

**F**

Holding the launcher securely, pull the ripcord over the BEYSTADIUM™ (not included) – the BEYBLADE top will spin... launch... and battle!



When not playing, move ON/OFF switch to OFF position.

! CAUTION

1. As with all small batteries, the batteries used with this toy should be kept away from small children who still put things in their mouths. If they are swallowed, promptly see a doctor and have the doctor phone (202) 625-3333 collect, or in Canada, have the doctor call your provincial Poison Control Centre.
2. Make sure the batteries are inserted correctly and follow the toy and battery manufacturers' instructions.
3. Do not mix old and new batteries, alkaline, standard (carbon-zinc) or rechargeable (nickel-cadmium) batteries.

IMPORTANT: BATTERY INFORMATION

Please retain this information for future reference. Batteries should be replaced by an adult.

! CAUTION

1. Always follow the instructions carefully. Use only batteries specified and be sure to insert item correctly by matching the + and - polarity markings.
2. Do not mix old batteries and new batteries or standard (carbon-zinc) with alkaline batteries.
3. Remove exhausted or dead batteries from the product.
4. Remove batteries if product is not to be played with for a long time.
5. Do not short-circuit the supply terminals.
6. Should this product cause, or be affected by, local electrical interference, move it away from other electrical equipment. Reset (switching off and back on again or removing and re-inserting batteries) if necessary.
7. RECHARGEABLE BATTERIES: Do not mix these with any other types of batteries. Always remove from the product before recharging. Recharge batteries under adult supervision. DO NOT RECHARGE OTHER TYPES OF BATTERIES.
8. As with all small items, these batteries should be kept away from children. If swallowed, seek medical attention immediately.

FCC STATEMENT

This device complies with part 15 of the FCC Rules. Operation is subject to the following two conditions: (1) This device may not cause harmful interference, and (2) this device must accept any interference received, including interference that may cause undesired operation. This equipment has been tested and found to comply with the limits for a Class B digital device, pursuant to part 15 of the FCC Rules. These limits are designed to provide reasonable protection against harmful interference in a residential installation. This equipment generates, uses and can radiate radio frequency energy, and, if not installed and used in accordance with the instructions, may cause harmful interference to radio communications. However, there is no guarantee that interference will not occur in a particular installation. If this equipment does cause harmful interference to radio or television reception, which can be determined by turning the equipment off and on, the user is encouraged to try to correct the interference by one or more of the following measures:

- Reorient or relocate the receiving antenna.
- Increase the separation between the equipment and receiver.
- Consult the dealer or an experienced radio/TV technician for help.

Check it out! For game ideas, strategies and official game rules, please see



d-rights

www.beyblade.com
beyblade.hasbro.com



Product and colors may vary.

©* and/or TM* & © 2005 Hasbro. All Rights Reserved. TM & © denote U.S. Trademarks.

Manufactured under license from Takara Co., Ltd.

©HUDSON SOFT/TAKARA•BEYBLADE PROJECT•TV TOKYO

©Aoki Takao•BB3Project•TV Tokyo Licensed by d-rights Inc.

TM and ©Disney, TM & ©ABC Family

P/N 6478670000