

BEYBLADE

TOPS

Metal Draciel™ Attack Type Competitive Grade

Includes unassembled BEYBLADE top, launcher, ripcord and instructions. Assembly required. No tools needed.

AGES 8+
82537/82500 Asst.

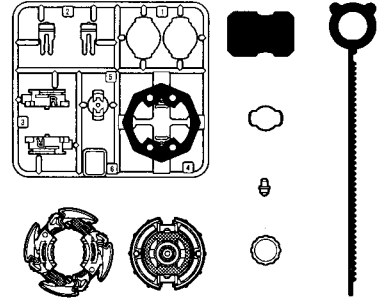


⚠ WARNING: Do not use BEYBLADE tops or Beystadium™ on tables or other elevated surfaces.

BEYBLADE tops/Beystadium are intended to be used on the floor. Do not lean over the stadium when BEYBLADE tops are in play. BEYBLADE tops may bounce up and hit eye or face.

- Before assembly and playing, please read instructions. Please keep these instructions for future reference.
- When removing parts from runner frame, ask an adult to help you trim off any excess plastic using scissors or other suitable tool.
- The frame is numbered. Please follow the numbers carefully and make sure you are assembling the right parts.
- Discard plastic bags immediately.

PARTS:
Runner Frame Parts, Blade Base, Attack Ring, Metal Tip, Metal Weight Gear, Right-Spin Launcher, Ripcord



BUILD:

1

Metal Weight Gear

Place Metal Weight Gear on ⑤ gear.

2

Snap both halves of ③ Right Spin Gear around gear, enclosing Metal Weight Gear.

3

Peel and apply stickers as shown.

Attack Ring

Blade Base

4

Insert ⑥ Metal Change Tip firmly into Blade Base.

5

Insert ② Attachments into Blade Base until the tips are just past the knobs. Do not insert attachments all the way in at this time.

6

Place Right Spin Gear into Blade Base.

7

Snap Attachments all the way into Blade Base to secure Right Spin Gear.

8

Place ④ Weight Disk on Blade Base.

9

Place Attack Ring onto Blade Base, aligning tabs on ring with grooves on spin gear. Turn ring to the left until it locks onto base. (To remove ring from base, turn ring to the right.)

10

Clear Cover

Place one Bit Chip on Attack Ring. Attach clear cover to Attack Ring.

11

Your BEYBLADE top is now ready for battle!

A

Insert ripcord into launcher as shown.

NOTE: Use left-spin launchers for Left Spin Gears; use right-spin launchers for Right Spin Gears.

B

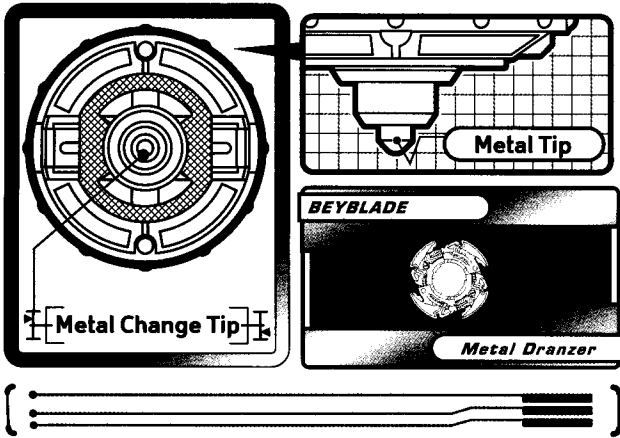
Insert posts on launcher into openings in BEYBLADE top, as shown.

C

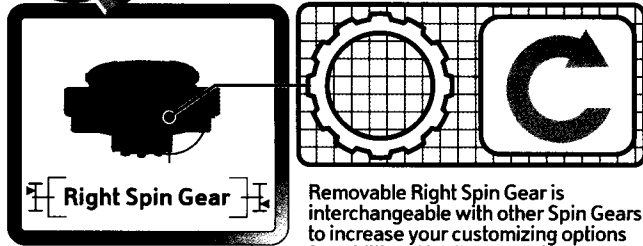
Hold lower half of launcher and rotate BEYBLADE top left to lock it in place.

D

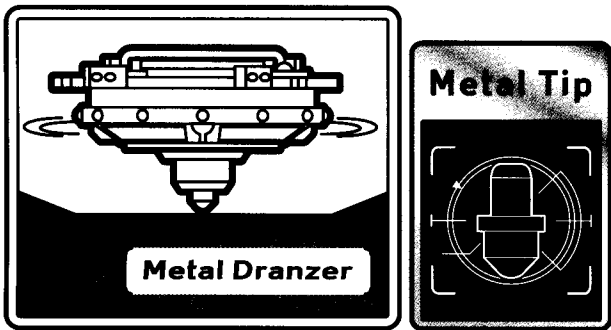
Holding the launcher securely, pull the ripcord over the BEYSTADIUM (not included) – the BEYBLADE top will spin... launch... and battle!



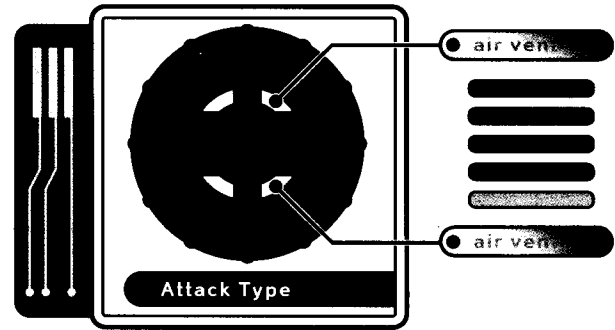
SPIN GEAR SYSTEM



1 LAUNCH



2 BATTLE



CUSTOMIZE FOR EACH BATTLE!

Collect and customize with these interchangeable parts:		By customizing, you can create these different BEYBLADE top types:	
Attack Ring:	contact type	Attack Type:	roams around the stadium
Weight Disk:	speed & momentum	Combination Type:	steady motion
Spin Gear:	spin direction	Endurance Type:	spins for a long time
Blade Base:	movement patterns	Defense Type:	stays in one place

TRIPLE SHOT You and your opponent each battle 3 BEYBLADE tops for triple the action!

1 Get your 3 BEYBLADE tops ready.

2 Decide the play order of your BEYBLADE tops.

3 ▶ Round 1
Round 2
Round 3

To start the game, players launch their first BEYBLADE top.

4 Play three rounds.

5 ▶ Round 1
▶ Round 2
▶ Round 3

The player who wins two out of three rounds is the winner!