



HIGH PERFORMANCE TOPS  
METAL MASTER SERIES™

# Metal Draciel™

AGE 8+

82635/82500 Asst.

## 40 Defense Type

Assembly required. No tools needed.

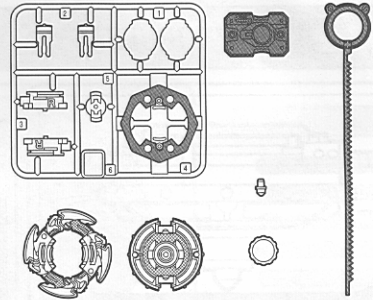
**⚠ WARNING: Do not use BEYBLADE tops or Beystadium™ on tables or other elevated surfaces.**

BEYBLADE tops/BEYSTADIUM are intended to be used on the floor. Do not lean over the stadium when BEYBLADE tops are in play. BEYBLADE tops may bounce up and hit eye or face.

- Before assembly and playing, please read instructions. Please keep these instructions for future reference.
- When removing parts from runner frame, ask an adult to help you trim off any excess plastic using scissors or other suitable tool.
- The frame is numbered. Please follow the numbers carefully and make sure you are assembling the right parts.
- Discard plastic bags immediately.

**PARTS:**

Runner Frame Parts, Blade Base, Attack Ring, Metal Tip, Metal Weight Gear, Launcher, Ripcord



### BUILD:

**1** Peel and apply stickers as shown.

**Attack Ring**

**Blade Base**

**2** Place Metal Weight Gear on **5** gear.

**Metal Weight Gear**

**3** Snap both halves of Spin Gear **3** around shaft. Make sure Metal Weight Gear and **5** are in the grooves.

**4** Insert tip into Blade Base.

**5** Insert Attachments **2** into Blade Base until the tips are just past the knobs. Do not insert attachments all the way in at this time.

**6** Place Right Spin Gear into Blade Base.

**7** Snap Attachments **2** all the way into Blade Base to secure Spin Gear.

**8** Place **4** Weight Disk on Blade Base.

**9** Place one Bit Chip **1** to Attack Ring.

**10** Place Attack Ring on Blade Base, aligning tabs on ring with grooves on spin gear. Turn ring to the **LEFT** until it locks onto spin gear. (To remove ring from gear, turn ring to the right.)

**LEFT TO LOCK**

**11** Your BEYBLADE top is now ready for battle!

### LAUNCH:

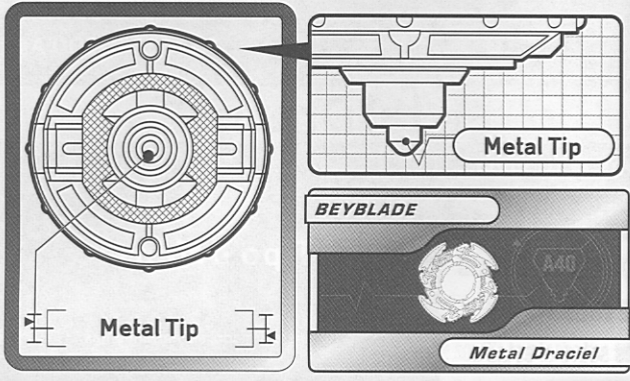
**A** Insert ripcord into launcher as shown.

**NOTE:** Use left-spin launchers for Left Spin Gears; use right-spin launchers for Right Spin Gears.

**B** Insert posts on launcher into openings in BEYBLADE top, as shown.

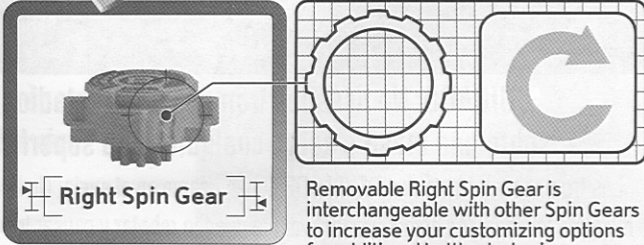
**C** Hold lower half of launcher and rotate BEYBLADE top left to lock it in place.

**D** Holding the launcher securely, pull the ripcord over the BEYSTADIUM (not included) – the BEYBLADE top will spin... launch... and battle!



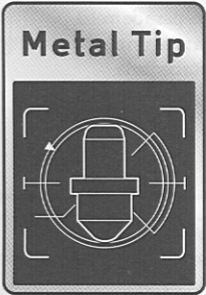
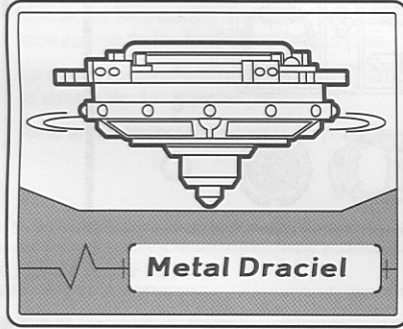
Metal tip is great for endurance battles!

# SPIN GEAR SYSTEM

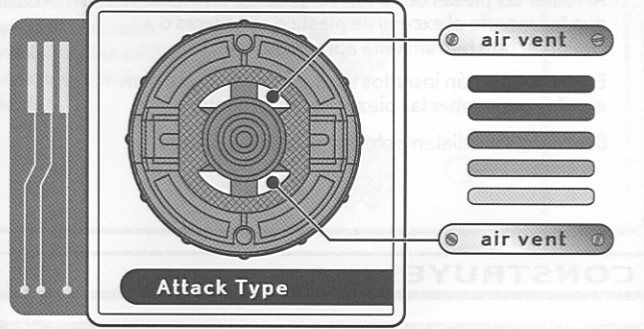


Removable Right Spin Gear is interchangeable with other Spin Gears to increase your customizing options for additional battle strategies.

## 1 LAUNCH



## 2 BATTLE



### CUSTOMIZE FOR EACH BATTLE!

**WHAT IS CUSTOMIZING?**

Customizing is taking parts from different BEYBLADE tops and putting them together to create a new top. Why customize? Because you can change how your top will perform in battle. By switching parts, you can create a top that will perform a certain way. For example, if your opponent has an Attack Type top, you may want to change your top's parts to make it a Defense Type top, to help withstand your opponent's attacks.

Learn all the different types of Attack Rings, Weight Disks and Spin Gears that are available and that you have in your collection. Look at the star chart on the packages to see the strengths of each top's parts and check out the website [beyblade.hasbro.com](http://beyblade.hasbro.com) for more information!

### TRIPLE SHOT You and your opponent each battle 3 BEYBLADE tops for triple the action!

**1**

Get your 3 BEYBLADE tops ready.

**2**

Decide the play order of your BEYBLADE tops.

**3**

▶ Round 1  
Round 2  
Round 3

To start the game, players launch their first BEYBLADE top.

**4**

Play three rounds.

**5**

▶ Round 1  
▶ Round 2  
▶ Round 3

The player who wins two out of three rounds is the winner!



Product and colors may vary. / Le produit et l' ©\* and/or TM\* & © 2003 Hasbro. All Rights F © HUDSON SOFT/TAKARA Licensed by d-right © Aoki Takao•BB2Project•TV Tokyo Licensed by TM & © ABC Family Worldwide, Inc. All Rights