

BEYBLADE

AGES 8+

82509/82500 Asst.

15

TOPS

BAKUSHIN-OH™ Defense Type

Includes unassembled BEYBLADE top, launcher, ripcord and instructions.
Assembly required. Phillips screwdriver needed (not included).

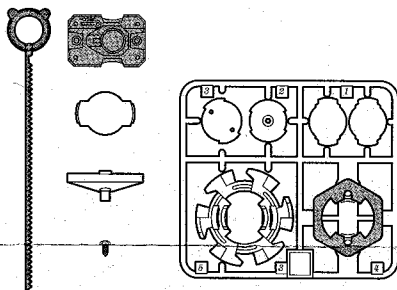
⚠ WARNING: Do not use BEYBLADE tops or Beystadium on tables or other elevated surfaces.

BEYBLADE tops/Beystadium are intended to be used on the floor. Do not lean over the stadium when BEYBLADE tops are in play. BEYBLADE tops may unexpectedly fly off surface and cause eye or facial injury.

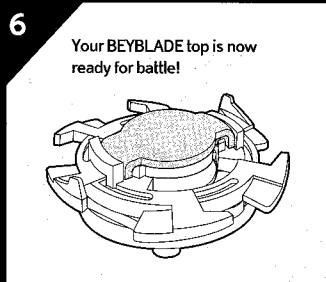
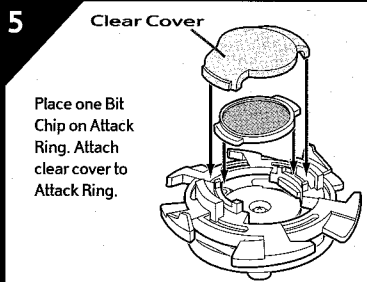
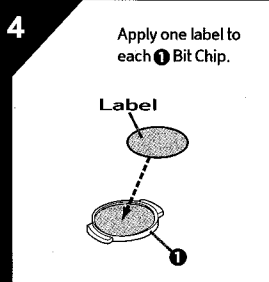
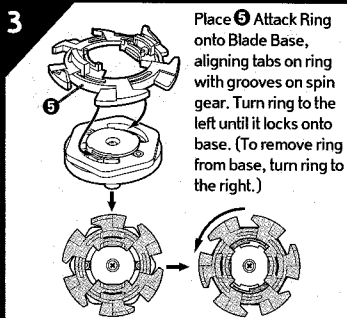
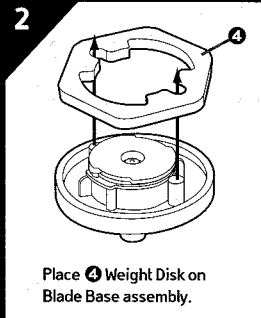
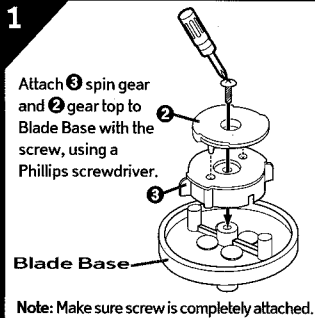
PARTS:

Runner Frame Parts, Blade Base, Clear Cover, Launcher, Ripcord

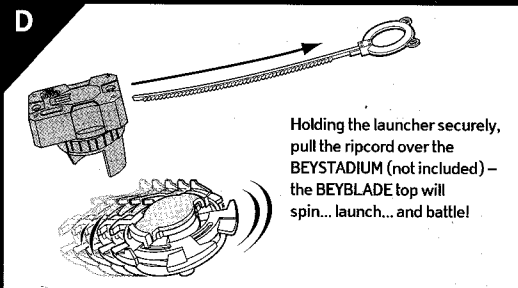
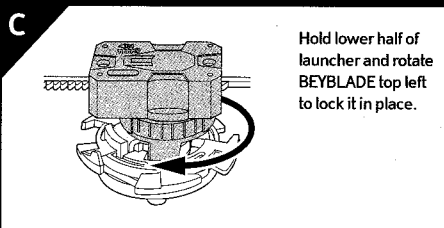
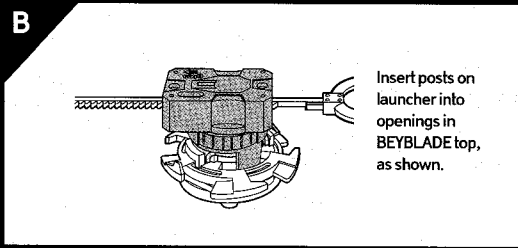
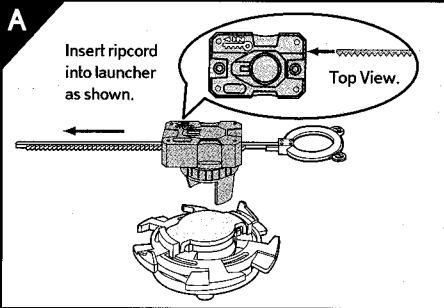
- Before assembly and playing, please read instructions. Please keep these instructions for future reference.
- When removing parts from runner frame, ask an adult to help you trim off any excess plastic using scissors or other suitable tool.
- The frame is numbered. Please follow the numbers carefully and make sure you are assembling the right parts.
- Discard plastic bags immediately.



BUILD:



LAUNCH:



CUSTOMIZE FOR EACH BATTLE!

Interchange parts with other BEYBLADE tops to customize for different winning strategies!
The more BEYBLADE tops you collect, the more customizing you can do!

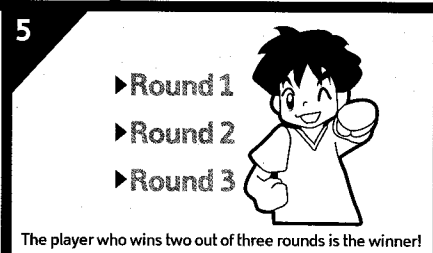
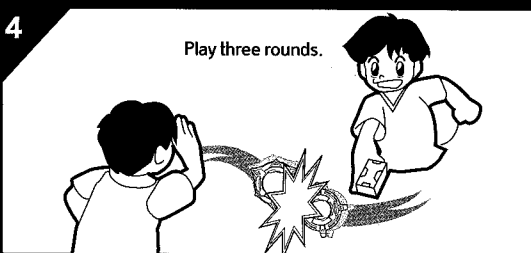
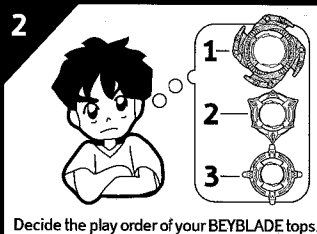
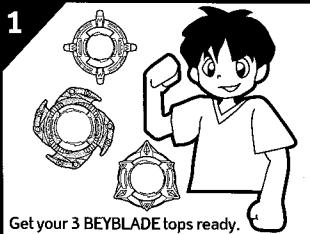
Collect and customize with these interchangeable parts:

Attack Ring:	contact type
Weight Disk:	speed & momentum
Spin Gear:	spin direction
Blade Base:	movement patterns

By customizing, you can create these different BEYBLADE top types:

AttackType:	rooms around the stadium
Combination Type:	steady motion
Endurance Type:	spins for a long time
Defense Type:	stays in one place

TRIPLE SHOT You and your opponent each battle 3 BEYBLADE tops for triple the action!



Product and colors may vary.

©, ®, TM & © 2001 Hasbro. All Rights Reserved.

© denotes Reg. U.S. Pat. & TM Office.

Manufactured under license from Takara Co., Ltd.

© HUDSON SOFT/TAKARA-BEY BLADE PROJECT-TV TOKYO



P/N 6120160000