

BEYBLADE

TOPS

DRIGER S™ Combination Type

AGES 8+
82517/82500 Asst.

35



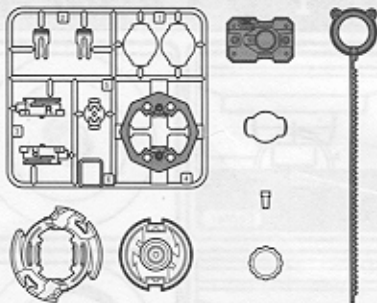
WARNING: Do not use BEYBLADE tops or Beystadium on tables or other elevated surfaces.

BEYBLADE tops/Beystadium are intended to be used on the floor. Do not lean over the stadium when BEYBLADE tops are in play. BEYBLADE tops may unexpectedly fly off elevated surfaces and cause eye or facial injury.

Includes unassembled BEYBLADE top, launcher, ripcord and instructions. Assembly required. No tools needed.

- Before assembly and playing, please read instructions. Please keep these instructions for future reference.
- When removing parts from runner frame, ask an adult to help you trim off any excess plastic using scissors or other suitable tool.
- The frame is numbered. Please follow the numbers carefully and make sure you are assembling the right parts.
- Discard plastic bags immediately.

PARTS:
Runner Frame Parts, Blade Base, Attack Ring, Clear Cover, Metal Change Tip, Metal Weight Gear, Right-Spin Launcher, Ripcord

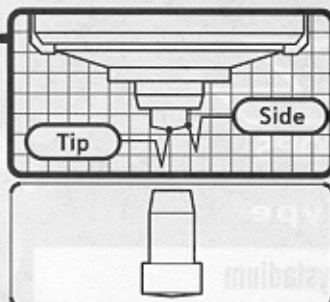


BUILD:

- 1** Place Metal Weight Gear on **1** gear.
- 2** Snap both halves of **2** Right Spin Gear around gear, enclosing Metal Weight Gear.
- 3** Peel and apply stickers as shown. **Attack Ring** **Blade Base**
- 4** Insert **4** Metal Change Tip firmly into Blade Base.
- 5** Insert **5** Attachments into Blade Base until the tips are just past the knobs. Do not insert attachments all the way in at this time.
- 6** Place Right Spin Gear into Blade Base.
- 7** Snap Attachments all the way into Blade Base to secure Right Spin Gear.
- 8** Place **8** Weight Disk on Blade Base.
- 9** Place Attack Ring onto Blade Base, aligning lugs on ring with grooves on spin gear. Turn ring to the left until it locks onto base. (To remove ring from base, turn ring to the right.)
- 10** **Clear Cover**
Place one Bit Chip on Attack Ring. Attach clear cover to Attack Ring.
- 11** Your BEYBLADE top is now ready for battle!

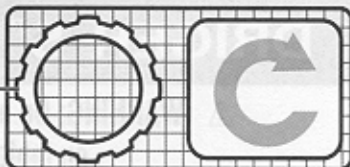
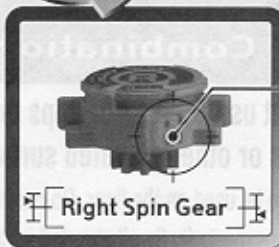
LAUNCH:

- A** Insert ripcord into launcher as shown. **Top View**
- B** Insert posts on launcher into openings in BEYBLADE top, as shown.
- C** Hold lower half of launcher and rotate BEYBLADE top left to lock it in place.
- D** Holding the launcher securely, pull the ripcord over the BEYSTADIUM (not included) – the BEYBLADE top will spin... launch... and battle!



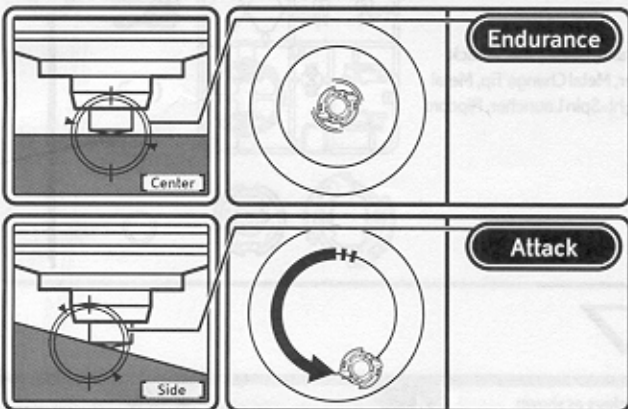
Metal Change Tip: Two modes! The point of the tip is used for endurance mode and the side surfaces are used in attack mode. Launch into the center of the stadium for long-spinning endurance mode. Launch to the side of the stadium for high-speed attack mode. The top changes mode as it moves from one area to the other area.

SPIN GEAR SYSTEM

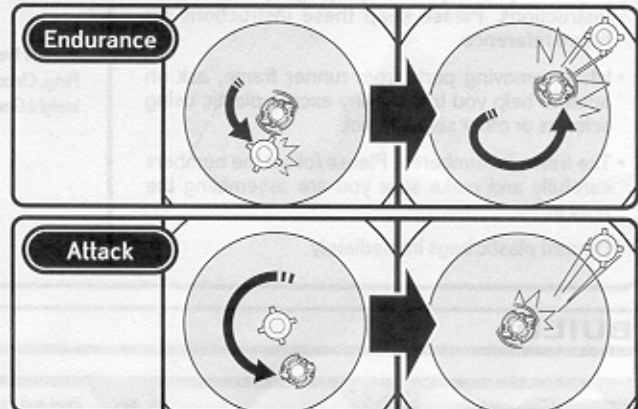


Removable Right Spin Gear is interchangeable with other Spin Gears to increase your customizing options for additional battle strategies.

1 LAUNCH



2 BATTLE



CUSTOMIZE FOR EACH BATTLE!

Interchange parts with other BEYBLADE tops to customize for different winning strategies! The more BEYBLADE tops you collect, the more customizing you can do!

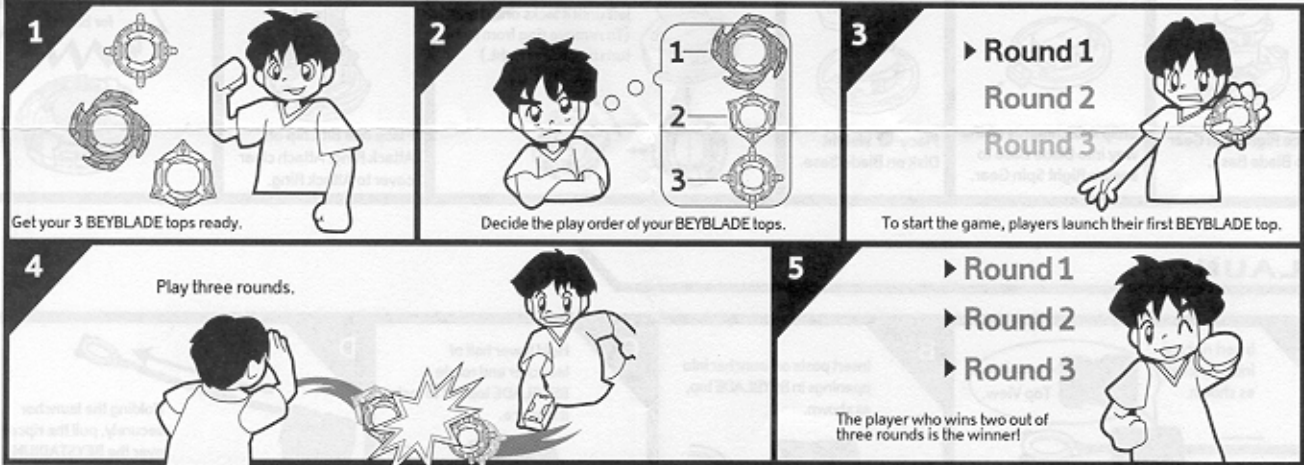
Collect and customize with these interchangeable parts:

Attack Ring:	attack method
Weight Disk:	balance & stamina
Spin Gear:	spin direction
Blade Base:	movement patterns

By customizing, you can create these different BEYBLADE top types:

Attack Type:	rooms around the stadium
Combination Type:	steady motion
Endurance Type:	spins for a long time
Defense Type:	stays in one place

TRIPLE SHOT You and your opponent each battle 3 BEYBLADE tops for triple the action!



Product and colors may vary.

©, *TM & © 2001 Hasbro. All Rights Reserved.

® denotes Reg. U.S. Pat. & TM Office.

Manufactured under license from Takara Co., Ltd.

© HUDSON SOFT/TAKARA-BEY BLADE PROJECT-TV TOKYO

P/N 6137170000