



Ages: 12-36 mos.
Weight Limit: 40 lbs.



Big Bird Ride-On

ASSEMBLY INSTRUCTIONS



For future reference, our toll-free consumer service number is also located on this product.

PLEASE KEEP THIS GUIDE AND ALL LITERATURE FOR FUTURE REFERENCE

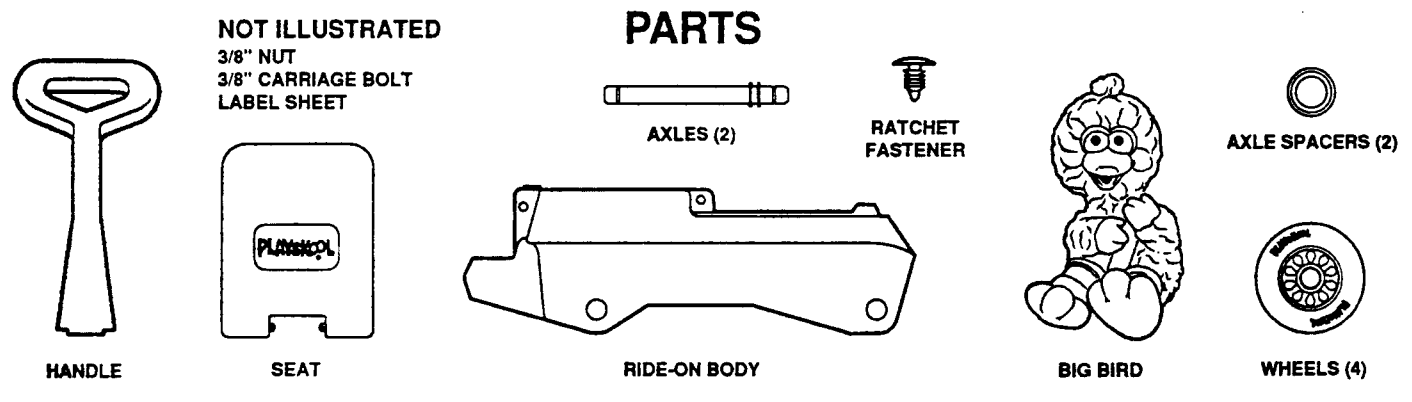
Adults Please Note: This product should be assembled by an adult. Periodically check hardware to be sure it is secure. Please read instructions prior to assembly. Study each step carefully to familiarize yourself with procedure and parts.

ADULT SUPERVISION AND ASSEMBLY REQUIRED.

TOOLS NEEDED FOR ASSEMBLY: Regular Screwdriver, Hammer, Block of Wood (not included.)

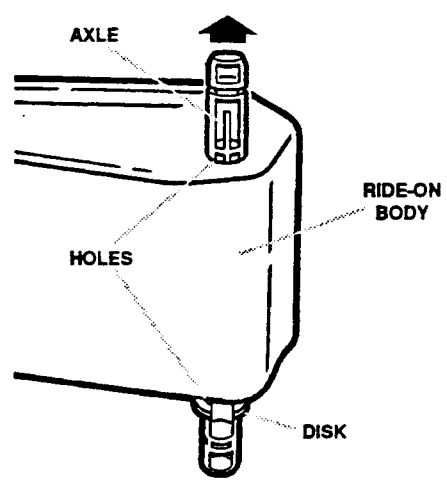
CAUTION: ADULT SUPERVISION AND INSTRUCTION REQUIRED REGARDING THE PROPER USE OF THIS TOY. THIS RIDE-ON TOY SHOULD NOT BE USED NEAR SWIMMING POOLS, ON OR NEAR HILLS, ROADWAYS, SLOPED DRIVEWAYS, ALLEYS OR STEPS. SHOES MUST BE WORN AT ALL TIMES. ONLY ONE RIDER AT A TIME. DO NOT RIDE AFTER DARK. DO NOT CARRY ANYTHING, PARTICULARLY OBJECTS THAT IMPAIR VISION, WHILE RIDING THIS TOY. DO NOT LEAVE CHILD UNATTENDED WHILE RIDING THIS TOY.

PARTS

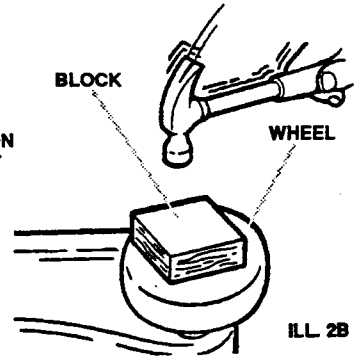
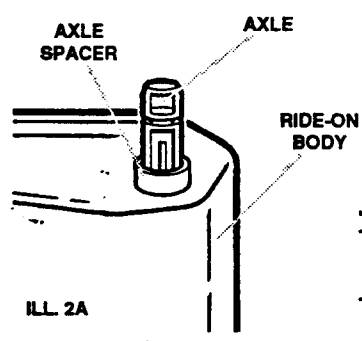


TO ASSEMBLE

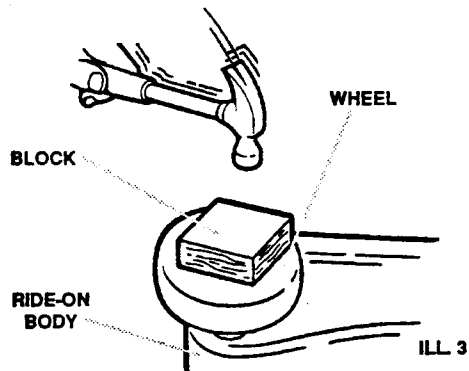
IMPORTANT NOTE: DO NOT PUT WHEELS ONTO AXLES BEFORE SLIDING AXLES THROUGH BODY



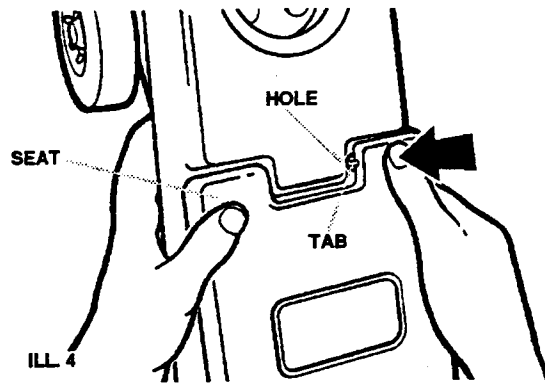
1. Slide axles through holes in ride-on body. Turn body onto its side so that ends of axles without attached disks face up as shown.



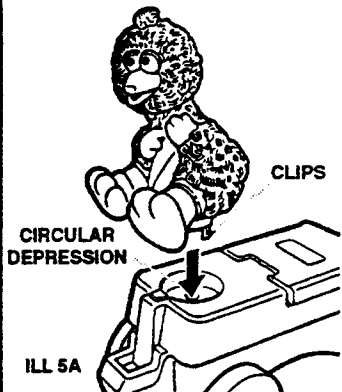
2. Twist and remove axle spacers from holding frame (trim any sharp edges on spacers). Slide spacer onto each axle until flush against ride-on body as shown (ILL. 2A). Place wheel onto axle, then block of wood onto wheel. With bottom of axle end resting on a flat surface, secure each wheel to axle by tapping block of wood with a hammer until ridge in center of wheel rests in groove on axle (ILL. 2B). Repeat for other wheel on same side.



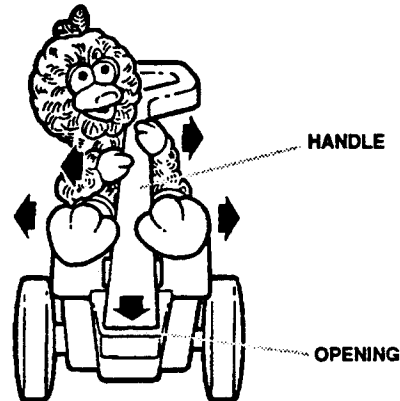
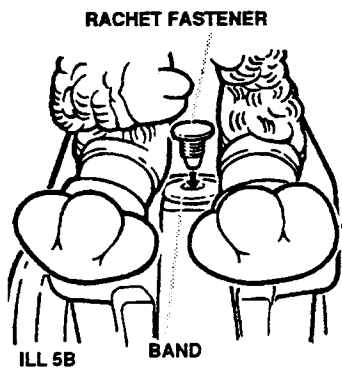
3. Flip body onto other side. Place wheel onto axle (no spacers are needed), then block of wood onto wheel and secure each wheel as indicated in step 2.



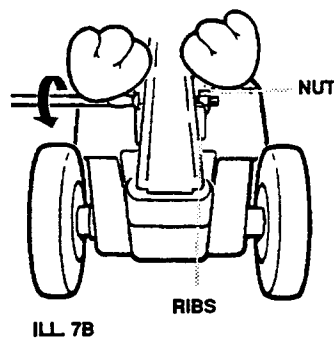
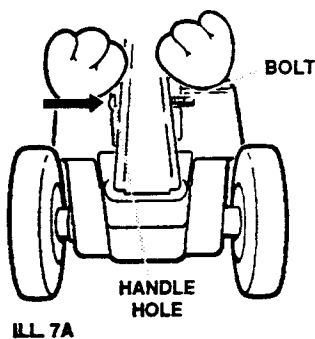
4. To secure seat to wagon body, slide tab in seat into hole in body, then push down on seat to engage other tab and hole.



5. To attach Big Bird to body, snap clips on bottom of Big Bird into holes inside circular depression on body (ILL. 5A). Press ratchet fastener through band and into hole in body (ILL. 5B).
Note: To fully insert ratchet fastener, it may be necessary to tap fastener into hole with a hammer.



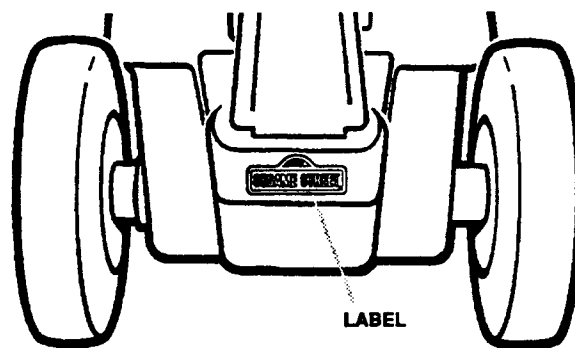
6. Spread Big Bird's feet apart and place the lower end of handle between them. Insert end of handle into opening in body. Spread Big Bird's hands apart and fit handle between them as shown.



7. To secure handle to ride-on body, slide bolt through handle hole (hole between wider-spaced ribs), then through holes in ride-on body and other handle hole (ILL 7A).

Place the nut over end of bolt and, with a regular screwdriver, screw bolt into nut (ILL 7B).

Note: Nut and head of bolt should fit between ribs; when fit properly, nut will not turn as the bolt is being tightened.



8. Peel and apply label as shown.

If you have any questions, comments, or need additional information concerning this product or its parts, please call our Playskool Consumer Service hotline at 1-800-PLAYSKL (1-800-752-9755), Monday through Friday, 8:00 AM to 5:00 PM Eastern Time.

All written inquiries should be mailed to: Playskool Consumer Service Department, P.O. Box 200, Pawtucket, Rhode Island 02862-0200

© 1991 Children's Television Workshop. Big Bird © 1991 Jim Henson Productions, Inc. Big Bird is a trademark of Jim Henson Productions, Inc. Sesame Street and the Sesame Street Sign are trademarks and service marks of the Children's Television Workshop.

© 1991 Playskool, Inc., Pawtucket, RI 02862 U.S.A., a subsidiary of Hasbro, Inc. All Rights Reserved.

Distributed in the U.K. by Playskool (U.K.), a division of Hasbro Bradley U.K. Ltd., Caswell Way, Newport, Gwent, NP9 0YH.

Made in Brazil.

® denotes Reg. U.S. Pat. & TM Office

50040 P/N 42449701