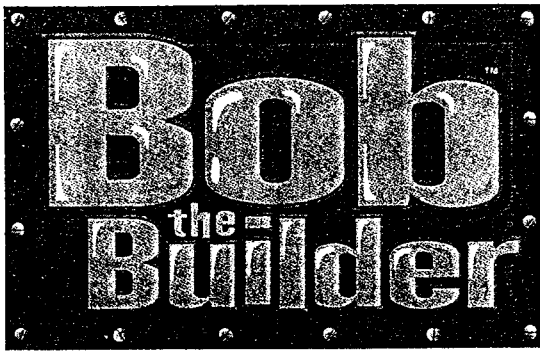


For 2 or More Players  
Ages 4 and Up



# Bricklaying Game



## CONTENTS:

Motorized Jackhammer, 21 Colored Bricks, Label Sheet, Jumbo Die, Wall Setup Guide.

## OBJECT:

Hammer bricks out of the wall and stack them on top, but don't knock down the Bob the Builder™ brick.

## THE FIRST TIME YOU PLAY

### ASSEMBLE THE BRICKS:

Each brick has 2 halves, which you must fit together. To do this, separate the brick halves into pairs of identical sizes and colors. Press each matching pair together as shown in Figure 1.

### APPLY DIE LABELS:

Carefully apply one label to each side of the die.

### APPLY BOB THE BUILDER BRICK LABELS:

Take one of the light colored triple bricks and apply the Bob the Builder brick label to opposite sides as shown in Figure 2.

FIGURE 1

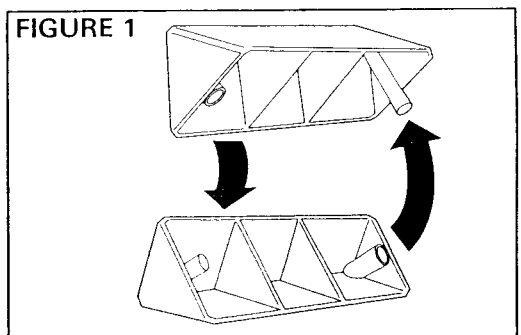
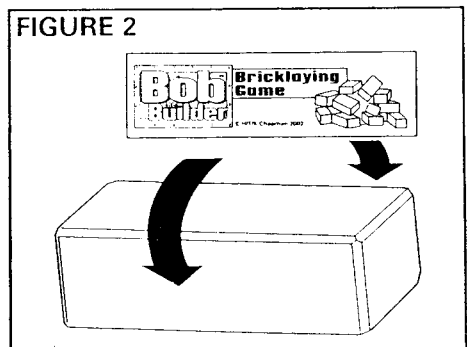


FIGURE 2



## CAUTION TO AVOID BATTERY LEAKAGE

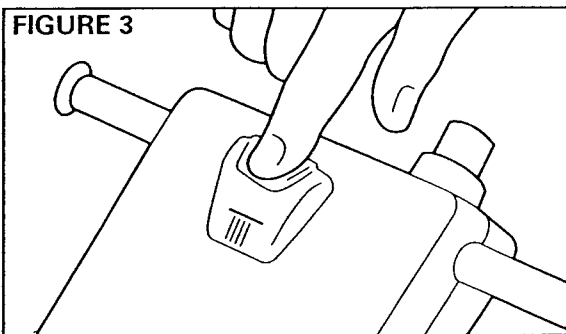
1. Be sure to insert the batteries correctly and always follow the game and battery manufacturers' instructions.
2. Do not mix old and new batteries, or alkaline, standard (carbon-zinc), or rechargeable (nickel-cadmium) batteries.
3. Always remove weak or dead batteries from the product.

## INSERT BATTERIES:

Loosen the screw on the battery compartment, located on the back of the jackhammer, and remove the door. Insert 2 AA-size batteries (we recommend alkaline), making sure to match the + and - symbols with the markings in the plastic. Replace the door and tighten the screw.

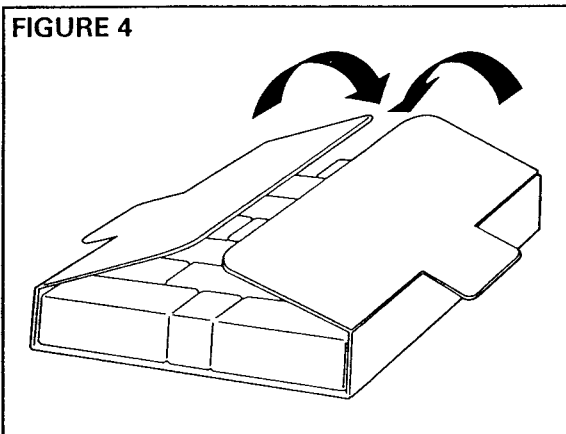
## Test Batteries:

Press down on the jackhammer's switch as shown in Figure 3. The tip of the jackhammer should move in a continuous back-and-forth motion. If it does not do this, the batteries might be weak or improperly installed.



## GAMEPLAY

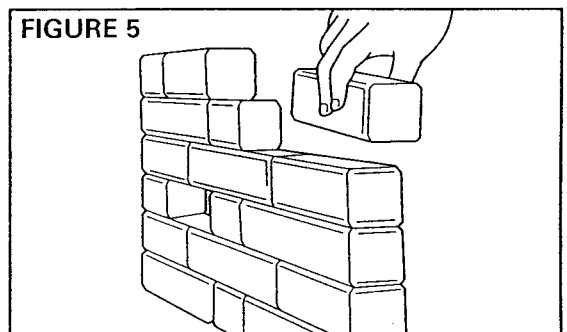
Lay the WALL SETUP GUIDE flat on a table with the brick diagram facing up. Lay your bricks on top of this guide matching the colors and sizes to those shown. When all the bricks are in place, fold the edges of the guide around to hold them together as shown in Figure 4. Now, tip the GUIDE forward (with the bricks inside) and stand up the wall. Carefully, open and remove the WALL SETUP GUIDE.



Players should sit on either side of the brick wall. Do not sit on the ends ... you can't hammer from there. The youngest player goes first. Play then passes to the left.

## ON YOUR TURN

- 1. Roll the Die and Pick a Brick.** Roll the die and choose one brick of the color you rolled. This is the brick you will try to hammer out of the wall. If you roll Bob's spade, choose any color brick to hammer out.
- 2. Hammer Out the Brick.** Use the jackhammer to hammer your chosen brick out of the wall. You can hammer from either side of the wall.
- 3. Stack the Brick.** Stack the hammered-out brick on top of the wall, on the same level as the Bob the Builder brick or above. Always stack the brick so it sits horizontally. See Figure 5.



Now pass the die and the jackhammer to the player on your left. This ends your turn.

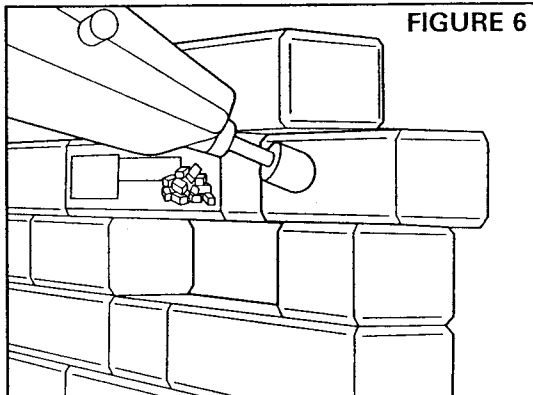
If the Bob the Builder brick falls onto the playing surface at any time during your turn, you're out of the game! In a 2-player game, that means the other player wins!

## USING THE JACKHAMMER

Take hold of the jackhammer using one or two hands, whichever is more comfortable. Then point the jackhammer's tip at your chosen brick, press and hold the switch and carefully hammer the brick out of the wall. NOTE: You must press the switch before touching any bricks.

## RULES TO HAMMER BY

- You may hammer any brick (of the color rolled) below the level of the Bob the Builder brick.
- You may hammer a brick on the same level as the Bob the Builder brick or above it, only if your chosen brick is covered (at least one brick is touching the top of it) at the beginning of your turn. See Figure 6.



- You must hammer out and stack up the brick you chose to hammer out. If you knock down one or more bricks in addition to your chosen brick, just place the extra bricks out of play. EXCEPTION: If you knock down the Bob the Builder brick, you're out of the game.
- You may change your mind and choose a different brick, of the color you rolled, to hammer out (even after you've begun hammering). But you must make your final decision before knocking any bricks out of the wall.

## How Do You Handle A Wobbly Wall?

By hammering it, of course! Before hammering out your chosen brick, you may hammer other bricks in order to stabilize the wall. Or you may hammer other bricks in order to slide them out of your way so you have a better shot at the brick you've chosen. Use only the jackhammer (never your hands) for this. No more hammering is allowed after your brick is knocked out!

## YOU'RE OUT

If, at any time during your turn, the Bob the Builder brick falls and hits the playing surface, you're out of the game! Set up the entire wall for the remaining players.

## HOW TO WIN

Keep playing until there's only one player left who hasn't knocked down the Bob the Builder brick. That player's the winner!

## A SHORTER GAME THAT'S JUST AS FUN

Set up and play the game as described above, except that the game ends as soon as one player knocks down the Bob the Builder brick. The last player who successfully hammered out and stacked up a brick wins the game!

## STORING THE GAME

Remove the batteries from the jackhammer if storing for an extended time. Then, return all contents to the box and close the lid for easy storage.



We will be happy to take your questions or comments about this game. Write to:  
Hasbro Games, Consumer Affairs Dept., P.O. Box 200,  
Pawtucket, RI 02862. Tel: 800-838-7675 (toll-free).  
Canadian consumers please write to: Hasbro Canada,  
U.S. Box 267 Station A, Langham, Ontario L9H 5X6.

**HASBRO.COM**  
FOR NEW PRODUCTS AND OFFERS

©2002 HIT Entertainment PLC and Keith Chapman.  
The Bob the Builder name and character are trademarks  
of HIT Entertainment PLC. Registered in the UK.

The HASBRO, MILTON BRADLEY and  
MB names, logos and these rules are  
© & © 2002 Hasbro, Pawtucket, RI  
02862. All Rights Reserved.  
PRINTED IN U.S.A. 40734-1

