



Bubble 'n Ride Mower™

50001

Maximum Weight: 43 lbs. (19 kgs.)

Ages 1 1/2-3

WARNING: ADULT SUPERVISION REQUIRED. THIS RIDE-ON TOY IS NOT TO BE USED NEAR SWIMMING POOLS, ON OR NEAR HILLS, ROADWAYS, OR STAIRWAYS. SHOES MUST BE WORN AT ALL TIMES WHEN RIDING THIS TOY. DESIGNED FOR ONLY ONE RIDER AT A TIME.

ADULT ASSEMBLY REQUIRED. Requires 2 "C" batteries (not included). Phillips screwdriver required for battery placement (not included). PLEASE KEEP THIS GUIDE AND ALL LITERATURE FOR FUTURE REFERENCE.

ADULTS PLEASE NOTE: Periodically check all hardware to be sure it is secure. Please read instructions prior to assembly. Study each step carefully to familiarize yourself with procedure and parts. Refer to diagram for illustrated parts list.

PARTS DIAGRAM

Please check all parts carefully before assembly.

A. Mower Body C. Front Axle E. Bubble Solution
 B. Handlebars D. Wheels (4)

A. BUBBLE MAKER

GEAR SHIFT

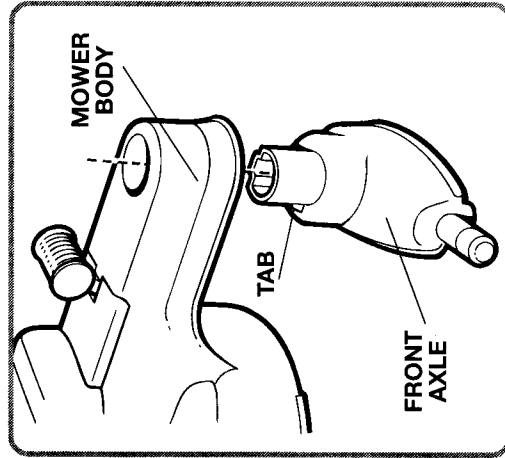
B.

C.

D.

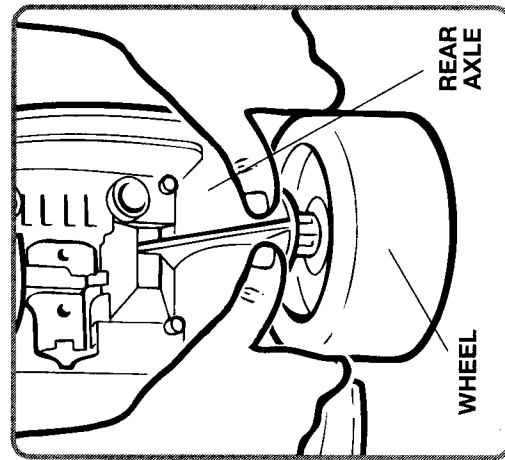
E.

FRONT AXLE/HANDLEBAR ASSEMBLY

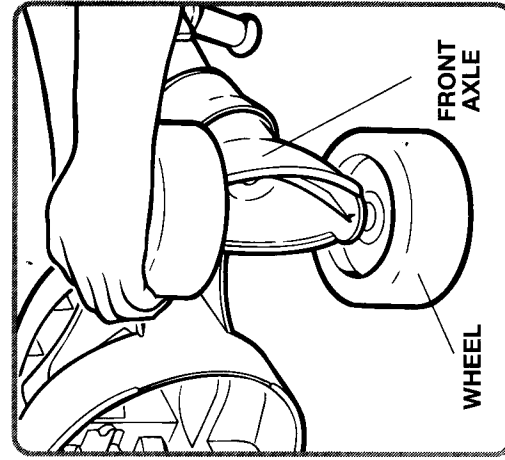


1. Slide front axle through opening in front of mower body. The tab on front axle should be on left side as shown in illustration, for axle to fit properly in body.

WHEEL ASSEMBLY

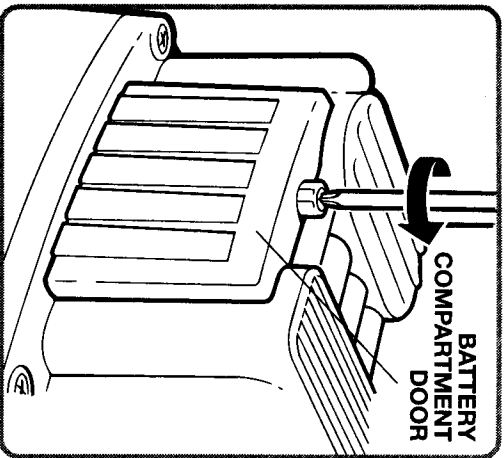


3. **BACK WHEELS:** Turn mower on its side, and place wheel underneath back axle as shown. Press axle down onto wheel, with a twisting action, until wheel snaps firmly into position. **To prevent a pinch hazard, always keep fingers clear of area between wheel and axle.** Repeat process for other side of back axle.

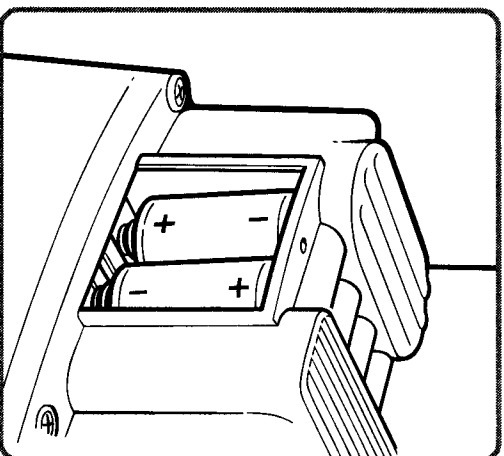


4. **FRONT WHEELS:** Assemble wheels to front axle, pressing them both into place at the same time as shown. All wheels should spin freely on axles. Note: This is a one-time assembly. Once attached, do not remove wheels, as they will not function properly if re-attached.

BATTERY PLACEMENT



5. The bubble maker/motor sound unit requires 2 "C" batteries (not included). The battery compartment is located in the rear of the mower. Use a Phillips screwdriver to loosen the screw that secures the battery compartment door, and remove door. (Note: The screw will remain attached to battery door.)

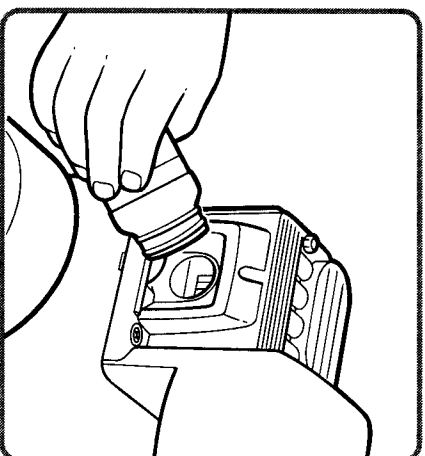


6. Insert 2 "C" batteries into the compartment, following direction indicators inside compartment. Replace door and re-fasten with the screwdriver.

CAUTION: TO AVOID BATTERY LEAKAGE

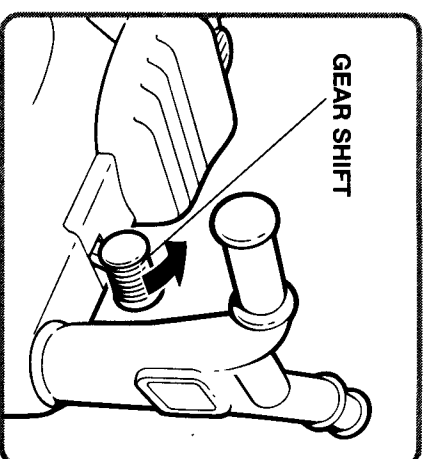
1. Be sure to insert the batteries correctly and follow the toy and battery manufacturer's instructions.
2. Do not mix old and new batteries or alkaline, standard (carbon-zinc) or rechargeable (nickel-cadmium) batteries.
3. Always remove exhausted or dead batteries from the product.
4. Remove batteries if product is stored for a long period of time.

BUBBLE SOLUTION



7. Pour about 1 oz. of the included 4 oz. bottle of bubble solution into the bottom opening in back right side of mower. (When the 4 oz. of solution are used up, the mower can be filled with any standard bubble solution. Please note that not all bubble solutions produce the same results when used.)

PLAY INSTRUCTIONS



9. Your preschool child is ready to roll! And as your preschooler rides the Bubble 'n Ride Mower, he/she can pull the "gear shift" to make fun bubbles and motor sounds! (NOTE: Your child may need to pull the shift a few times for bubble mechanism to start making bubbles.)

MAINTENANCE

8. To keep bubble mechanism working properly, periodically flush it out with water. Pour water into opening until chamber is full, rinse, and tilt mower to the right side to pour water back out. (To thoroughly clean mechanism, you may remove the cover with a Phillips screwdriver, but always remember to replace cover, or mechanism will not work correctly.)



© 1995 Hasbro, Inc.,
Pawtucket, RI 02862 USA.

All Rights Reserved.

® denotes Reg. U.S. Pat. & TM Office.

MADE IN USA.

MOTOR ASSEMBLY MADE IN CHINA.

P/N 45995100 U.S. Patent Pending.

50001