

PLAYSKOOL
toddler

Bumpin' Busy Box®

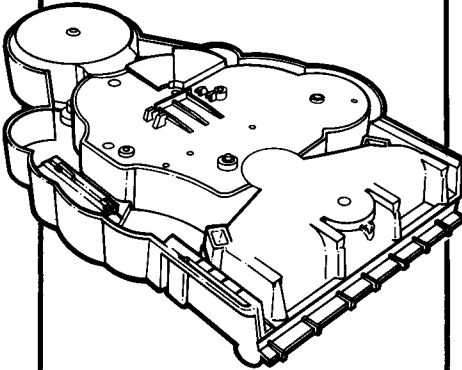
A stand-up floor toy that keeps the fun in motion!

Includes activity toy, easel, and 2 balls.

CAUTION: Not for use inside a crib or playpen, where it may provide a step for children to climb out.

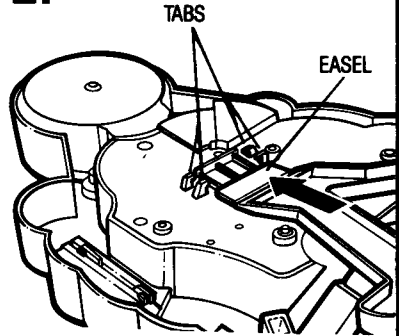
ATTACH THE EASEL TO KEEP TOY STANDING

1.



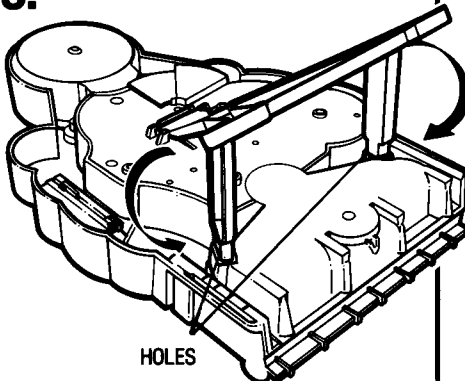
Lay toy flat with back side up.

2.



Slide easel top under tabs in center of toy as shown.

3.



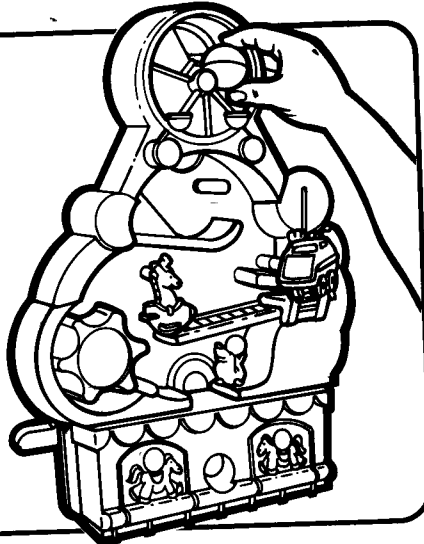
Fold easel arms down and place into side holes near bottom of toy as shown.

START THE FUN ROLLING!

Place toy upright and use in either of two ways:

AS A DELIGHTFUL DROP BOX . . .

Drop one ball onto the ferris wheel at the top of toy and watch as the ball sets a series of exciting activities into motion.



AS A HANDS-ON TOY . . .

Each fun-filled activity can be activated by the touch of a child.

