



# Bumpin' Busy Box®

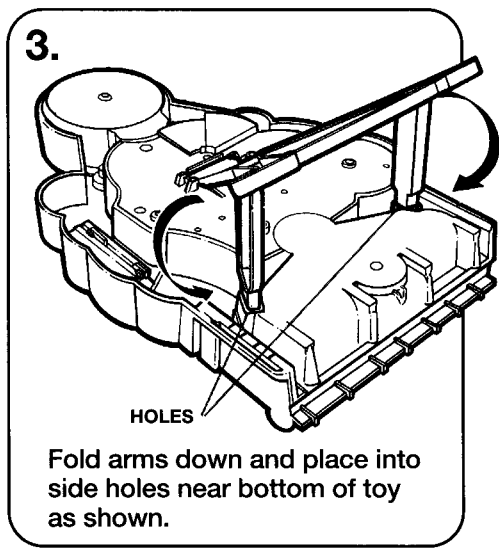
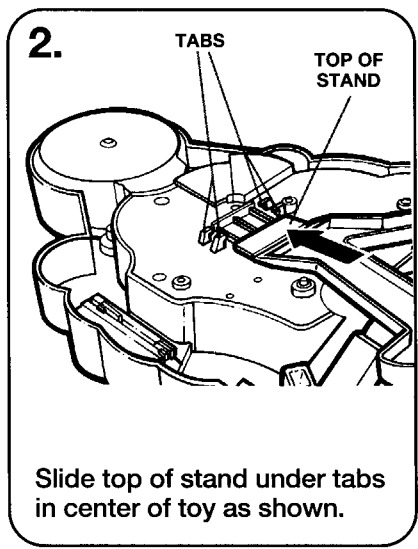
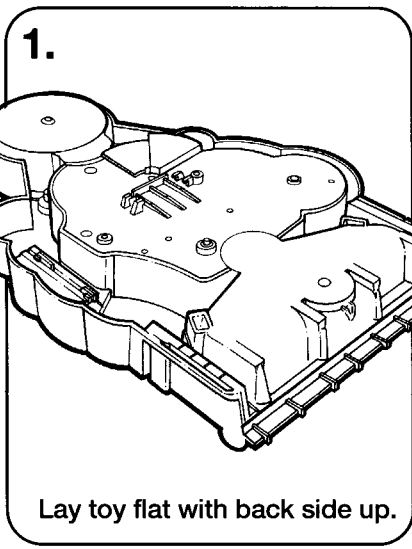
## Instructions



Includes activity toy, stand and 2 balls.

**CAUTION:** Not for use inside a crib or playpen, where it may provide a step for children to climb out.

### ATTACHING STAND TO TOY:



**Parents Note:** This toy is not intended to provide balance for a child, or assist the child when first pulling him/herself up to walk or stand. When used for this purpose, the toy may tip over and cause the child to fall.

Questions? Call: **1-800-PLAYSKL**™

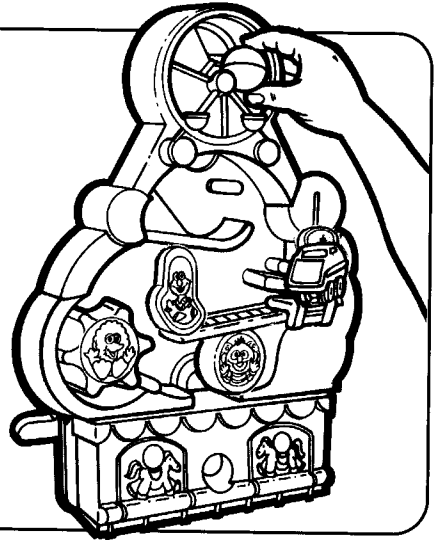
For future reference, our toll-free consumer service number is also located on this product.

## START THE FUN ROLLING!

Place toy upright and use in either of two ways:

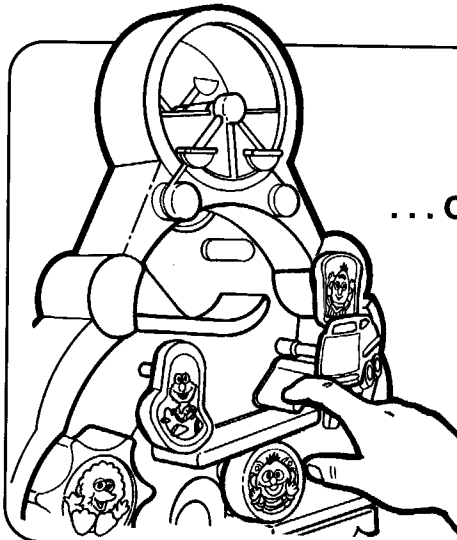
### AS A DELIGHTFUL DROP BOX . . .

Drop one of the balls into the ferris wheel at the top of toy and watch as the ball sets Bert, Ernie and all the other Sesame Street Babies in motion!



### . . . OR AS A HANDS-ON TOY!

Each of the Sesame Street characters' activities can be activated by the touch of a child.



Jim Henson Sesame Street Muppet characters © 1993 Jim Henson Productions, Inc.  
©1993 Children's Television Workshop. Sesame Street Babies and design and the Sesame Street Sign are trademarks of the Children's Television Workshop.  
This product was developed by Playskool in cooperation with Children's Television Workshop, producers of SESAME STREET. Children do not have to watch the television programs to benefit from this product. Workshop revenues from this product will be used to help support CTW educational projects.

©1993 Playskool, Inc., Pawtucket, R.I. 02862 USA, a subsidiary of Hasbro, Inc. All Rights Reserved.  
©denotes Reg. U.S. Pat. & TM Office. **Made in USA.**  
5702 P/N 44062300