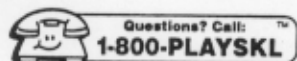




Busy Balls™

Instructions - Basic Set

Ages 2 & U

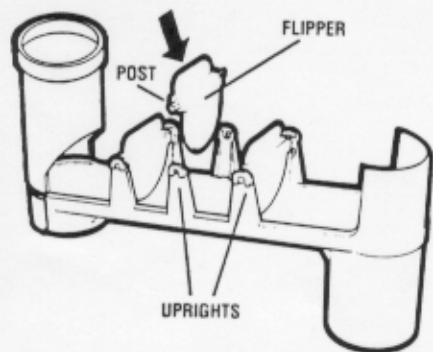


For future reference, our toll-free consumer service number is also located on this product.

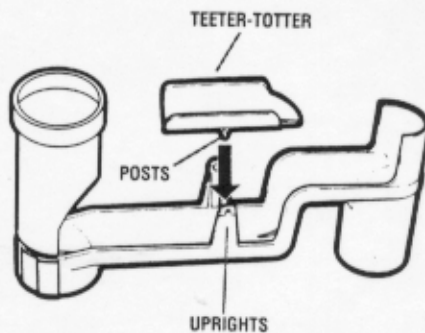
Busy Balls is an exciting, interchangeable track system that will provide your preschooler with lots of flipping fun! Your child can arrange the tracks in any order to create different track combinations, and then drop the chunky, oversized busy balls through the funnel and down the twisting tracks.

Includes 4 tracks, funnel, 3 busy balls and base. All the pieces in Busy Balls Basic Set are interchangeable with the Super Set, and can be used to build even bigger towers!

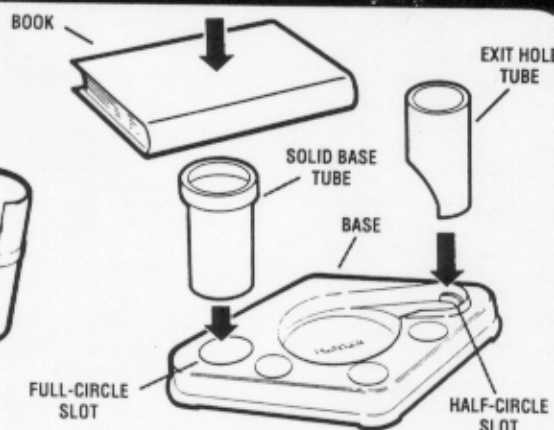
ASSEMBLY



1.) **Flipper track:** Attach posts on flippers to holes on track uprights as shown.



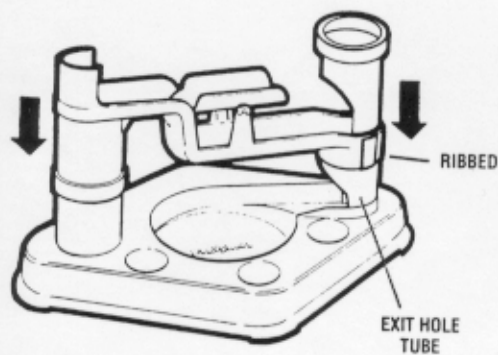
2.) **Teeter-totter track:** Attach posts on teeter-totter to holes on track uprights as shown. Once assembled, teeter-totter should lay in horizontal position, with curved side facing up.



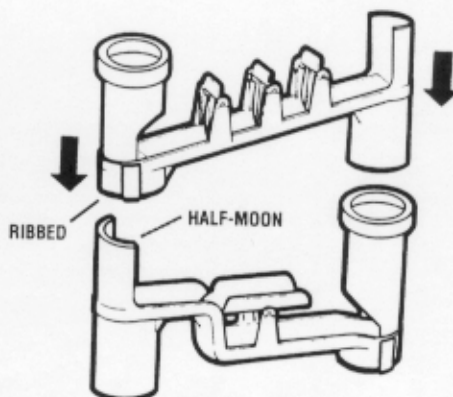
3.) **Base:** Place base on solid, flat surface. Using a hard, flat object (for example, a book), push the base tube with exit hole into the half-circle slot on base. Push the solid base tube into the full-circle slot in the same manner. The 3 dimples on base hold busy balls when not in use.

PLAY FEATURES

Busy Balls tracks are specially designed for easy assembly by your preschooler. The tracks are designed to fit in only one way, and cannot be assembled incorrectly.



To build a tower, pick up any track and line up ribbed bottom of tube with exit hole tube on the base. Press down firmly into place.



Continue to add tracks by lining up ribbed bottom of tube with the half-moon top of tube. Press down firmly into place.



Continue to build your tower by adding track pieces in any order. When track tower is complete, add the funnel by pressing down onto a track tube, and start dropping busy balls into the funnel!