

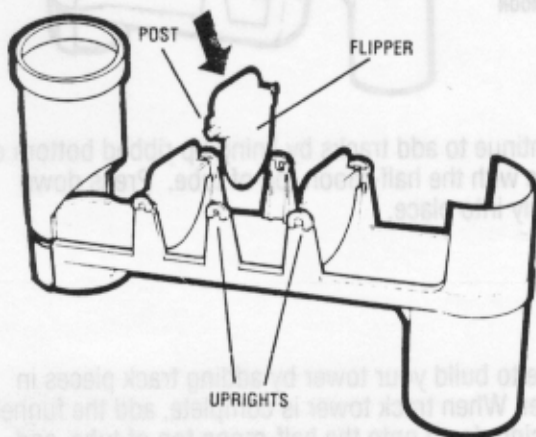
PLAYSKOOL

Busy Balls™**Instructions - Super Set**Questions? Call:
1-800-PLAYSKL

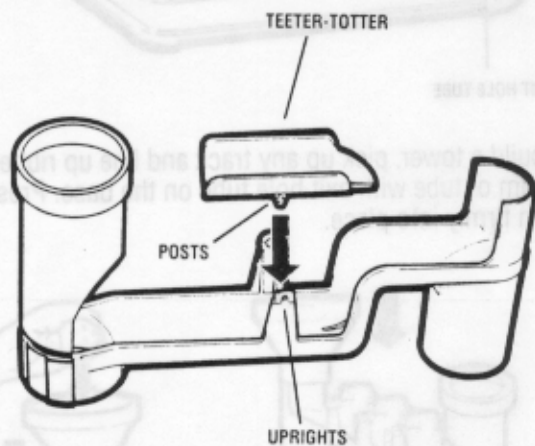
For future reference, our toll-free consumer service number is also located on this product.

Busy Balls is an exciting, interchangeable track system that will provide your preschooler with lots of flipping fun. Your child can arrange the tracks in any order to create different track combinations, and then drop the chunky, oversized busy balls through the funnel and down the twisting tracks.

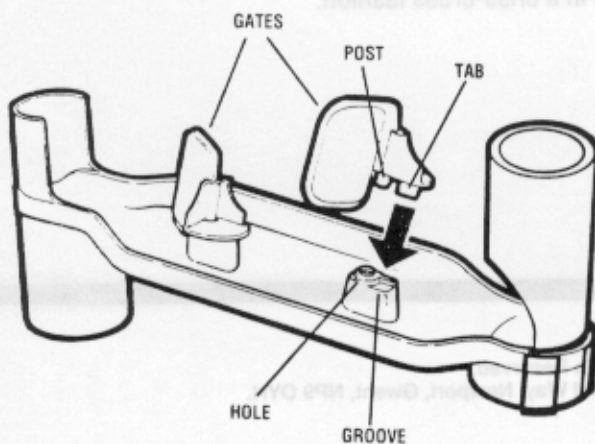
Includes 6 tracks, 2 funnels, 4 busy balls and super-size base. All the pieces in Busy Balls Super Set are interchangeable with the Basic Set, and can be used to build even bigger towers!

ASSEMBLY

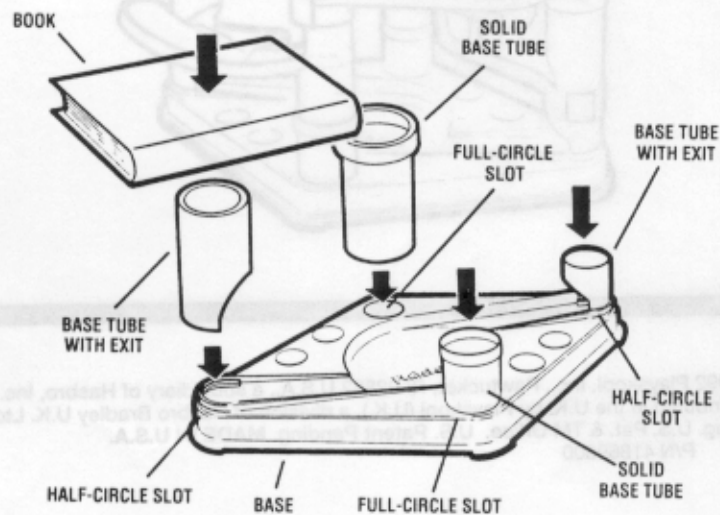
1.) **Flipper track:** Attach posts on flippers to holes on track uprights as shown.



2.) **Teeter-totter track:** Attach posts on teeter-totter to holes on track uprights as shown. Once assembled, teeter-totter should lay in horizontal position, with curved side facing up.



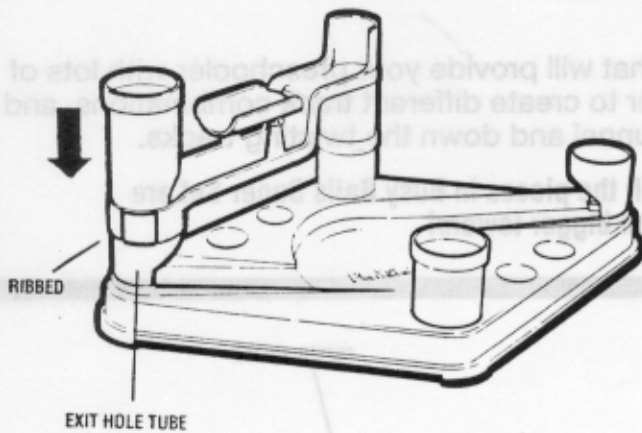
3.) **Gate track:** Line up tab on gate with groove on track, and snap post into hole. Repeat for second gate.



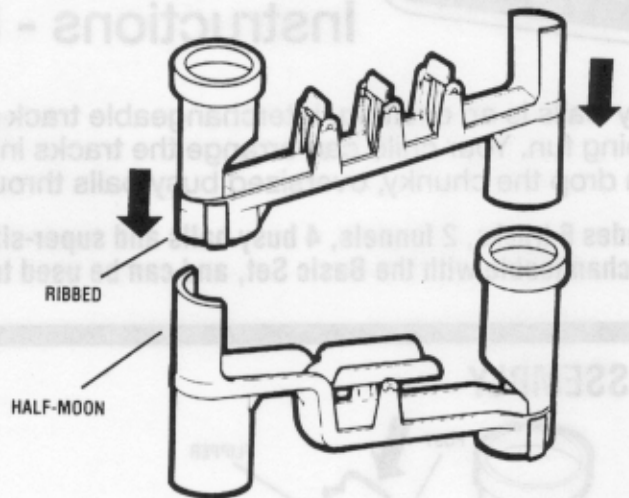
4.) **Base:** Place base on solid, flat surface. Using a hard, flat object (for example, a book), push the 2 base tubes with exit holes into the half-circle slots on base. Push the 2 solid base tubes into the full-circle slots in the same manner. The 4 dimples on base hold busy balls when not in use.

PLAY FEATURES

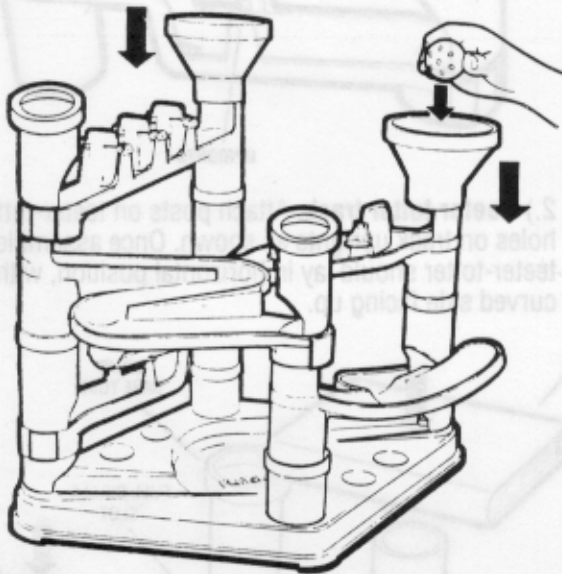
Busy Balls tracks are specially designed for easy assembly by your preschooler. The tracks are designed to fit in only one way, and cannot be assembled incorrectly.



To build a tower, pick up any track and line up ribbed bottom of tube with exit hole tube on the base. Press down firmly into place.



Continue to add tracks by lining up ribbed bottom of tube with the half-moon top of tube. Press down firmly into place.



Continue to build your tower by adding track pieces in any order. When track tower is complete, add the funnels by pressing down onto the half-moon top of tube, and start dropping busy balls into the funnels!

Towers can be built straight up or side by side. For an interesting twist, you can also bridge tracks across the base in a criss-cross fashion.