



Busy® Playhouse Ride-on

Instructions

WARNING: THIS RIDE-ON TOY IS NOT TO BE USED NEAR SWIMMING POOLS, ON OR NEAR HILLS, ROADWAYS OR STAIRWAYS. SHOES MUST BE WORN AT ALL TIMES WHEN RIDING THIS TOY. DESIGNED FOR ONLY ONE RIDER AT A TIME.

ADULT ASSEMBLY REQUIRED. TOOL NEEDED: PHILLIPS SCREWDRIVER (NOT INCLUDED.)

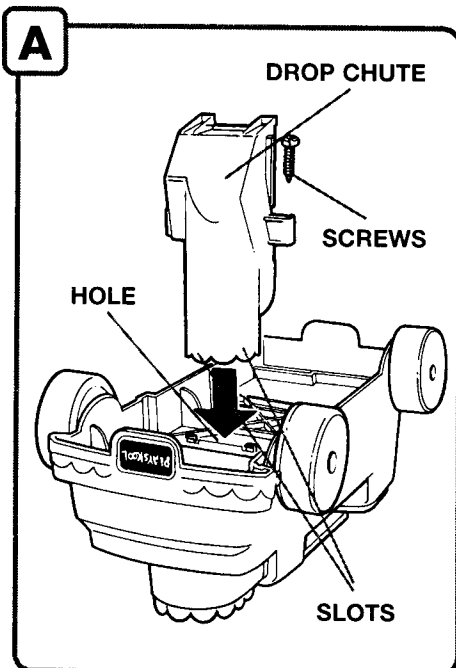
CAUTION: THIS PRODUCT CONTAINS SMALL PARTS WHICH ARE NECESSARY FOR ASSEMBLY. PRIOR TO AND DURING ASSEMBLY OF THIS PRODUCT, KEEP SMALL PARTS OUT OF CHILDREN'S REACH. SMALL PARTS POSE A CHOKE HAZARD TO CHILDREN UNDER 3 YEARS.

Thank you for purchasing this toy! If you have any questions or comments, please call us toll-free at 1-800-PLAYSKL.

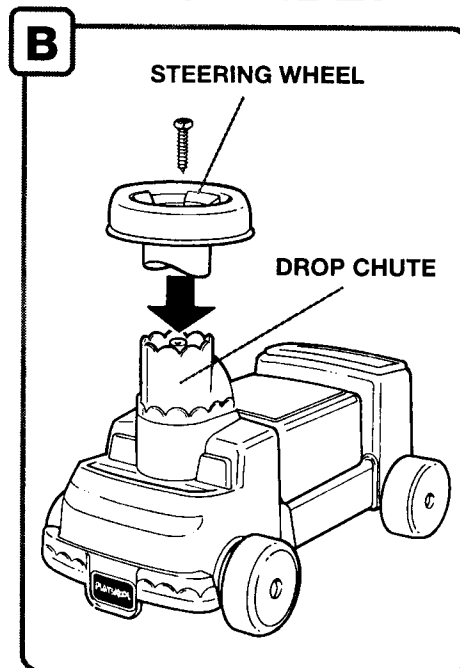
Includes: Playset/ride-on, girl figure, boy figure, triangle, square, circle, car, swing, label sheet and instructions.

REMOVE PIECES FROM POLYBAGS AND DISCARD BAGS IMMEDIATELY.

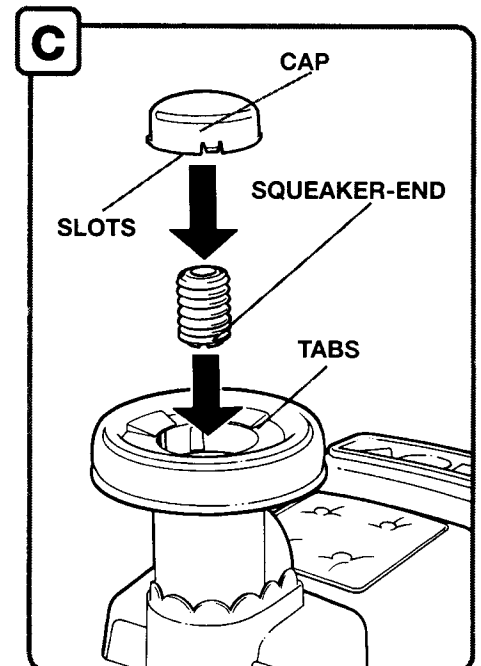
ASSEMBLY



1. Turn playset/ride-on body upside down. Insert drop chute into hole in body. Snap slots on drop chute onto tabs on body. Insert 2 screws into holes in drop chute and tighten with a Phillips screwdriver. (See Illus. A.)



2. Turn playset/ride-on body right side up. Insert base of steering wheel into drop chute. Insert screw into hole in center of steering wheel and tighten with a Phillips screwdriver. (See Illus. B.)



3. Place squeeaker — with squeeaker end **down** — into hole in center of steering wheel. Place cap over center of steering wheel, aligning the 4 slots on the cap with the 4 tabs on the steering wheel, and snap cap onto steering wheel. (See Illus. C.)