

## INSTRUCTIONS

**Ages 9-36 mos.**

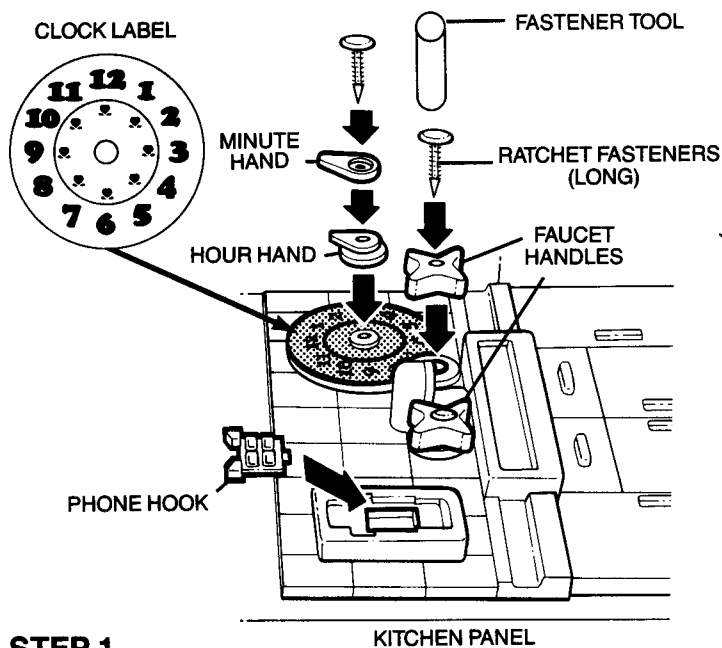
**52200**

**TOOLS NEEDED:** Flathead screwdriver (preferably with a wide blade), Phillips screwdriver, hammer.

Thank you for purchasing this high quality Playskool product. To be sure Busy Toddler Playhouse is correctly assembled, please read carefully and follow each step in these instructions.

**PARTS LIST:**

RATCHET FASTENERS (SHORT) (2)	PLASTIC SCREWS (10 WHITE, 2 YELLOW, 2 RED or BLUE)	METAL SCREWS (2)	FASTENER TOOL
RATCHET FASTENERS (LONG) (3)	PHONE HOOK	RECEIVER	FAUCET HANDLES (2)
DOORBELL BUTTON	SQUEAKER	SLIDE	CLOCK HANDS (2)
DOORBELL HOUSING	DOORKNOB	STEP	RETAINING STRAP
WINDOW PANEL	ROOF PANEL	FENCE PANEL	
FRONT PANEL	KITCHEN PANEL		

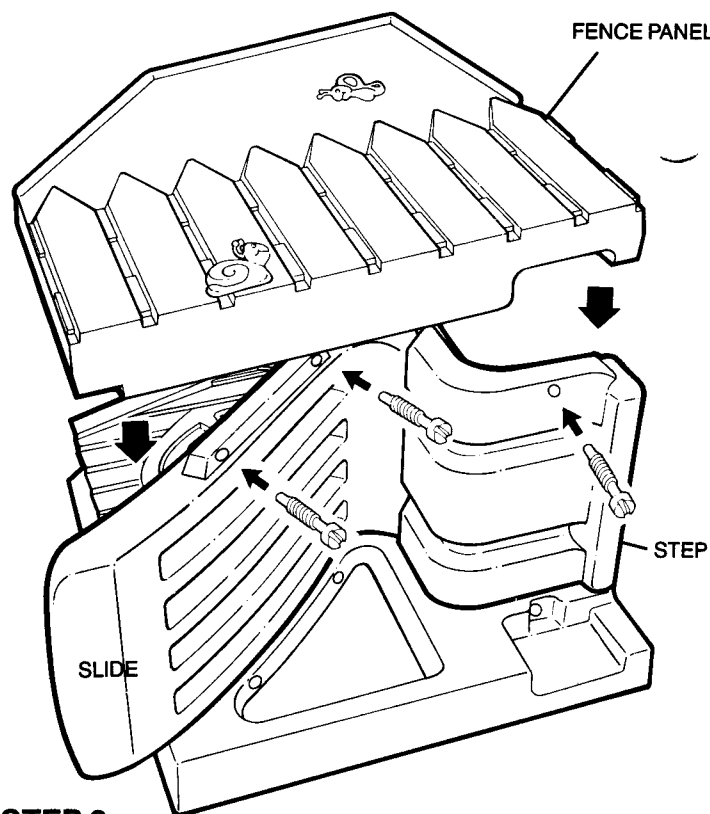


### STEP 1

Lay kitchen panel down with "cabinets" facing up. Press phone hook into recessed area on kitchen panel as shown. Push ratchet fasteners into holes in faucet handles, then push fasteners securely into holes in kitchen panel as shown.

**Note:** hammer and fastener tool should be used if fasteners are difficult to push into holes.

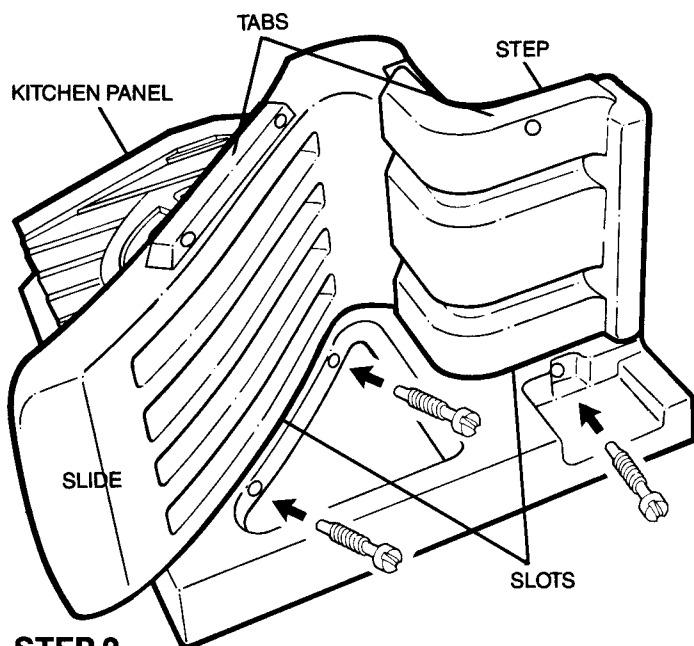
Peel and apply clock label as shown. Push ratchet fastener through minute hand and hour hand holes (longer minute hand goes on top of shorter hour hand), then push fastener securely into hole in kitchen panel as shown. (See above note on hammer and fastener tool.)



### STEP 3

With fence side facing up, fit tabs on slide and step into fence panel slots.

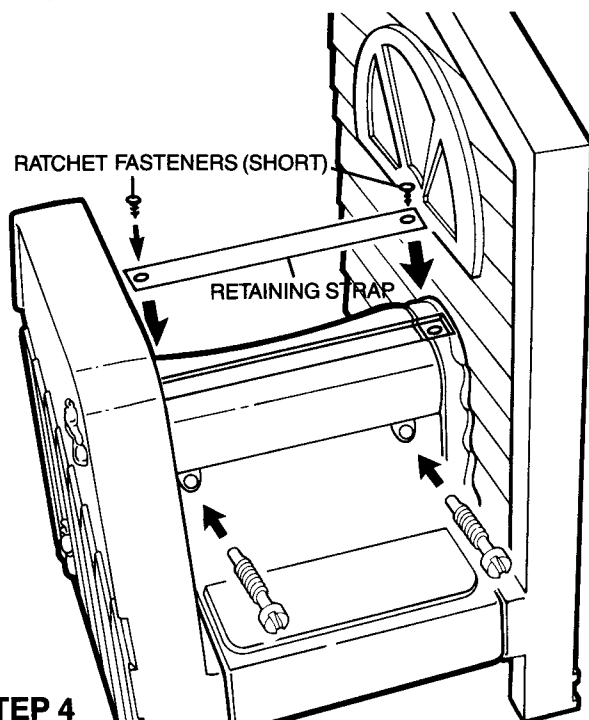
Connect fence panel to slide and step by tightening three white plastic screws into holes in fence panel, slide and step as shown.



### STEP 2

Turn kitchen panel over so that slots on panel face up. Fit tabs on slide and step into slots on kitchen panel. Connect kitchen panel to the slide and step by tightening three white plastic screws into holes in slide, step and kitchen panel as shown.

**Note:** You may find it easier to start the plastic screws by hand. Do not tighten screws completely until all screws in each step have been threaded. Do not overtighten screws.

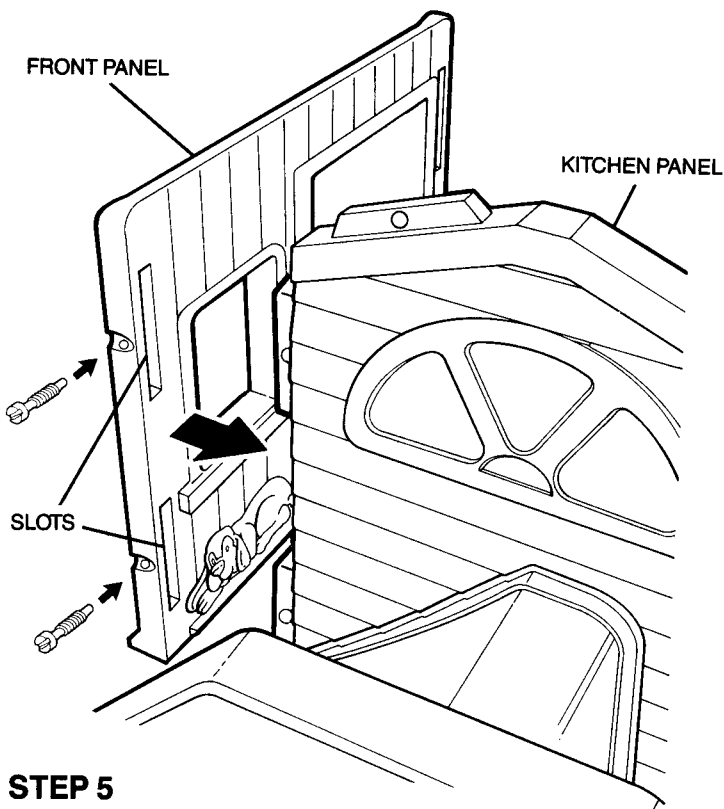


### STEP 4

Turn assembly upright and connect slide to step by tightening two yellow plastic screws into holes in slide and step as shown.

Place retaining strap into groove on top of slide and push two short ratchet fasteners into strap and slide holes as shown.

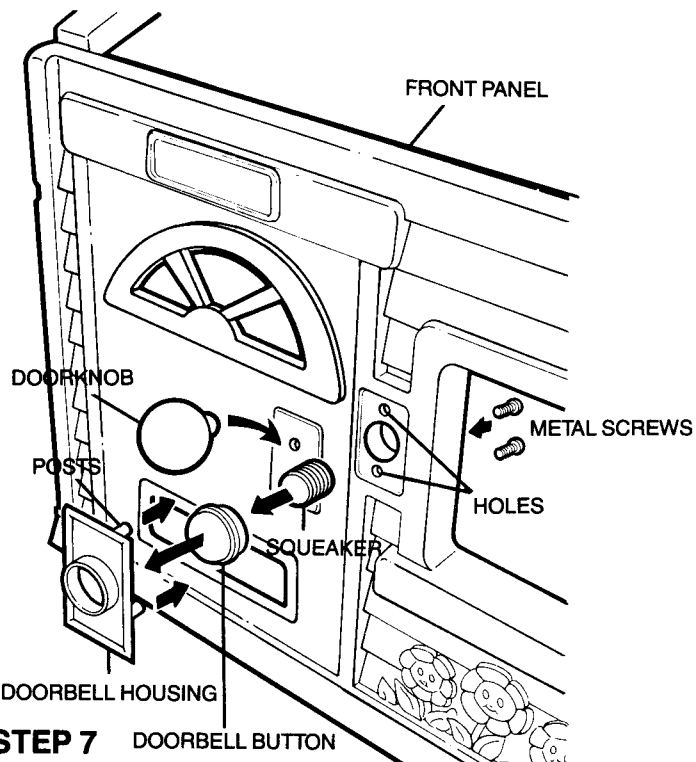
**Note:** hammer should be used if fasteners are difficult to push into holes.



### STEP 5

Fit tabs on kitchen panel into slots on front panel. (Be sure puppy on front panel is facing inside and is at the bottom of the panel).

Connect front panel to kitchen panel by tightening two white plastic screws into holes in kitchen panel and front panel as shown.

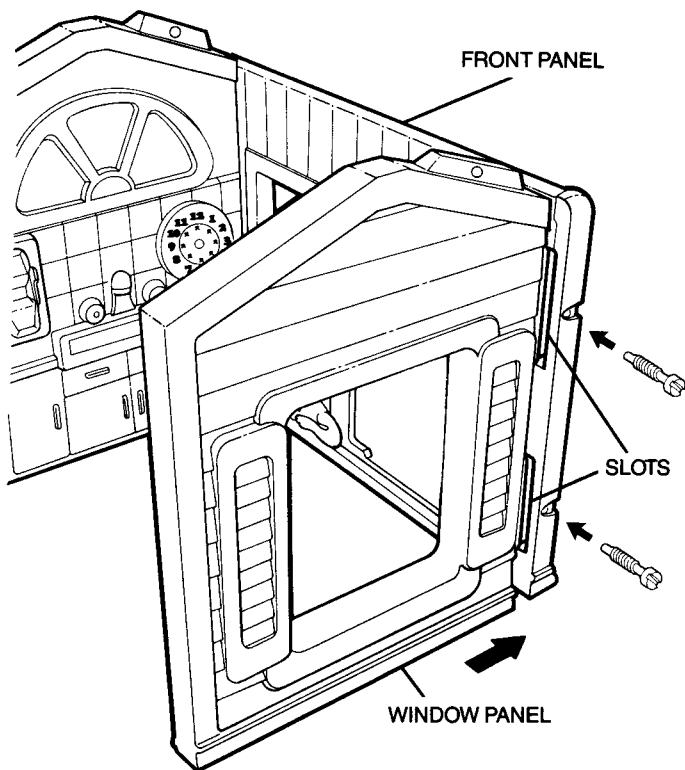


### STEP 7 DOORBELL BUTTON

Fit squeaker into doorbell button and fit button into doorbell housing from back of housing as shown.

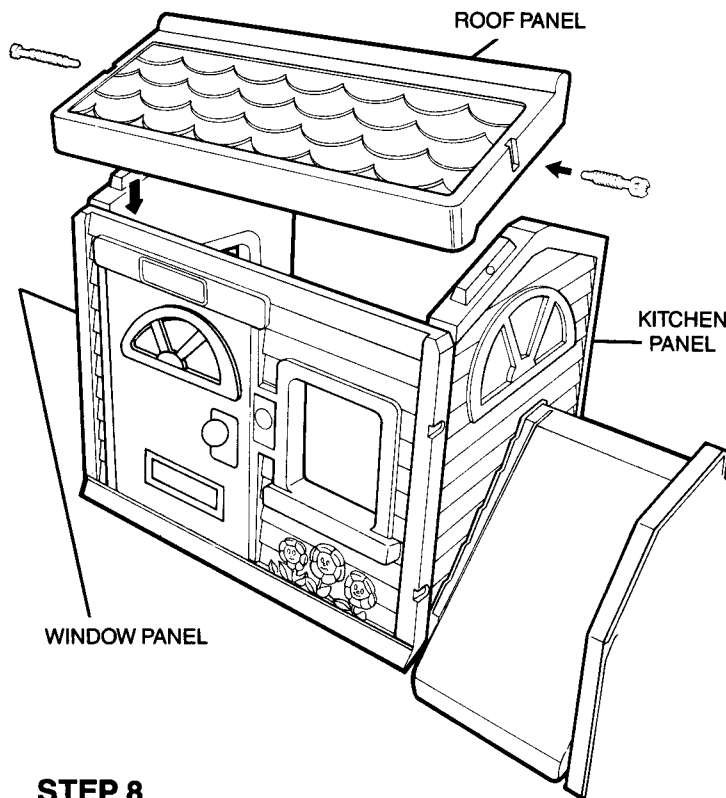
Hold doorbell housing in position on front panel and line up posts on housing with holes in front panel as shown. From inside of front panel, tighten two metal screws into holes and posts.

Press doorknob into recessed area on door as shown.



### STEP 6

Fit tabs on window panel into slots on front panel and connect by tightening two white plastic screws into holes in front panel and window panel as shown.



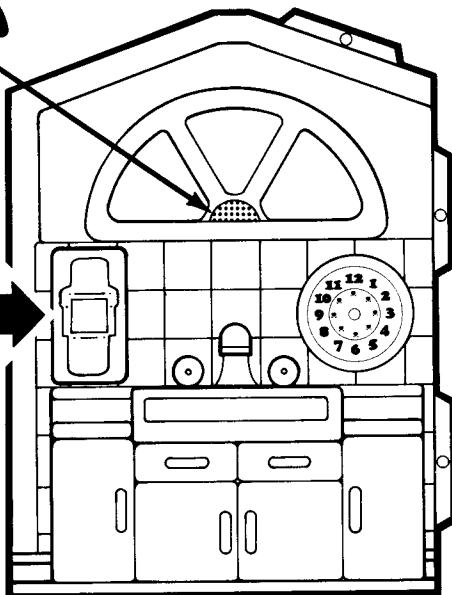
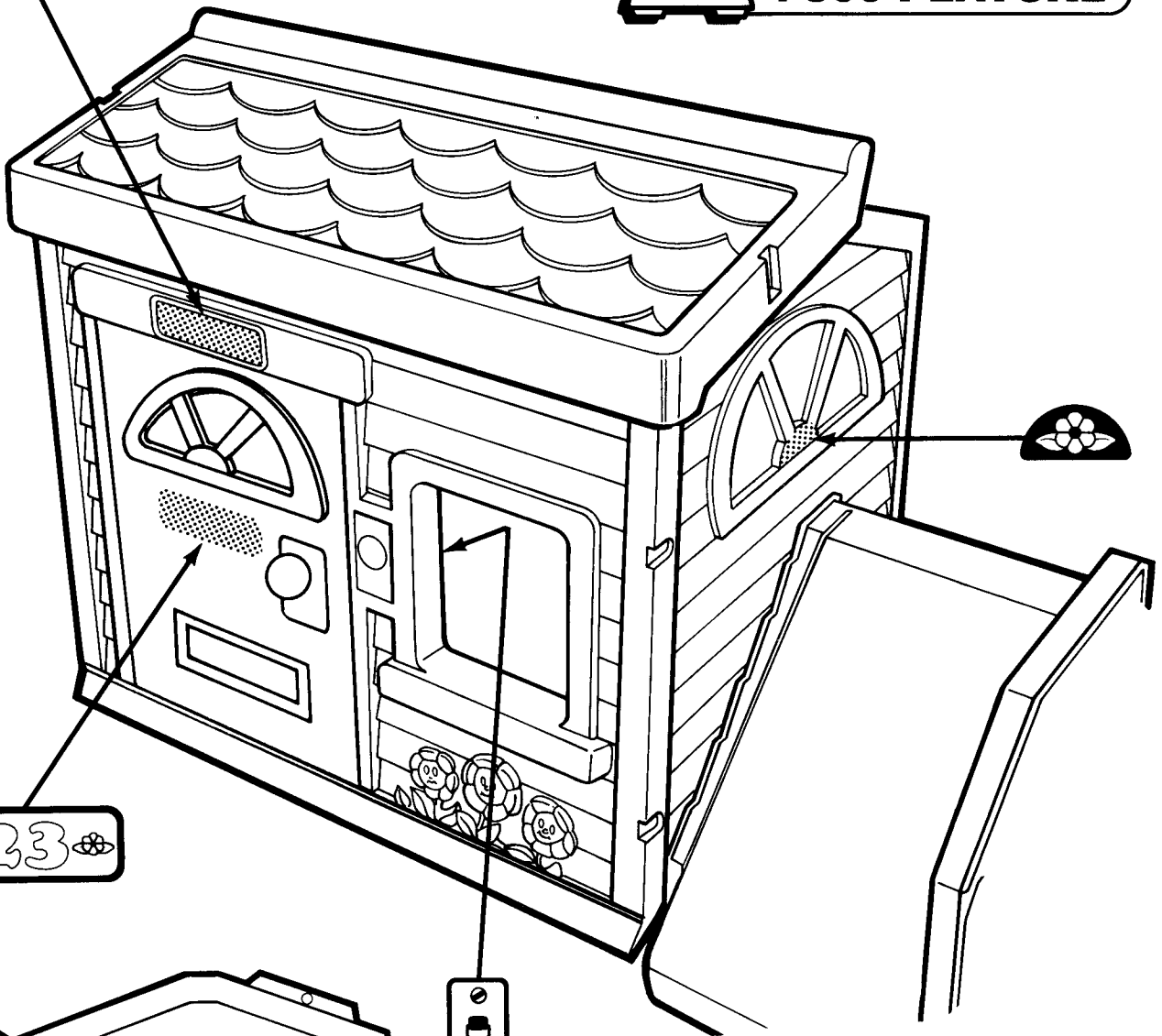
### STEP 8

Fit roof slots onto tabs on front and window panels. Connect roof to lower panels by tightening two red or blue plastic screws into holes on roof, kitchen and window panels. Note: screws will be same color as roof.

**PLAYSKOOL**



Questions? Call: **1-800-PLAYSKL**™



RECEIVER



Place on  
inside  
of panel

**IMPORTANT NOTES:**

**PERIODICALLY CHECK TO ENSURE ALL PARTS ARE SECURELY ATTACHED.**

**ADULT SUPERVISION DURING PLAY IS NECESSARY.**

**DO NOT ALLOW CHILDREN TO HANG ON THE DOOR.**

**DO NOT ALLOW CHILDREN TO CLIMB ON THE ROOF.**

**MAKE SURE CHILDREN SLIDE DOWN THE SLIDE FEET FIRST.**

**STEP 9**

Place receiver onto phone hook. Peel and apply labels as shown. (Note: clock label should be applied during step 1)