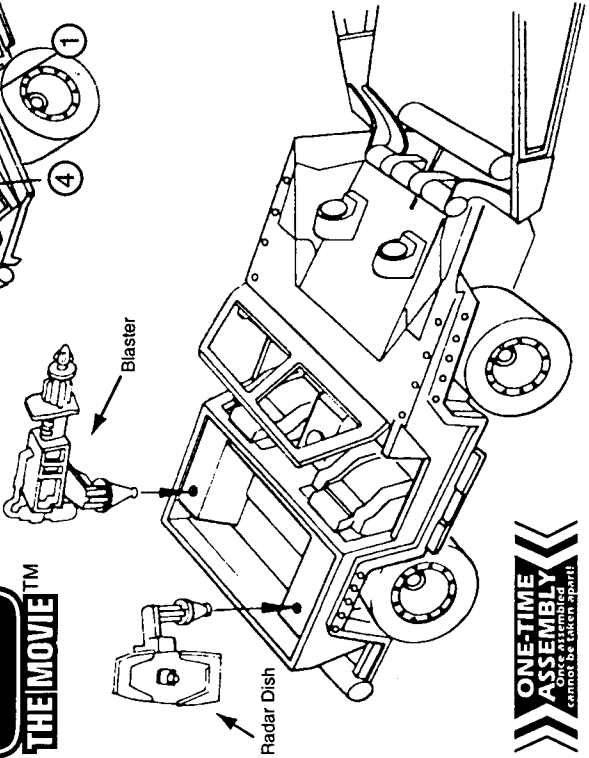
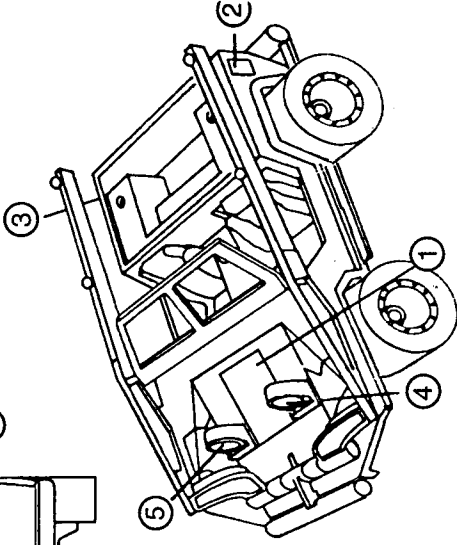
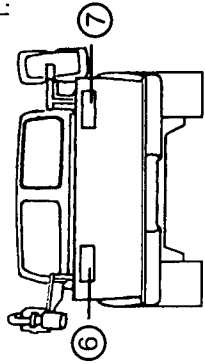


NET TRAP VEHICLE

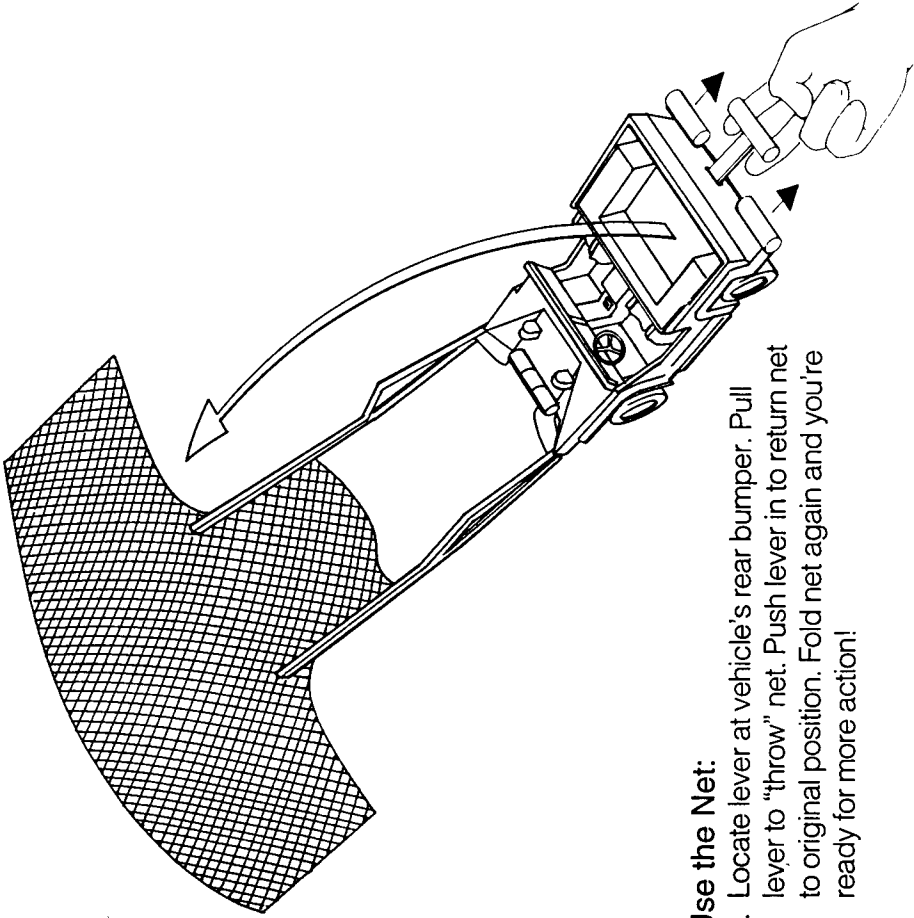
CONGO THE MOVIE™

LABEL APPLICATION

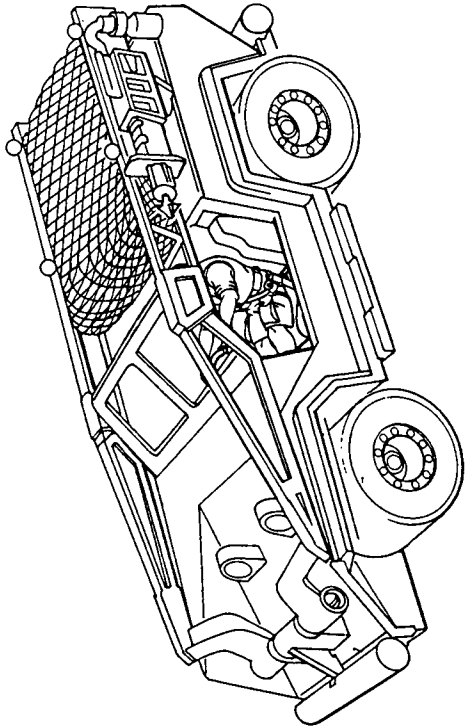
1. Apply labels to unassembled vehicle, using numbers on label sheet and these illustrations.



2. Snap radar dish into hole behind passenger seat.
Snap blaster into hole behind driver's seat.



Use the Net:
5. Locate lever at vehicle's rear bumper. Pull lever to "throw" net. Push lever in to return net to original position. Fold net again and you're ready for more action!

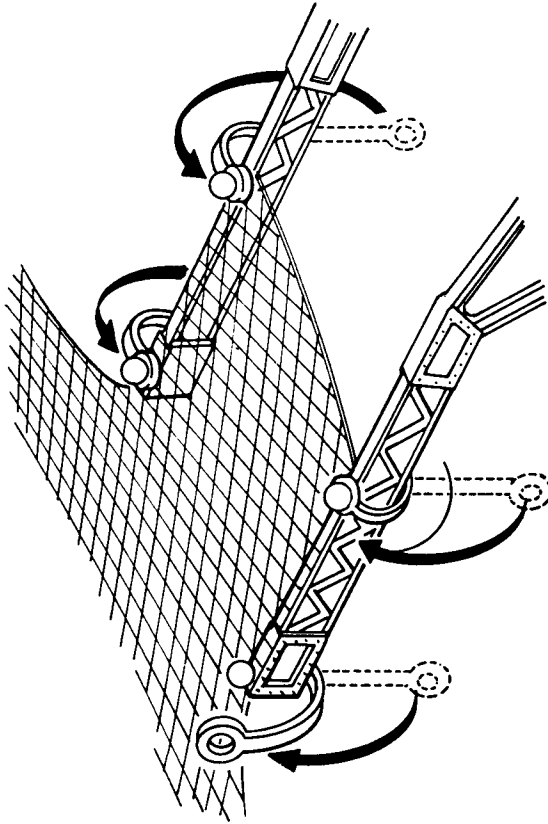


6. Figures fit into vehicle as shown.



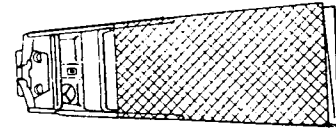
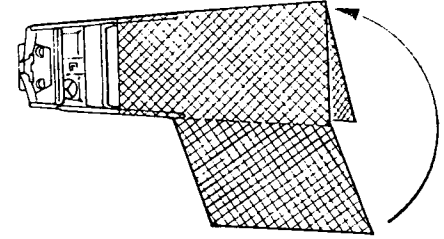
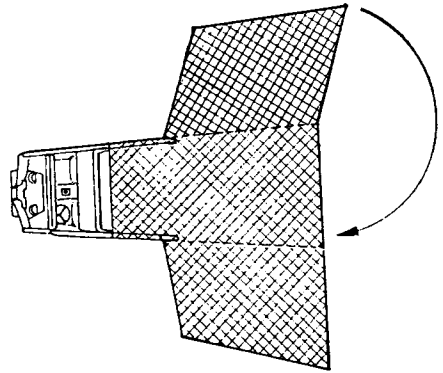
Net Assembly:

3. Locate balls on top of net arms. Lay small end of net over balls, carefully aligning the holes in net over the balls. Place loop ends over balls to secure net, as shown.

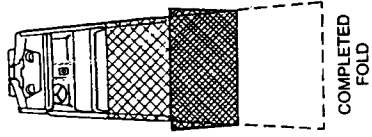


Net Loading:

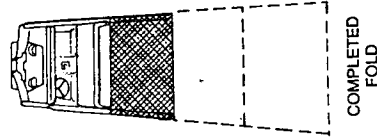
4. Fold net as shown



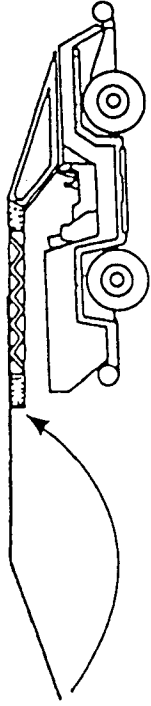
COMPLETED FOLD



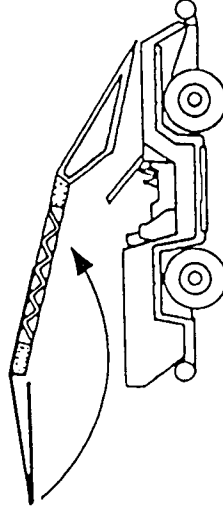
COMPLETED FOLD



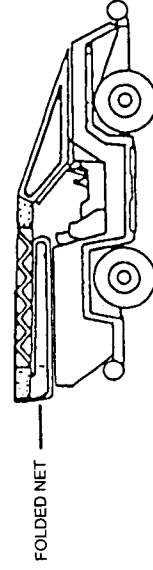
COMPLETED FOLD



C) Fold the bottom half under.



D) Fold the net under again and position underneath the arms.



E) Loaded position

- A) Fold the right flap under to the left.
- B) Fold the left flap under to the right.