

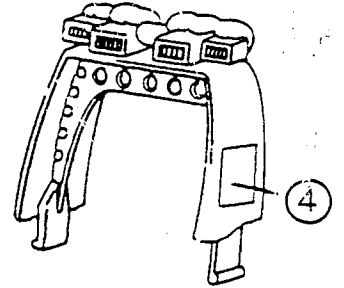
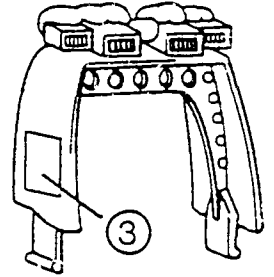
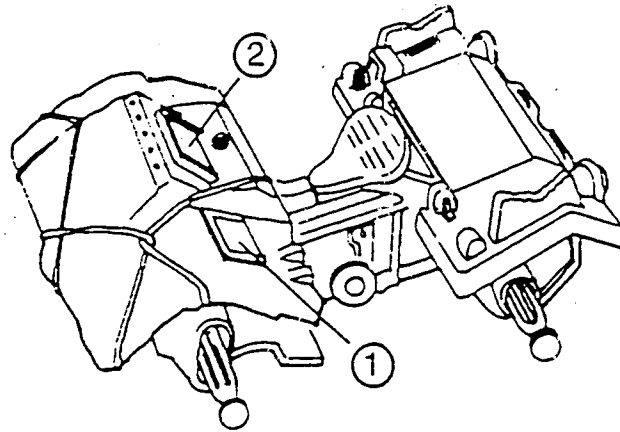
AGES 4 & UP

CONGO
THE MOVIE™

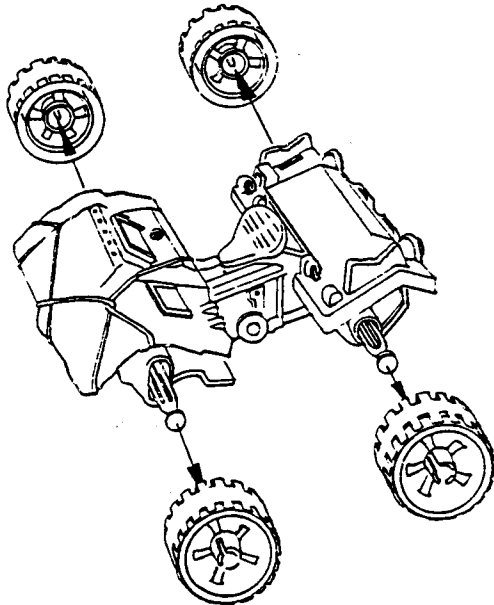
TRAIL HACKER™ VEHICLE

LABEL APPLICATION

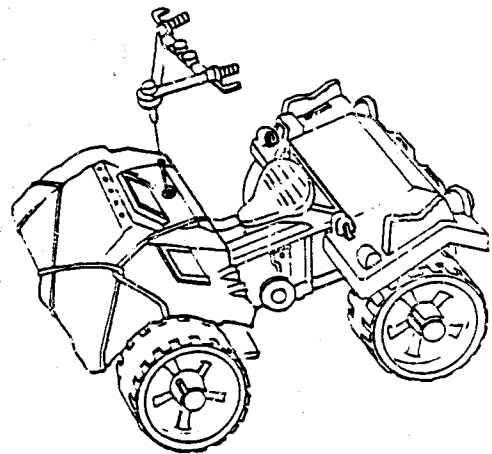
1. Apply labels to unassembled vehicle, using numbers on label sheet and these illustrations.



ASSEMBLY



2. Snap on all four wheels.



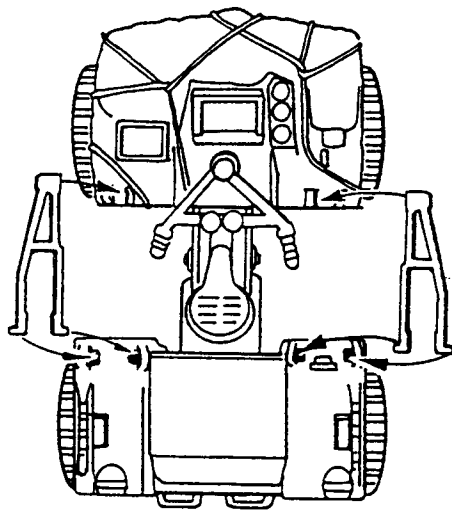
3. Attach handle bars.



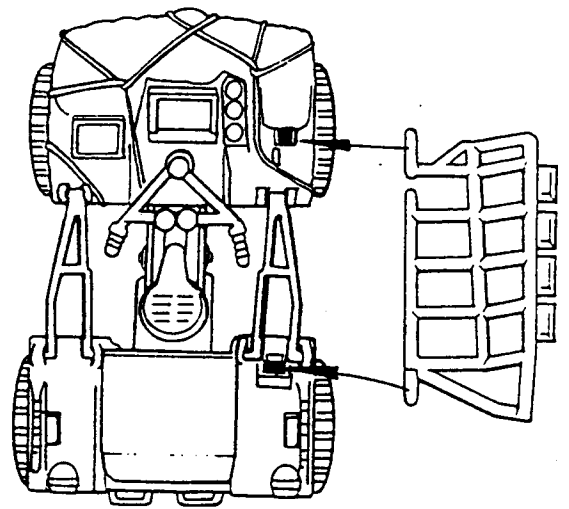
Kenner®

© & All Other Elements © 1995 TONKA CORPORATION, a subsidiary of Hasbro, Inc., Pawtucket, Rhode Island 02862. All Rights Reserved
TM & All Congo Elements © 1995 Paramount Pictures. All Rights Reserved. Kenner Products Authorized User.

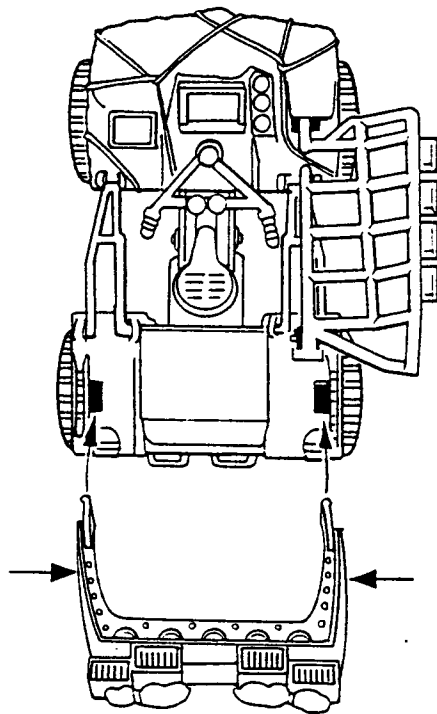
WARNING:
CHOKING HAZARD - Small parts.
Not for children under 3 years.



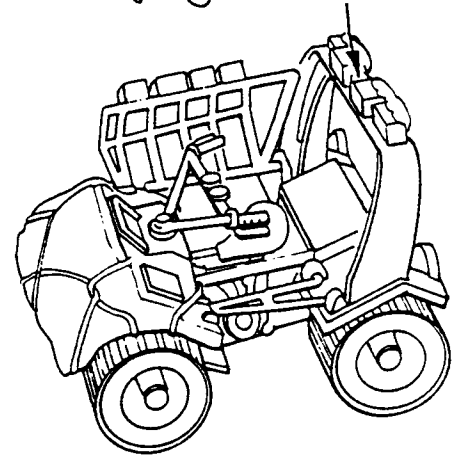
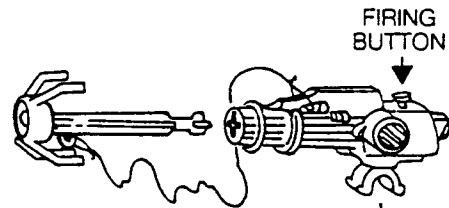
4. Attach safety gates at vehicle's sides in position as shown.



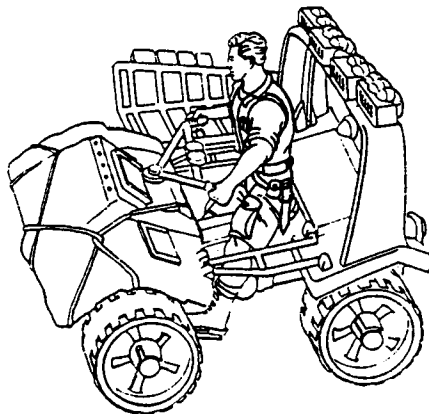
5. Insert post on stretcher into front hole, then back hole, as shown. Stretcher rotates up for "protection" or lays down to transport "wounded" figures.



6. Gently squeeze sides of roll bar to insert.



7. Clip launcher over center of roll bar. Hold back of launcher steady while loading small end of grappling hook. String must be loose for hook to fire properly! String may be wrapped around launcher for storage, as shown below.



8. Figure fits on vehicle as shown.

