



Check-Up Center™

Ages 3
& Up

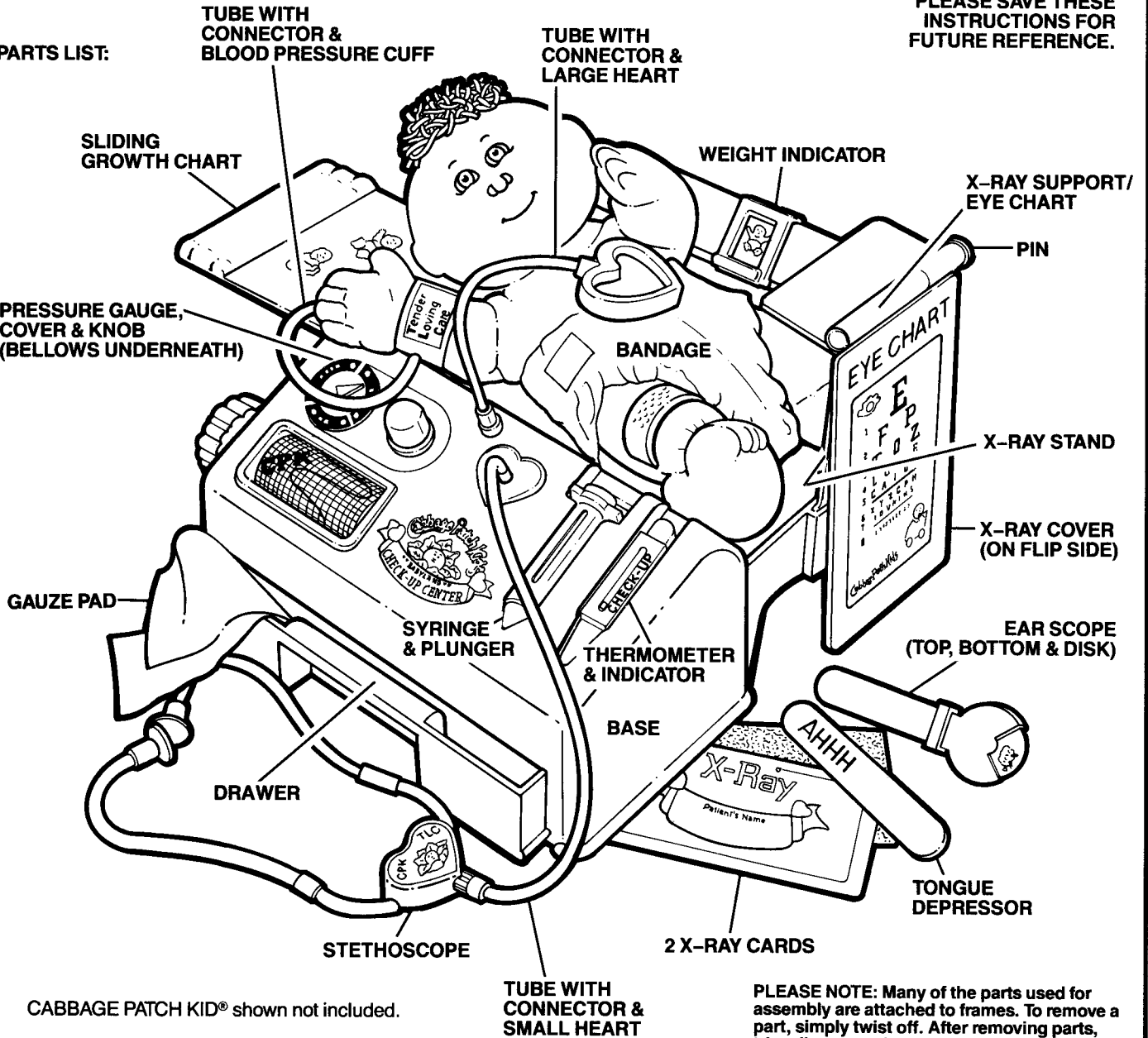
NO
TOOLS
NECESSARY.

INSTRUCTIONS

Complete "medical" care when your CABBAGE PATCH KIDS® need TLC (Tender Loving Care).*

PLEASE SAVE THESE
INSTRUCTIONS FOR
FUTURE REFERENCE.

PARTS LIST:



CABBAGE PATCH KID® shown not included.

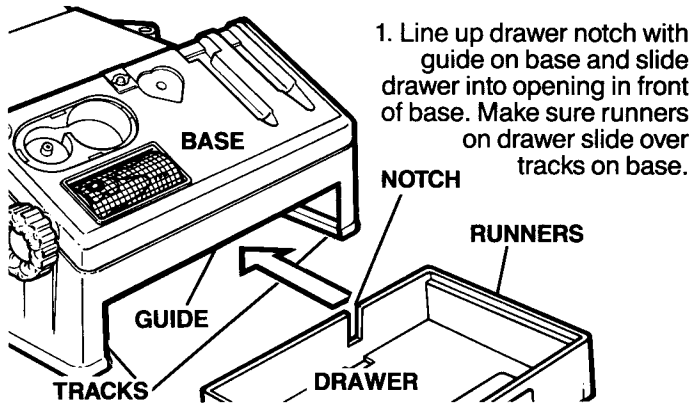
PLEASE NOTE:

- Adult supervision and instruction are required for children to properly use this toy.
- Dispose of all plastic bags before giving the toy to the child. The Check-Up Center is for pretend play only, and not to be used for any actual medical purpose.

*Specially designed for LPDs (Licensed Patch Doctors) & LPNs (Licensed Patch Nurses).

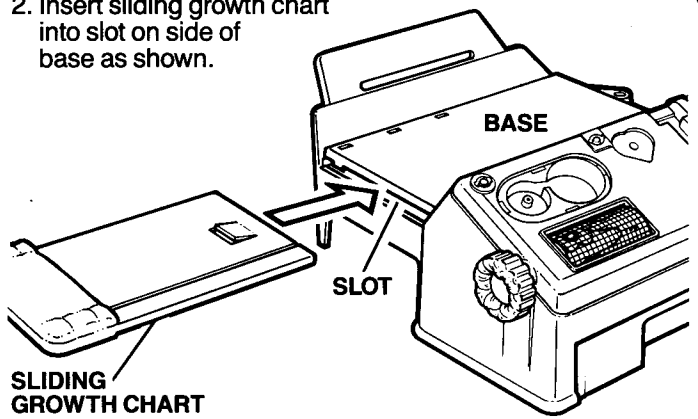
PLEASE NOTE: Many of the parts used for assembly are attached to frames. To remove a part, simply twist off. After removing parts, trim all excess plastic from them to remove any sharp edges.

TO ASSEMBLE CHECK-UP CENTER

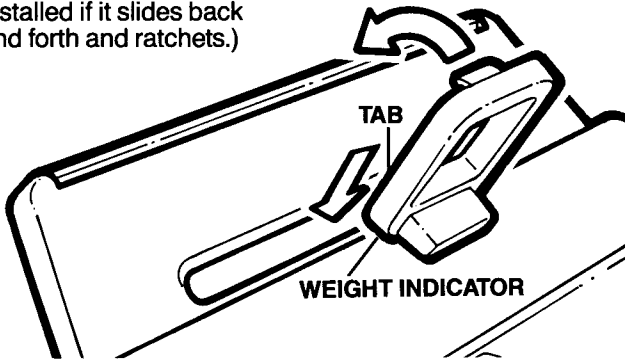


1. Line up drawer notch with guide on base and slide drawer into opening in front of base. Make sure runners on drawer slide over tracks on base.

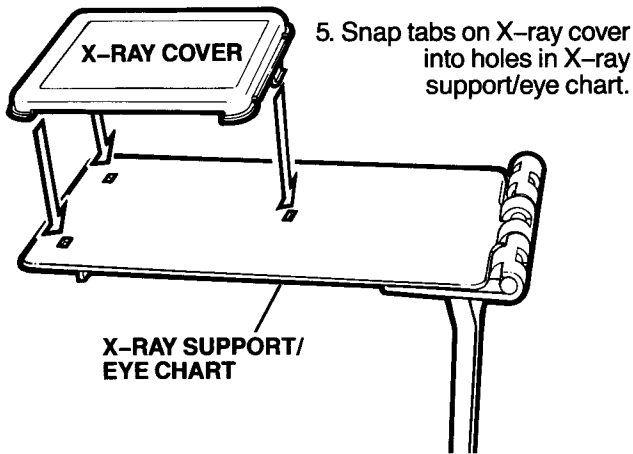
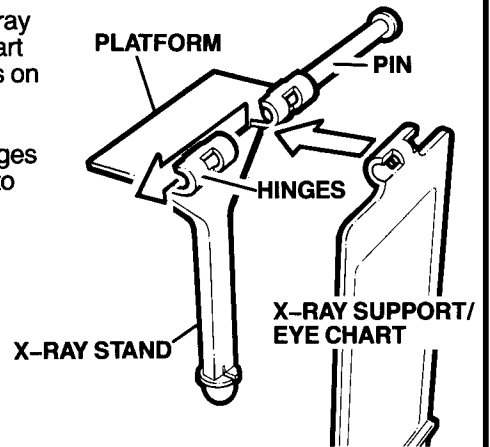
2. Insert sliding growth chart into slot on side of base as shown.



3. Install weight indicator by hooking bottom tab on indicator into slot on rear of base, then snapping in top of the indicator. (Indicator is correctly installed if it slides back and forth and ratchets.)

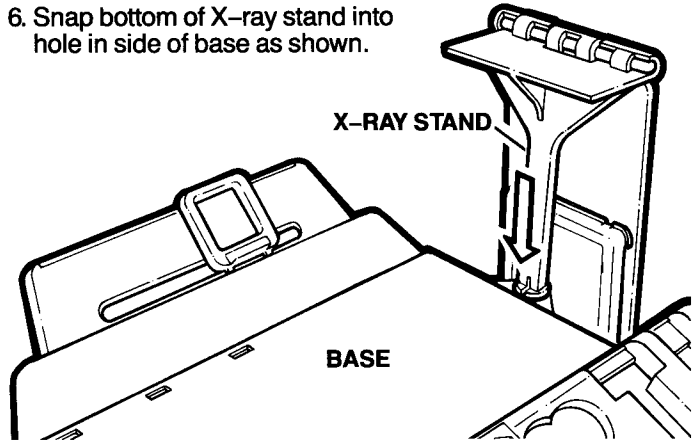


4. Fit hinge on X-ray support/eye chart between hinges on X-ray stand as shown. Slide pin through hinges until it snaps into place.

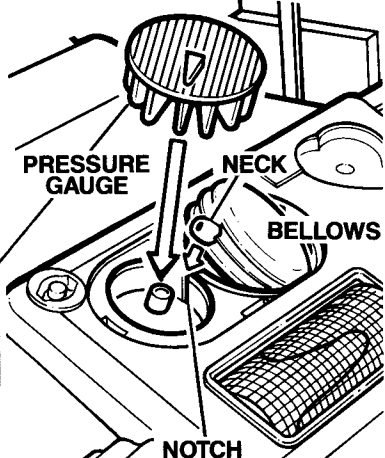
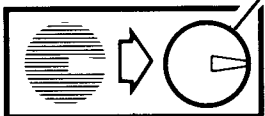


5. Snap tabs on X-ray cover into holes in X-ray support/eye chart.

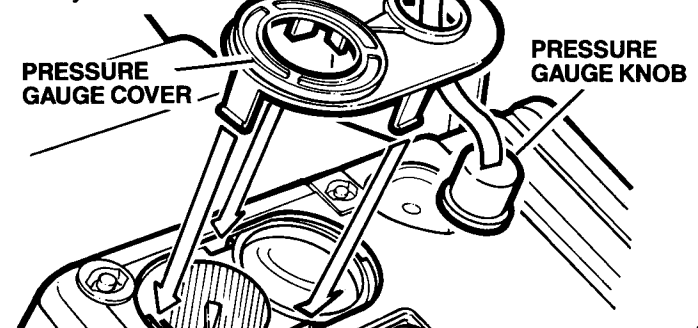
6. Snap bottom of X-ray stand into hole in side of base as shown.



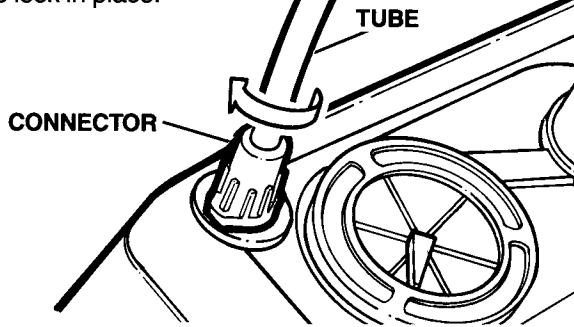
7. Fit bellows into larger circle on body, making sure bellows neck slips into notch. Peel and apply label to pressure gauge as shown. Fit pressure gauge into smaller circle by fitting gauge center pin into hole in circle.



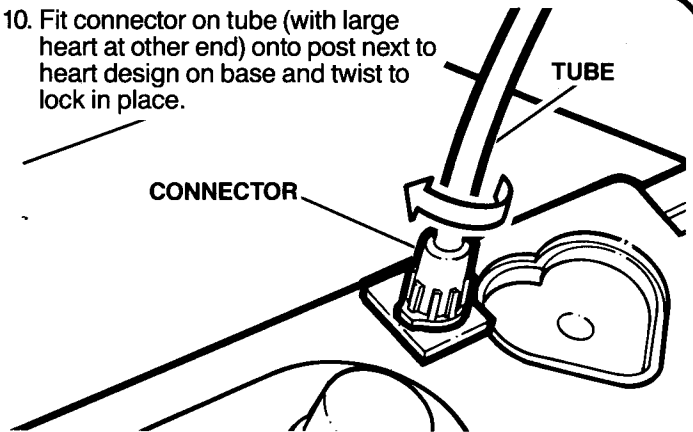
8. Slide pressure gauge knob through underside of smaller hole in pressure gauge cover as shown. Snap tabs on gauge cover into holes in body as shown.



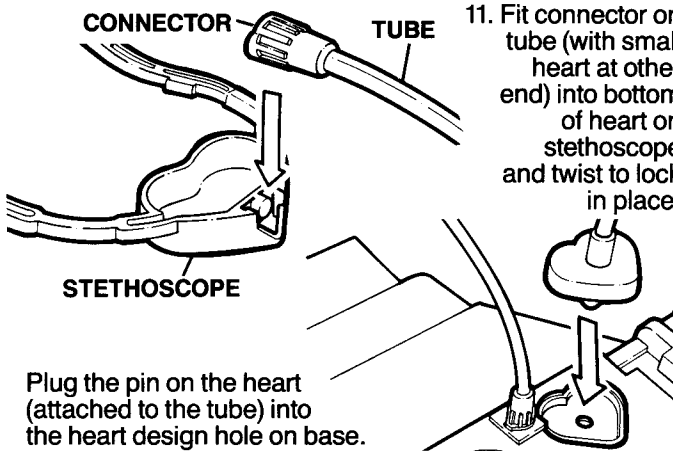
9. Fit connector on tube (with "blood pressure cuff" at other end) onto post above pressure gauge dial and twist to lock in place.



10. Fit connector on tube (with large heart at other end) onto post next to heart design on base and twist to lock in place.

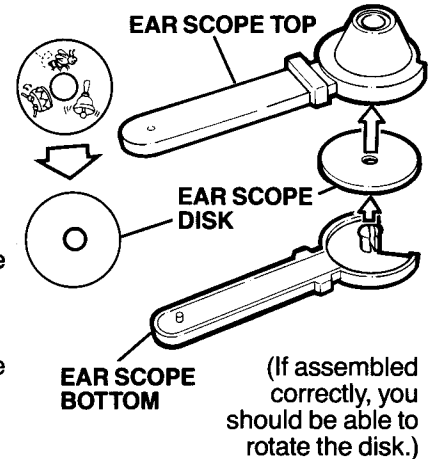


11. Fit connector on tube (with small heart at other end) into bottom of heart on stethoscope and twist to lock in place.

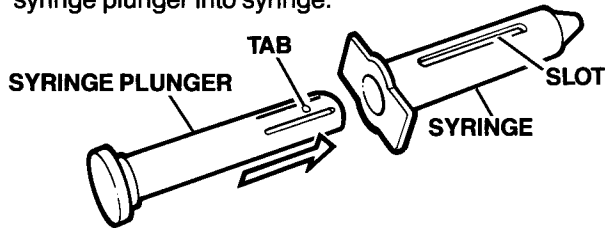


Plug the pin on the heart (attached to the tube) into the heart design hole on base.

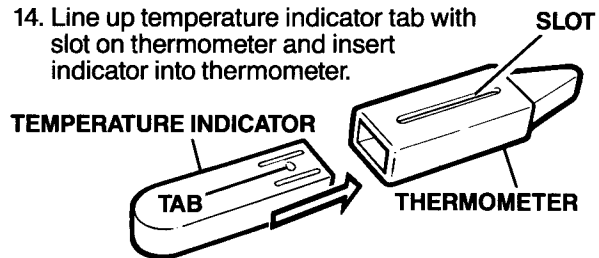
12. Peel and apply label to ear scope disk as shown. Snap ear scope disk onto post on ear scope top, making sure label is facing down. Snap post on ear scope top into hole in ear scope bottom. Press pin at other end of ear scope top into hole on ear scope bottom.



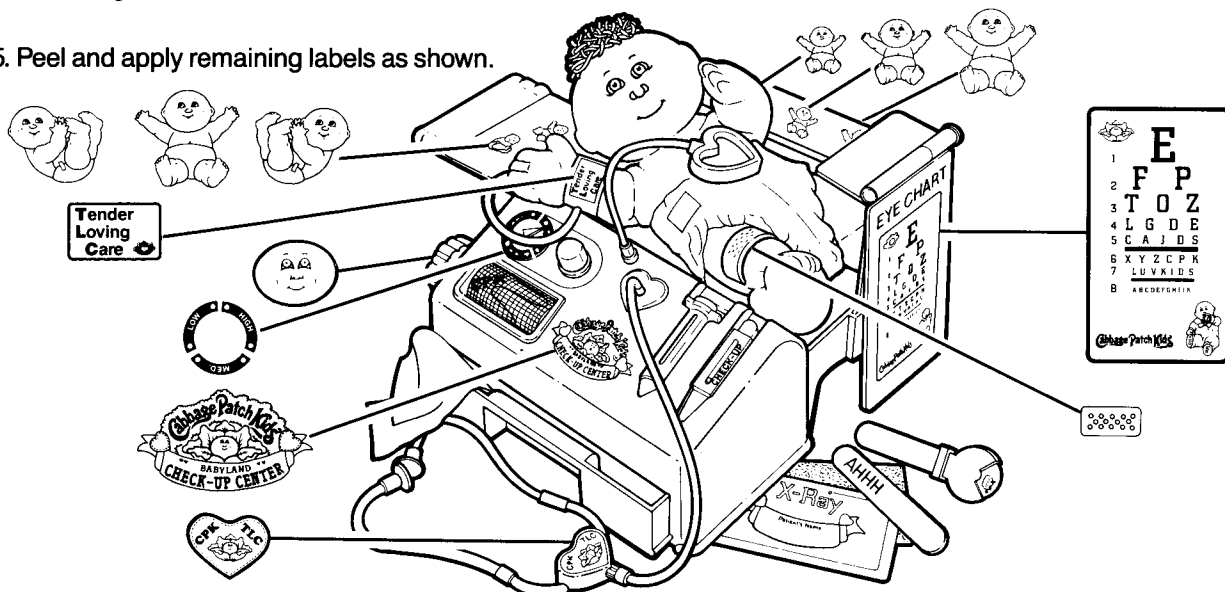
13. Line up plunger tab with slot on syringe and insert syringe plunger into syringe.



14. Line up temperature indicator tab with slot on thermometer and insert indicator into thermometer.



15. Peel and apply remaining labels as shown.



YOU DID IT! NOW THAT THE CHECK-UP CENTER IS ASSEMBLED, IT'S TIME TO GIVE YOUR CABBAGE PATCH KID® A COMPLETE, TOP-TO-BOTTOM EXAMINATION!

TO PROVIDE "MEDICAL CARE" WITH THE BABYLAND CHECK-UP CENTER™

- With the Check-Up Center, you can actually hear the heartbeat of your CABBAGE PATCH KID®! Here's how:
 1. Wind the large knob on the side of the base clockwise.
 2. Place the bigger heart (attached to tube) onto your 'KID™'.
 3. Plug the pin on the smaller heart (attached to tube) into the heart design hole on base and listen with the pretend **STETHOSCOPE**. With or without the stethoscope you'll be able to hear the **BEAT, BEAT, BEAT** of your patient's heart and monitor the "readout" on the **ROLLER** as it rotates.
- Rest your 'KID™' on the examining table and pull out the **GROWTH CHART** to "measure" your patient's height.
- Wrap the **GAUZE PAD** around hurt feelings and other painful bruises.
- For convenience, store all your "medical" accessories in the slide-out drawer.
- To make troubles disappear, use the play **SYRINGE** to give your patient a shot of imagicillin, which is a very special potion made up of happiness and giggles!
- Pretend thermometer and syringe fit neatly in the cutouts on the base.
- Polypressure is a vital reading that reveals the mood of your CABBAGE PATCH KID®. To obtain a proper reading, place the "**BLOOD PRESSURE CUFF**" on the arm of your 'KID™', press several times on the pressure gauge-knob and watch the dial on the **PRESSURE GAUGE** spin around.
- Place the play **BANDAGE** on boo-boos. Note: The patient may also require a large dose of Tender Loving Care.
- What size CABBAGE PATCH KID® do you have? To estimate, slide the **WEIGHT INDICATOR** over one of the pictures.
- Flip down the **EYE CHART** to test your patient's vision. For most accurate results, make sure your 'KID™' is holding a hand over one eye!
- To see inside your 'KID™', slide a "magic" **X-RAY CARD** under the red cover on the pretend **X-RAY MACHINE** and watch a picture appear! Four X-rays in all, one on each side of the two cards.
- Look into the ears of your 'KID™' with the make believe **EAR SCOPE**... **SURPRISE!** Spin the disk to see all the fun sights!
- Pretend to put the "**TONGUE DEPRESSOR**" into the mouth of your patient... say "AHHH."
- Use the pretend **THERMOMETER** to find out if your 'KID™' has Cabbage Patch Fever. If so, the best way to help relieve the symptoms is to hold your CABBAGE PATCH KID® and give hugs and kisses periodically.

© Copyright 1991, ORIGINAL APPALACHIAN ARTWORKS, INC. ALL RIGHTS RESERVED. MADE UNDER LICENSE FROM ORIGINAL APPALACHIAN ARTWORKS, INC.

Manufactured for Hasbro, Inc., Pawtucket, RI 02862 U.S.A.

Made in USA. Stethoscope, tube with connector and small heart, tube with connector and large heart, tube with connector and blood pressure cuff, X-ray cover and bandage made in China. Sound mechanism made in Japan.

33500 P/N 42461300