



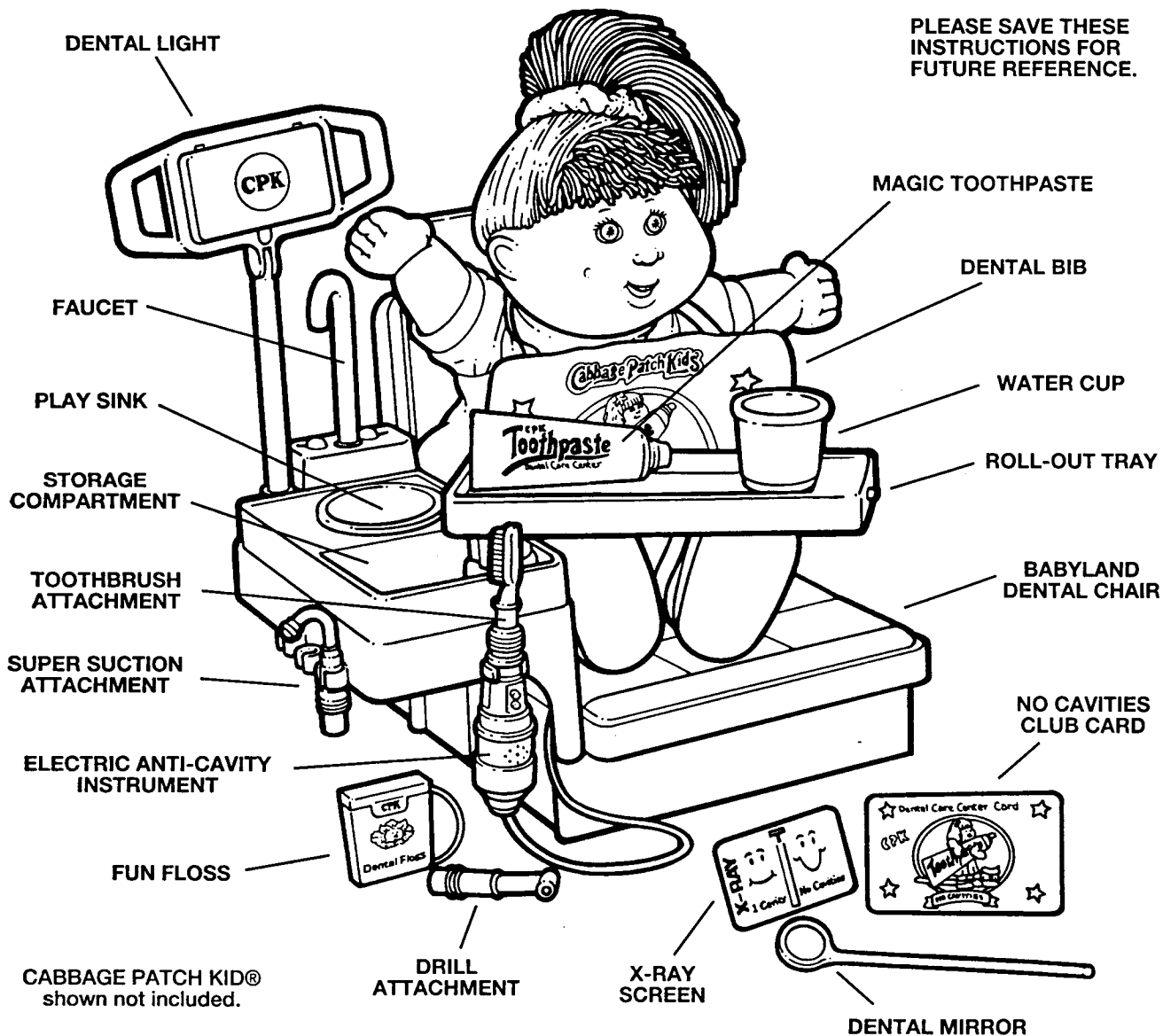
# Dental Care Center

**Ages 3  
& Up**

## Instructions

Complete "dental" care for your CABBAGE PATCH KIDS®!\*

**PLEASE SAVE THESE INSTRUCTIONS FOR FUTURE REFERENCE.**



**PLEASE NOTE:**

- Adult supervision and instruction are required for children to properly use this toy.
- Dispose of all plastic bags before giving the toy to the child. The Dental Care Center is for pretend play only, and is not to be used for any actual medical purpose.

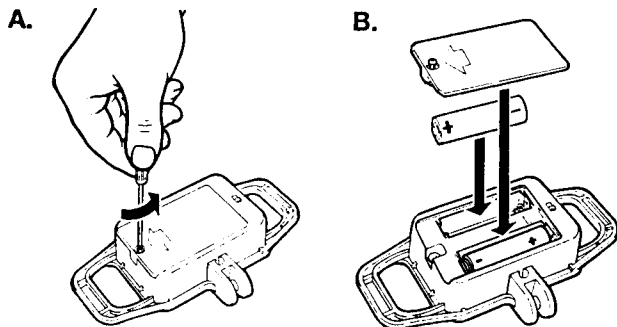
**PLEASE NOTE:** Some of the parts used for assembly are attached to runner frames. To remove a part, simply twist off. After removing parts, use safety scissors to trim all excess plastic and remove any sharp edges. Dispose of the frames.

\*Specially designed for LPDDS (Licensed Patch Doctors of Dental Science).

## BATTERY PLACEMENT:

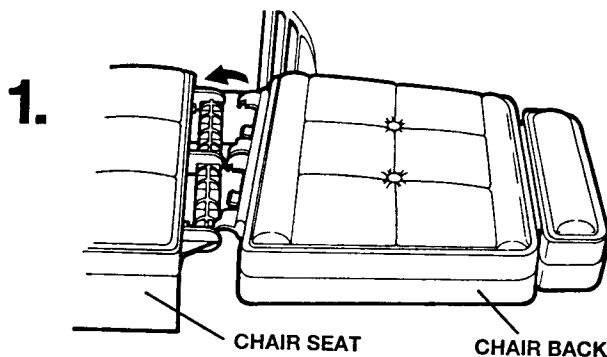
### CAUTION: TO AVOID BATTERY LEAKAGE

1. Be sure to insert the batteries correctly and always follow the toy and battery manufacturers' instructions.
2. Never mix old batteries and new batteries, or standard (carbon-zinc) with alkaline batteries.
3. Always remove exhausted or dead batteries from the product.
4. Remove batteries if product is stored for a long period of time.

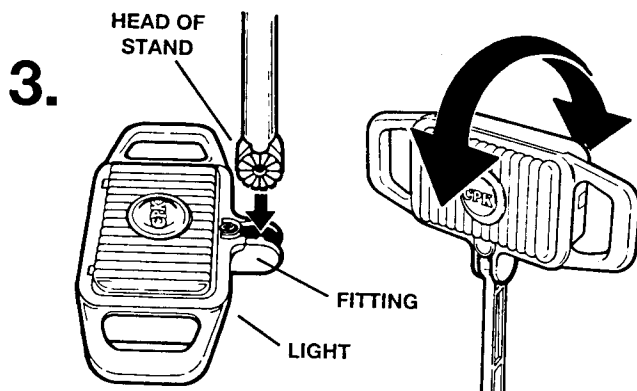


The light mechanism requires 2 "AA" batteries (not included). Remove the screw which secures the battery compartment cover using a Phillips® screwdriver (not included) (ILL. A). Remove the battery door and insert the batteries as shown (ILL. B). Replace the battery door and re-fasten it with the screwdriver.

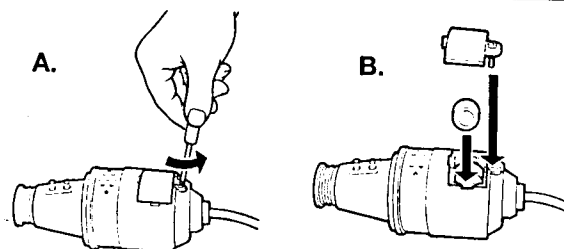
## TO ASSEMBLE DENTAL CARE CENTER:



Place base on a flat surface with the side of dental chair facing you as shown. To attach chair back to chair seat, hold the back horizontally to seat and insert at angle, attaching the near side first, then snapping the far side into place. The chair back features 3 different positions which can be adjusted and secured in place.



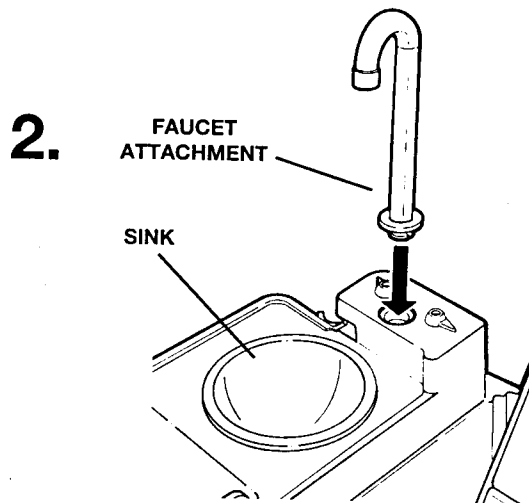
After installing batteries (see above), attach the light to the head of the light stand. Place light on a flat surface, front side up, and slide head of stand into fitting, holding stand at a 90° angle as shown. Once attached, the light will tilt backward or forward in various positions.



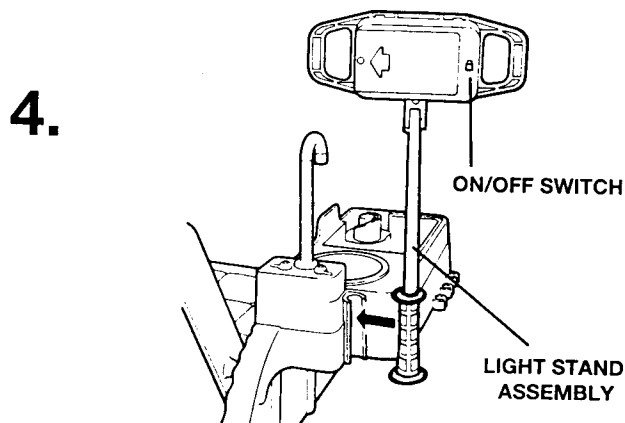
The electric tool comes equipped with 3 A-76 batteries. When they are exhausted, you can replace them with any of the following batteries: A-76, 357A, SR-44 or PX-76. ALWAYS use 3 of the SAME battery styles - never mix different styles of batteries.

To replace, remove screw from battery compartment cover using a Phillips® screwdriver (not included) (ILL. A). Remove the battery door and insert batteries as shown (ILL. B). Replace the battery door and re-fasten it with the screwdriver.

1. As with all small batteries, the batteries included with this toy should be kept away from small children who still put things in their mouths. If they are swallowed, promptly see a doctor and have the doctor phone (202) 625-3333 collect.
2. When installing replacement batteries make sure the batteries are inserted correctly and follow the toy and battery manufacturer's instructions.
3. Never mix old batteries with new batteries.
4. Batteries may explode or leak if recharged, disassembled or heated above 100 degrees C. (212 degrees F.)

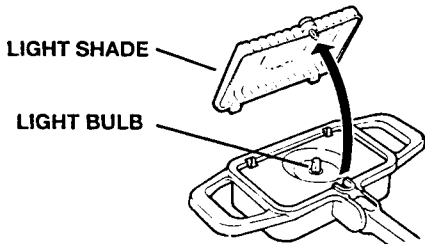


Push faucet attachment into its place in back of pretend sink.

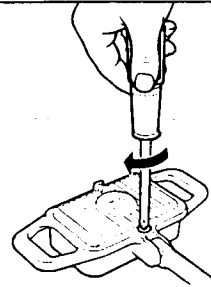


Push the light stand assembly into its place next to the sink. The ribbed bottom of the stand will slide into place, and can then be rotated 360°. The on/off switch is located in the back of the unit, to the right of the battery door.

**TO REPLACE LIGHT BULB:**



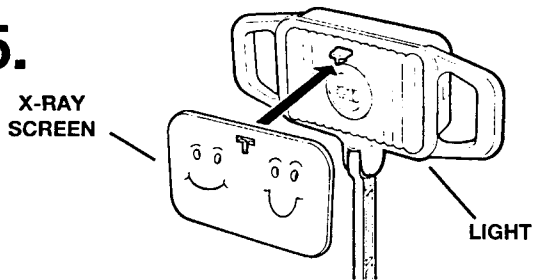
To replace the light bulb, remove screw from light shade on front of unit using a Phillips® screwdriver, then lift off as shown. Unscrew bulb and replace with a new Subminiature Lamp Bulb Type T-1 3/4 (2 1/2 volts).



Replace the light shade by screwing into place.

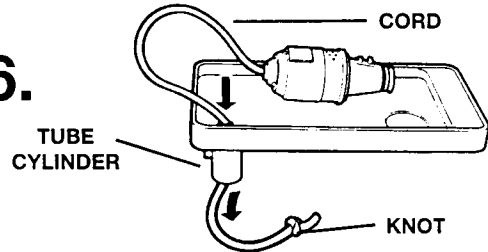
**NOTE:** Bulb may become loose during transportation. If bulb does not light when activated, check to see if bulb is properly secured in socket.

**5.**



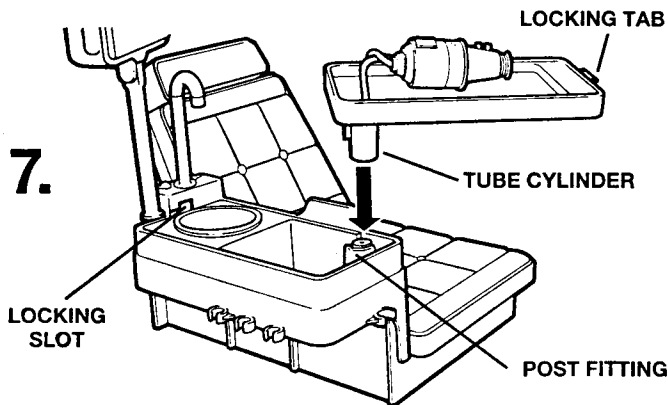
The x-ray screen attaches to the light as shown.

**6.**



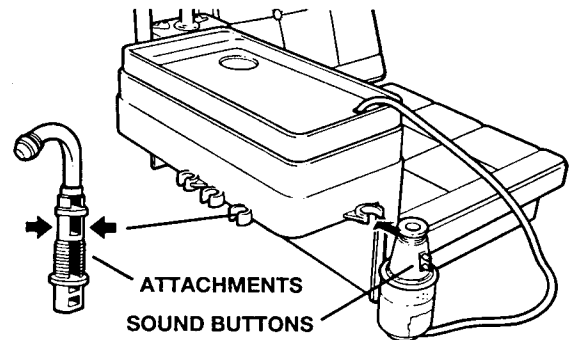
To secure the electric anti-cavity instrument in place, take the end of the cord and feed it through the hole located on the top of the roll-out tray. Feed it all the way through the cylinder, then tie a knot at the end of the cord to secure the unit in place. The roll-out tray is now ready to be assembled to the main frame.

**7.**



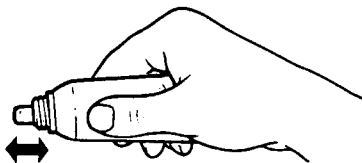
The roll-out tray can be attached to the main frame (over the sink and storage area) by pushing the tube cylinder down into the post fitting in the storage area. The tray can be locked in place over the sink, or can be rotated around the sink and in front of a seated CABBAGE PATCH KID®.

**8.**



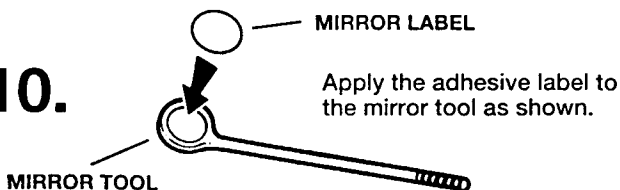
Now fully assembled to the main frame, the electric anti-cavity instrument can be snapped into its place in front of the sink/storage area. To use the instrument, snap 1 of the 3 attachments (drill, toothbrush or super suction device) into the top fitting. When the top button on the instrument is pressed, it will produce the drill sound; the bottom button will produce the suction or toothbrush sound. When not in use, the 3 attachments fit into place on the side of the sink/storage area.

**9.**



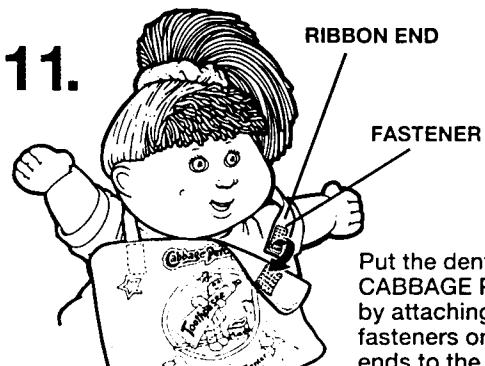
When your child squeezes the tube of magic toothpaste, a strip of pretend paste will appear through the top of the tube, and disappear again when squeezing pressure is ceased.

**10.**



Apply the adhesive label to the mirror tool as shown.

**11.**



Put the dental bib on your CABBAGE PATCH KID® by attaching the 2 fabric fasteners on the ribbon ends to the fastening strips on the bib.

**TO PROVIDE "DENTAL CARE:"**

- Rest your CABBAGE PATCH KID® on the BABYLAND DENTAL CHAIR! The chair can be adjusted to 3 different positions for maximum 'KID™ comfort!

- Real working DENTIST'S LIGHT lets you see your 'KID's™ shining smile!

- Keep your 'KID™ clean with the DENTAL BIB.

- When giving your 'KID™ a Cabbage Patch teeth cleaning, don't forget to use the MAGIC TOOTHPASTE! Squeeze the tube, and watch it appear and disappear!

- After a Cabbage Patch teeth cleaning, help your 'KID™ to rinse in the PLAY SINK.

- WATER CUP fits into its special place on ROLL-OUT TRAY.

- The special STORAGE COMPARTMENT will hold all your dental utensils (except the dental mirror), but the most important tool in any Cabbage Patch check-up is *your* gentle, tender loving care!

- After a great checkup, give your CABBAGE PATCH KID® the special NO CAVITIES CLUB CARD!

- After brushing, remind your 'KID™ to always use the FUN FLOSS.

- The ELECTRIC ANTI-CAVITY INSTRUMENT has 3 attachments: ELECTRIC DRILL, TOOTHBRUSH, and SUPER SUCTION DEVICE. When drilling your 'KID's™ cavity, push the top button on the instrument to hear realistic drill sounds! Push the bottom button to hear the toothbrush or suction sounds.

- Snap the X-RAY SCREEN onto your dentist's light.

- Check your 'KID™ for cavities with the specially curved DENTAL MIRROR.

