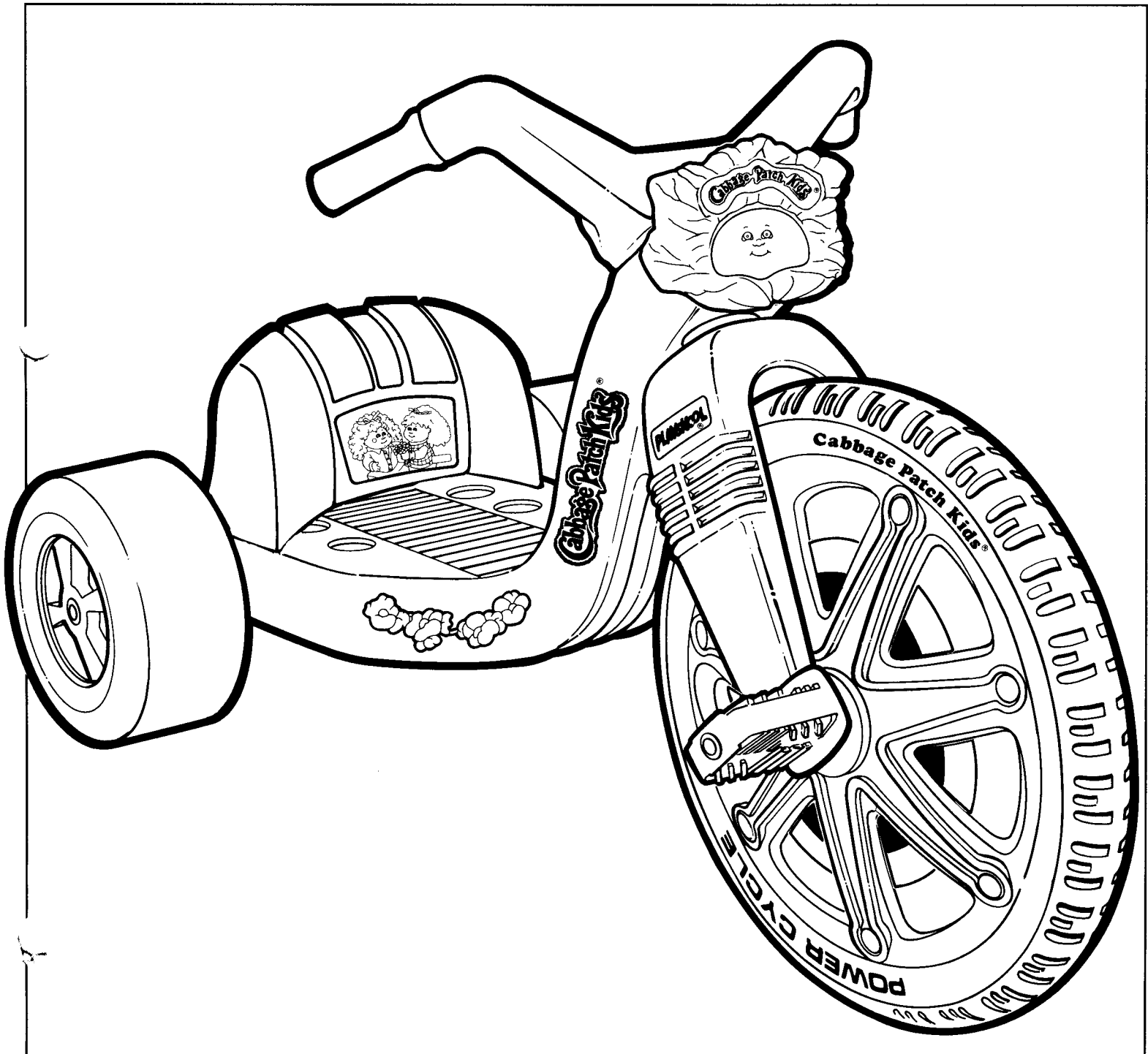


16" CABBAGE PATCH KIDS® Power Cycle®



PLEASE NOTE: THIS PRODUCT SHOULD BE ASSEMBLED BY AN ADULT. PLEASE READ INSTRUCTIONS PRIOR TO ASSEMBLY. STUDY EACH STEP CAREFULLY TO FAMILIARIZE YOURSELF WITH PROCEDURE AND PARTS (REFER TO BACK PAGE FOR ILLUSTRATED PARTS LIST).

TOOLS REQUIRED (NOT INCLUDED) Hammer, Phillips® screwdriver and a small block of wood (approx. 2" x 2" x 3/4").

CAUTION: ADULT SUPERVISION AND INSTRUCTION REQUIRED REGARDING THE PROPER USE OF THIS TOY. THIS RIDE-ON TOY SHOULD NOT BE USED NEAR SWIMMING POOLS, ON OR NEAR HILLS, ROADWAYS, SLOPED DRIVEWAYS, ALLEYS OR STEPS. SHOES MUST BE WORN AT ALL TIMES. ONLY ONE RIDER AT A TIME. DO NOT RIDE AFTER DARK. DO NOT CARRY OBJECTS THAT IMPAIR VISION WHILE RIDING THIS TOY.

**ADULTS PLEASE NOTE:
PERIODICALLY CHECK ALL HARDWARE
TO BE SURE IT IS SECURE**

ASSEMBLY INSTRUCTIONS

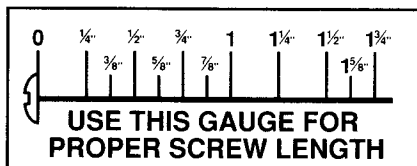
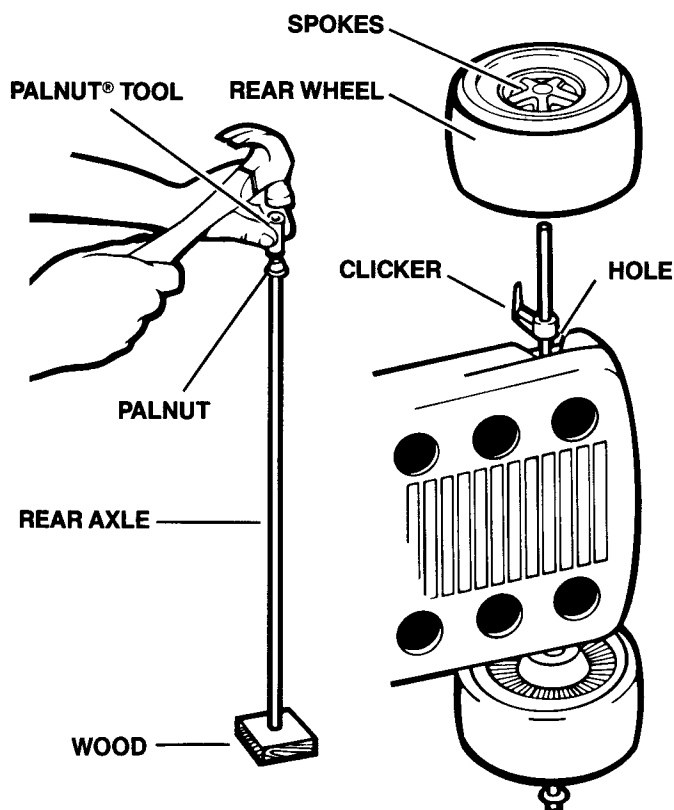
NOTE: For easier assembly, trim excess plastic from all parts before starting.

STEP 1. REAR WHEEL ASSEMBLY

1A) Place rear axle on small block of wood as shown. Position Palnut® over top end of axle. Fit Palnut tool over Palnut. Using hammer, hit Palnut onto end of axle.

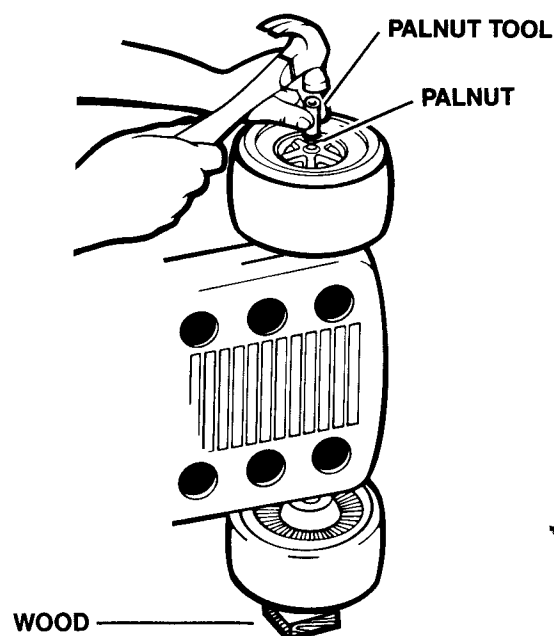
1B) Slide axle through hole in spoked side of rear wheel. Slide axle through hole in rear of cycle as shown.

1C) Slide clicker onto axle and into body as shown. Slide other rear wheel over end of axle, so that spokes on wheel face out.



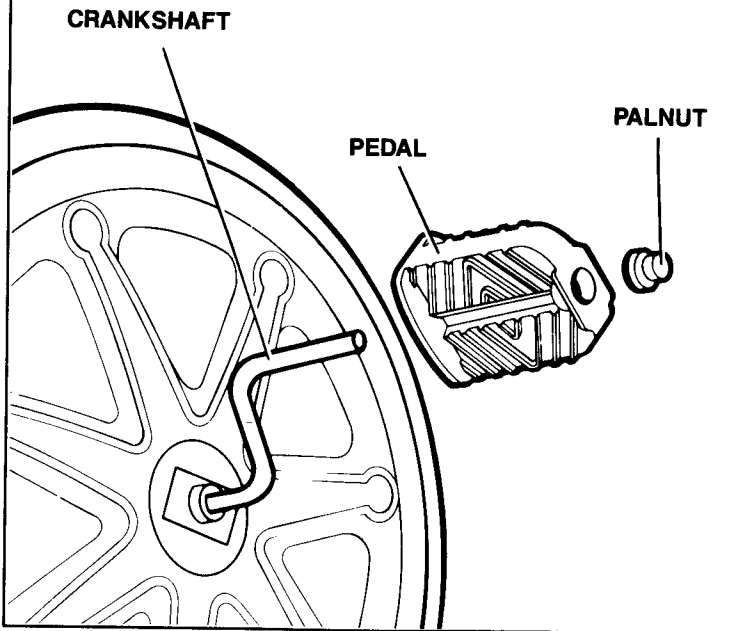
STEP 2. REAR WHEEL/BODY ASSEMBLY

Stand cycle on its side, with open end of axle pointing up. Place block of wood under other end of axle. Fit Palnut over open end of axle. Fit Palnut tool over Palnut. Using hammer, hit Palnut onto end of axle.



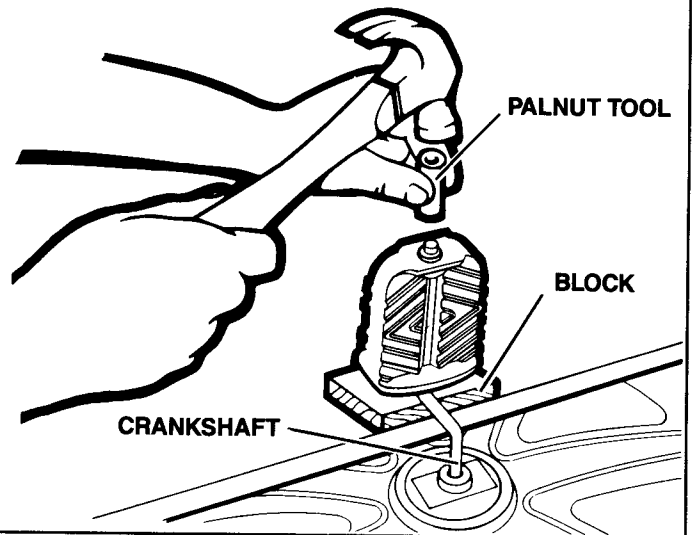
STEP 3. FRONT PEDAL ASSEMBLY

Slide pedal over end of pedal crankshaft. NOTE: The flat end of the pedal should be facing in, and the rounded corners should be pointing out as shown. Fit Palnut over end of crankshaft.



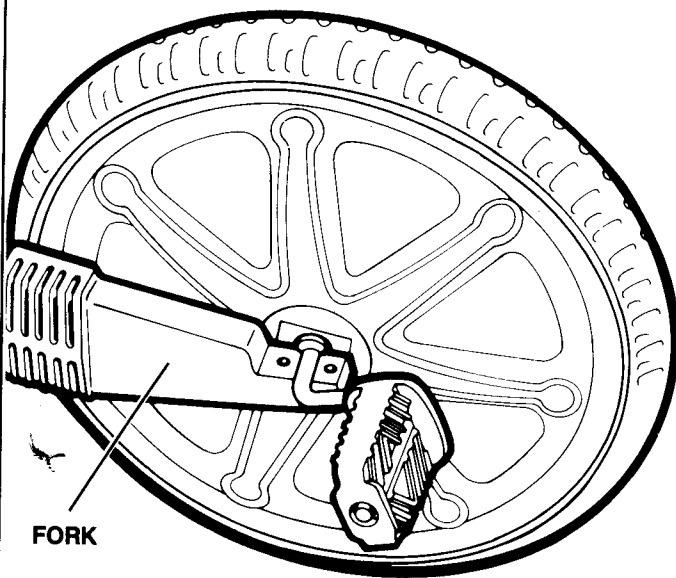
STEP 4. FRONT PEDAL ASSEMBLY CONT.

Place block of wood under other end of crankshaft for support as shown. Fit Palnut tool over Palnut. Using hammer, tap Palnut onto end of axle. Repeat steps 3 & 4 with other side of crankshaft and other pedal.



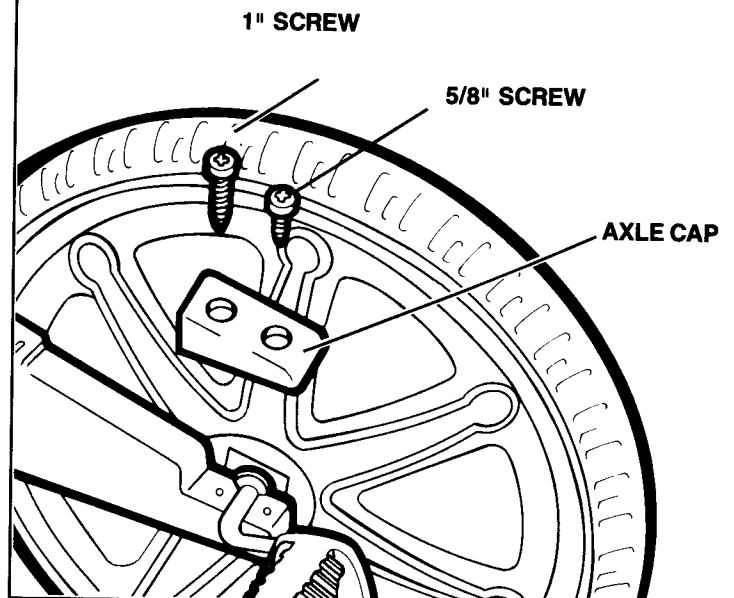
STEP 5. FORK & WHEEL ASSEMBLY

Fit front wheel axle into grooves in front fork.



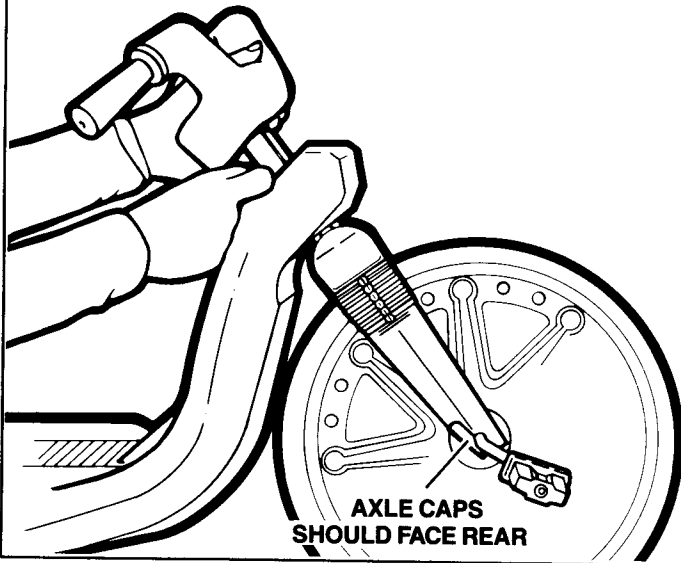
STEP 6. FORK & WHEEL ASSEMBLY (CONT.)

Place axle cap over one end of axle as shown. Line up holes in axle cap with holes in fork. Fit 1" screw into top hole in axle cap and tighten, using Phillips screwdriver. Fit 5/8" screw into bottom hole in axle cap and tighten, using a Phillips screwdriver. **DO NOT OVER-TIGHTEN SCREWS.** Repeat step with other axle cap, fork and screws.



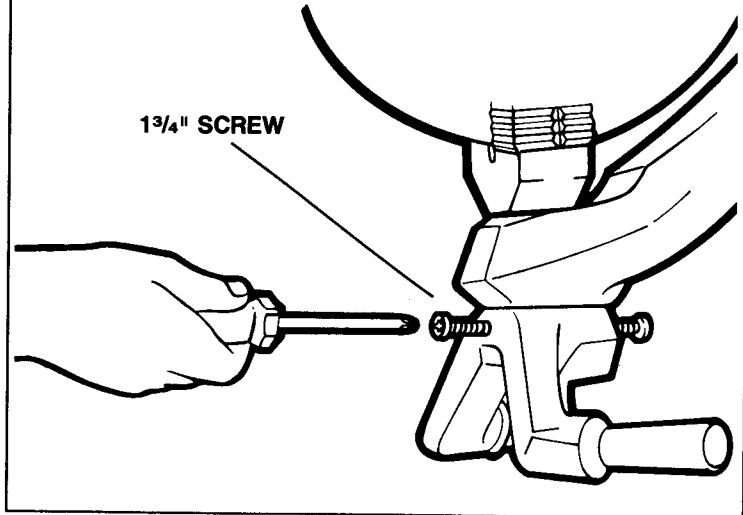
STEP 7. HANDLEBAR ASSEMBLY

Insert post on fork through hole in front of body. Slide handlebars over post on fork. **IMPORTANT NOTE:** The axle caps and the handlebar handles should be facing the rear of the cycle.



STEP 8. HANDLEBAR ASSEMBLY (CONT.)

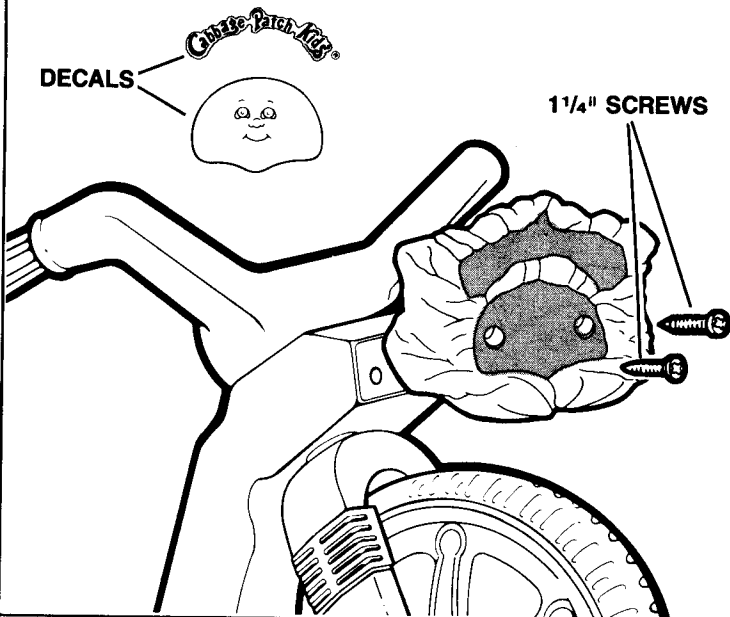
Turn cycle upside down. Push down on fork and fit two 1³/₄" screws into holes in handlebars. Tighten screws, using Phillips screwdriver. **DO NOT OVER-TIGHTEN SCREWS.**



STEP 9. PLAQUE ASSEMBLY AND DECAL APPLICATION

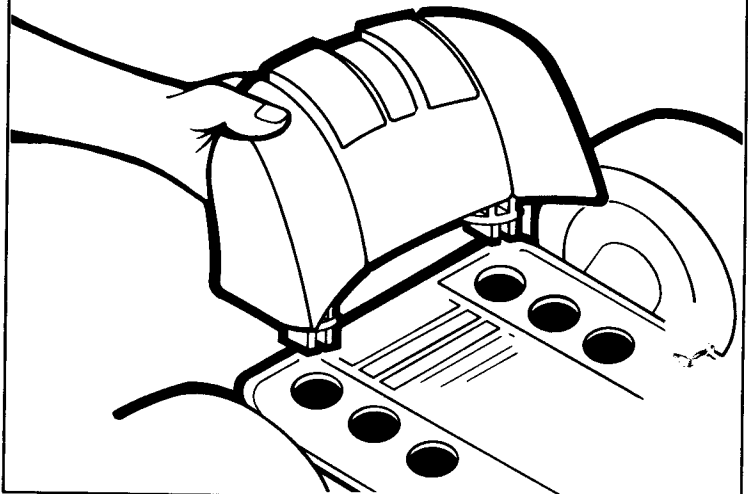
Line up holes in plaque with holes in body. Fit two 1¹/₄" screws through plaque and into holes in body. Tighten screws using a Phillips screwdriver. **DO NOT OVER-TIGHTEN SCREWS.**

Wipe plaque with clean, dry cloth. Make sure holes are at bottom of plaque. Remove decals from decal sheet and apply to plaque as shown.

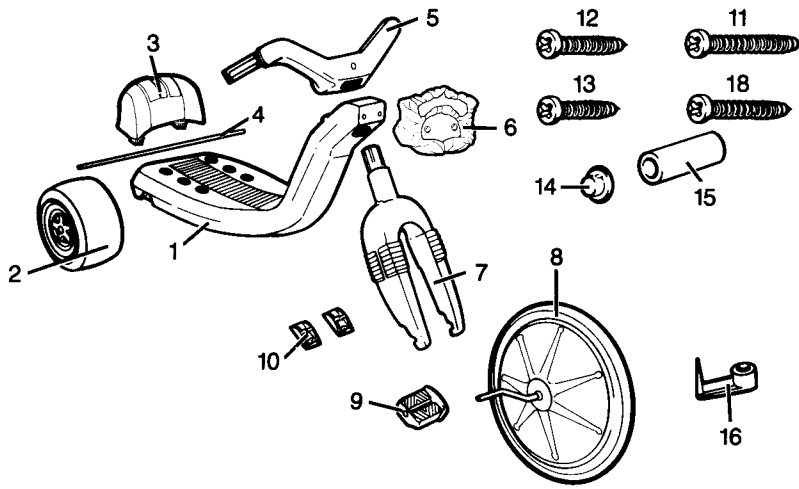


STEP 10. SEAT ASSEMBLY

Insert posts on seat rest into holes in body as shown. **NOTE:** You can adjust the seat to 3 different positions. Be sure your child's feet rest firmly on the pedals when riding this toy.



Replacement Parts Order Form



PARTS DIAGRAM for 16" CABBAGE PATCH KIDS® Power Cycle® Ride-on Model 50558

Please check all parts carefully before assembly

- | | |
|--------------------|--------------------------------|
| 1. BODY | 10. AXLE CAPS (2) |
| 2. REAR WHEELS (2) | 11. 1 3/4" SCREWS (2) |
| 3. SEAT REST | 12. 1" SCREWS (2) |
| 4. REAR AXLE | 13. 5/8" SCREWS (4) |
| 5. HANDLEBARS | 14. PALNUTS (4) |
| 6. PLAQUE | 15. PALNUT TOOL |
| 7. FRONT FORK | 16. CLICKER |
| 8. FRONT WHEEL | 17. DECAL SHEET
(NOT SHOWN) |
| 9. PEDALS (2) | 18. 1 1/4" SCREWS (2) |

If you have any questions, comments, or need additional information concerning this product or its parts, please call our Playskool Consumer Service hotline at 1-800-PLAYSKL (1-800-752-9755), Monday through Friday, 8:00 AM to 5:00 PM Eastern Standard Time.

All written inquiries should be mailed to:
Playskool Consumer Service Department, P.O. Box 200, Pawtucket, Rhode Island 02862-0200

PART NO.	DESCRIPTION	KIT NO.
1	Body (White)	40283506
2	1 Rear Wheel	40282906
3	1 Seat Rest	41229700
4	1 Rear Axle	40282801
5	1 Set of Handlebars	40282510
7	1 Set of Front Forks	40282705
8	Front Wheel with Crankshaft	40284703
14, 15 & 16	Palnut Bag - 4 Palnuts®, Palnut Tool & Clicker	Kit 381
9, 14 & 15	2 Pedals, 2 Palnuts & Palnut Tool	Kit 448
10	Axle Cap Kit	Kit 1006
11, 12, 13 & 14	Hardware Bag - (2) 1 3/4" Screws, (4) 5/8" Screws, (2) 1" Screws, (4) Palnuts	40284100
6	Decal Sheet	41229900
17	Plaque	41229800
6, 17	Decal Sheet & Plaque	Kit 449



Questions? Call: **1-800-PLAYSKL**™

CABBAGE PATCH KIDS - ©Copyright 1986, 1990, ORIGINAL APPALACHIAN ARTWORKS, INC. ALL RIGHTS RESERVED. USED UNDER LICENSE FROM ORIGINAL APPALACHIAN ARTWORKS, INC. Palnut® is a registered trademark of TRW, Inc. All Rights Reserved. ©1990 Playskool, Inc., Pawtucket, RI 02862 USA, a subsidiary of Hasbro, Inc. All Rights Reserved.

PRINTED IN USA.

®denotes Reg. U.S. Patent and TM Office
50558 P/N 41304701