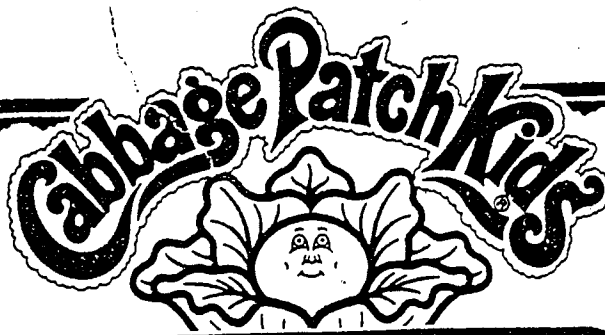


COLECO

Guide No. 201738A

3911

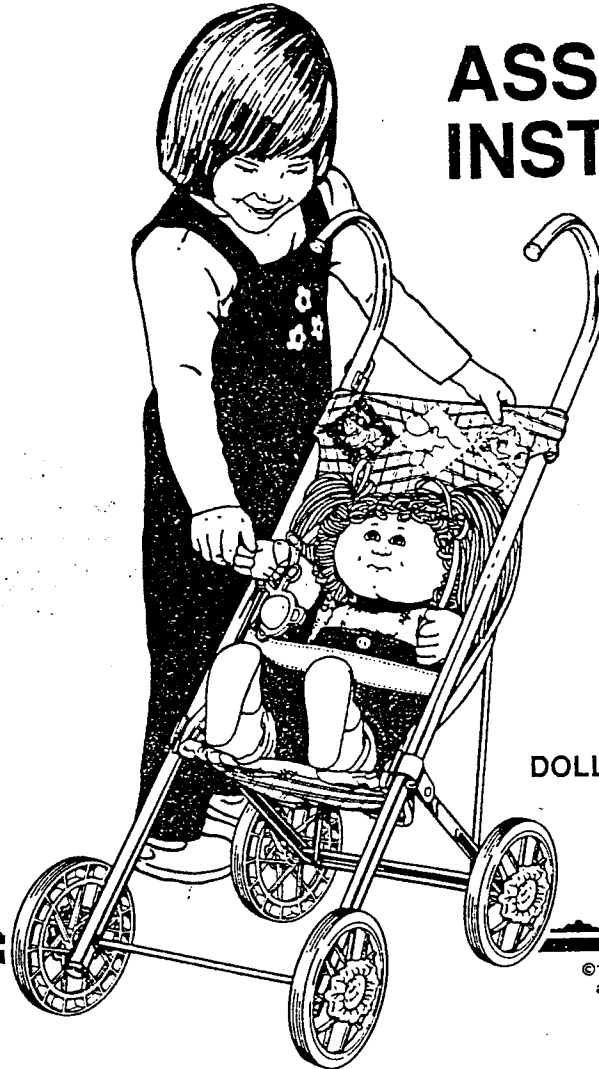
MODEL No. 3911



Doll Stroller

ASSEMBLY INSTRUCTIONS

AGES 3 and UP



DOLL NOT INCLUDED

©1986 Cabbage Patch Kids® and all related trademarks are owned by
and licensed from Original Appalachian Artworks, Inc., Cleveland,
Georgia, U.S.A., All rights reserved.

PLEASE NOTE

THIS PRODUCT SHOULD BE ASSEMBLED BY AN ADULT.

READ INSTRUCTIONS PRIOR TO ASSEMBLY. BEFORE ASSEMBLY, COUNT AND CHECK YOUR PARTS.

TOOLS REQUIRED: Small block of wood approximately 2" x 2" x 2", Phillips Screwdriver, Regular Screwdriver, Hammer, Pliers and Scissors or Knife.

CAUTION

THIS IS A TOY ITEM, NOT TO BE USED FOR TRANSPORTING INFANTS OR CHILDREN. ADULT SUPERVISION AND INSTRUCTION REQUIRED REGARDING PROPER USE OF THIS TOY.

Mfg. by Coleco Industries, Inc.

Printed in U.S.A.

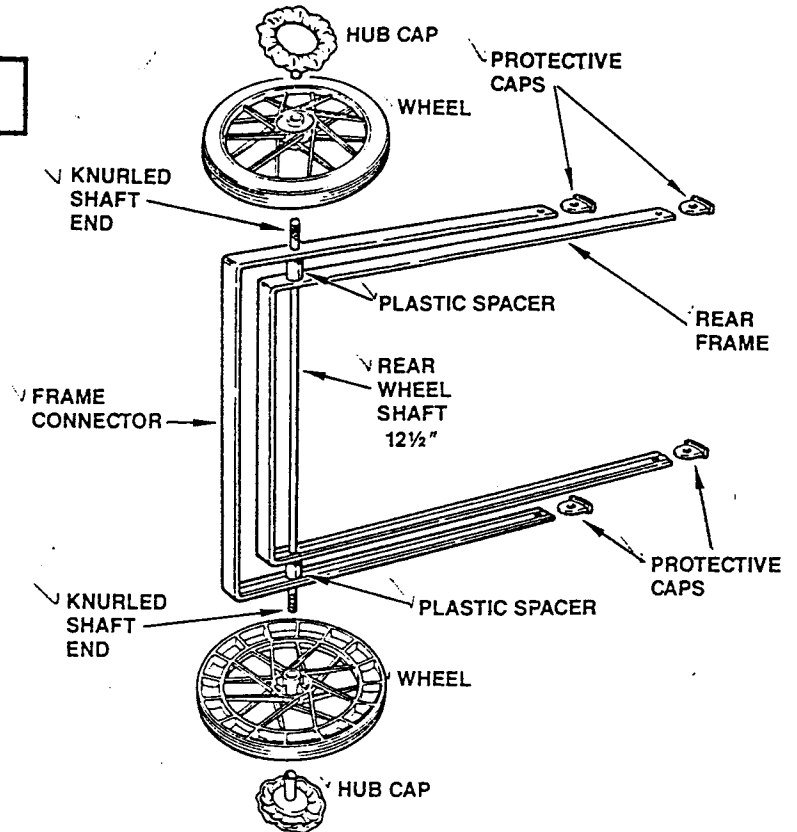
PLEASE NOTE: SOME STROLLER PARTS USED IN ASSEMBLY ARE TOGETHER ON A PARTS TREE (SPREW). CAREFULLY REMOVE PARTS AS NEEDED DURING ASSEMBLY WITH A KNIFE OR SCISSORS. TRIM EACH PART OF EXCESS PLASTIC MATERIAL FOR EASE OF ASSEMBLY BEFORE USE.



REAR FRAME AND WHEELS

NOTE: STUDY THE ASSEMBLY ILLUSTRATION CAREFULLY. ASSEMBLE THE PARTS IN THE FOLLOWING SEQUENCE. MAKE SURE CORRECT WHEEL SHAFT IS USED IN THIS ASSEMBLY.

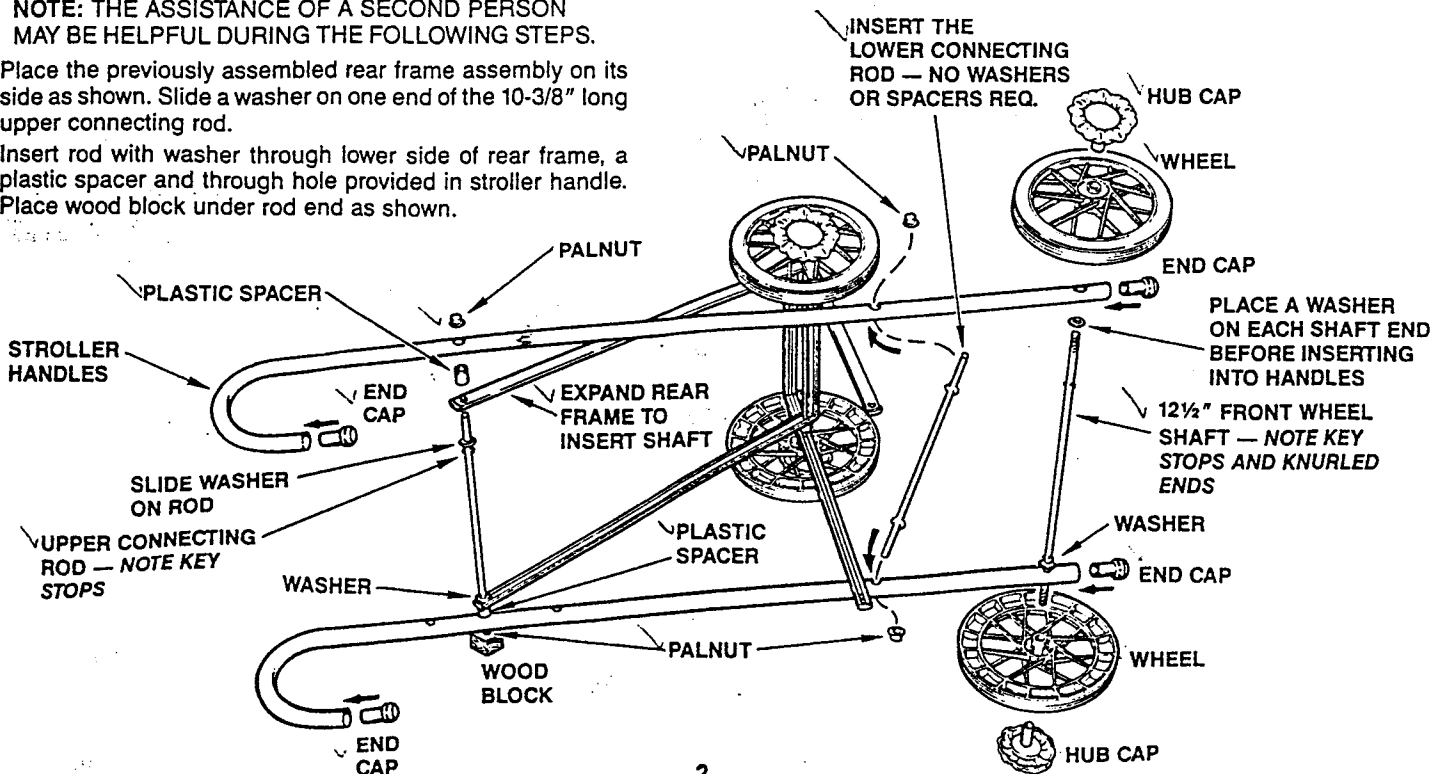
1. Press a protective cap into each end of the rear frame and frame connector as shown.
2. Slide the 12½" long rear wheel shaft into frame connector and place a plastic spacer on shaft.
3. Insert shaft through both sides of rear frame and add another plastic spacer to shaft.
4. Slide shaft through other side of the frame connector.
5. Place a wheel on each end of shaft. **MAKE SURE RIBBED OR OPEN SIDE OF EACH WHEEL FACES INWARD AS ILLUSTRATED.**
6. Place a hub cap on each end of shaft. Push inward → on both caps at the same time with a clockwise ↻ twisting motion until each hub cap is fully seated on knurled shaft ends.



HANDLES, CONNECTING RODS AND FRONT WHEELS

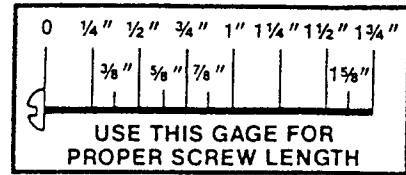
1. Firmly push a plastic end cap into each end of the two stroller handles. Firmly tap each of the end caps in place.
NOTE: THE ASSISTANCE OF A SECOND PERSON MAY BE HELPFUL DURING THE FOLLOWING STEPS.

2. Place the previously assembled rear frame assembly on its side as shown. Slide a washer on one end of the 10-3/8" long upper connecting rod. Insert rod with washer through lower side of rear frame, a plastic spacer and through hole provided in stroller handle. Place wood block under rod end as shown.



- Slide a washer on opposite end of the rod end through rear frame. Press frame against washer and slide a plastic spacer on. Insert rod end through hole in stroller handle. Carefully tap a palnut on exposed rod end.
- Carefully turn entire assembly over and rest previously attached palnut on the wood block. Tap a second palnut on rod end protruding through the stroller handle.
- Place lower connecting rod as shown and at the same time insert 12½" long front wheel shaft with washers as shown. Place wood block under bottom end of lower connecting rod and tap a palnut on end of rod protruding through handle. **NOTE: LOWER CONNECTING ROD DOES NOT ATTACH TO FRAME CONNECTOR ENDS.**

- Carefully turn entire assembly over and rest previously attached lower connecting rod palnut on the wood block. Tap a second palnut on rod end protruding through stroller handle.
- Place a wheel on each knurled end of exposed front wheel shaft and attach hub caps in the same manner as the previously completed rear frame assembly.



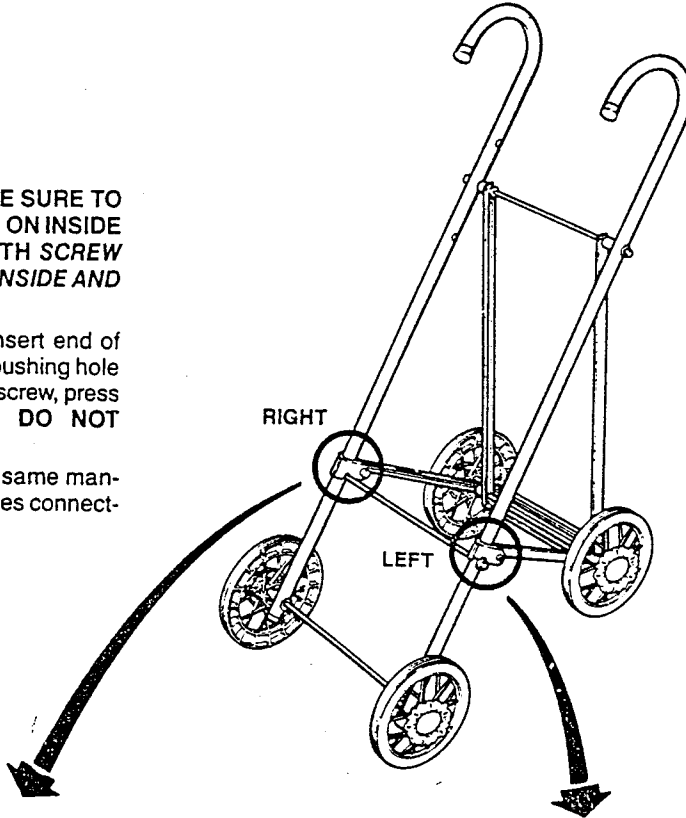
SLIDE BUSHINGS

IMPORTANT

THESE PARTS ARE LEFT AND RIGHT PIECES. BE SURE TO CHECK FOR LETTER "L" (LEFT) AND "R" (RIGHT) ON INSIDE SURFACE OF SLIDE BUSHINGS. ASSEMBLE WITH SCREW HOLE TO THE OUTSIDE AND LOCK SLOT TO THE INSIDE AND DOWN.

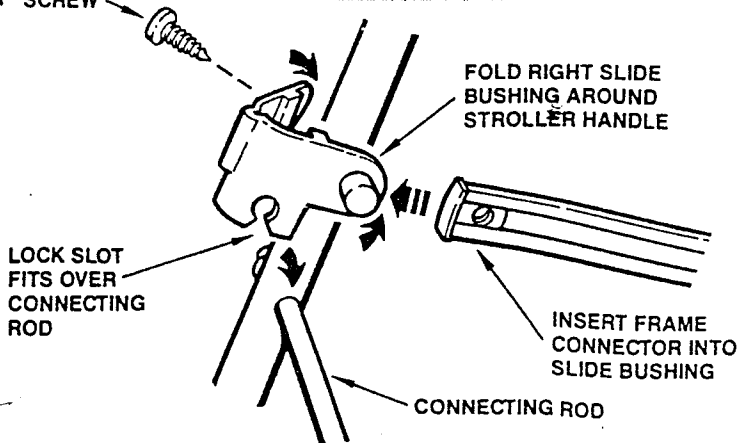
- Fold slide bushing around stroller handle and insert end of frame connector. Align frame connector hole with bushing hole and hold aligned pieces firmly together. Insert 3/4" screw, press bushing tightly together and secure screw. **DO NOT OVERTIGHTEN.**

Attach remaining bushing to opposite side in the same manner. Press each bushing down until lock slot engages connecting rod.

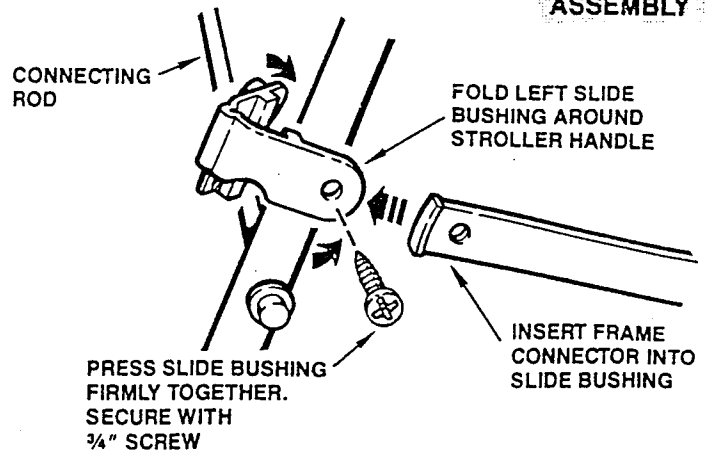


PRESS SLIDE BUSHING FIRMLY TOGETHER. SECURE WITH 3/4" SCREW

RIGHT SIDE ASSEMBLY



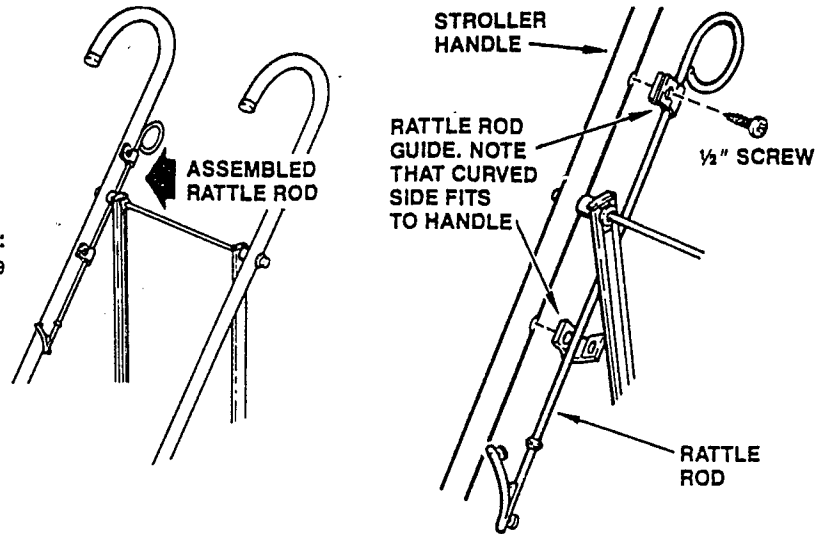
LEFT SIDE ASSEMBLY





ATTACH RATTLE ROD

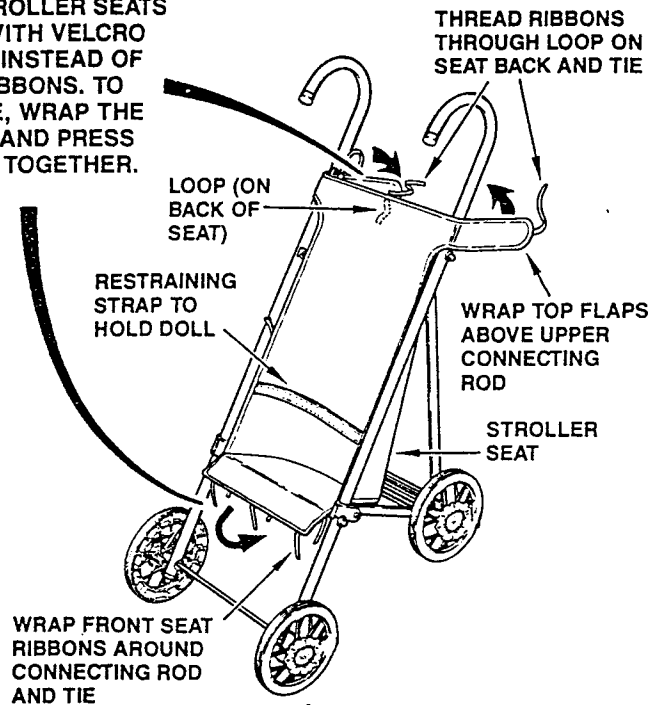
1. Fold rattle rod guides around the rattle rod as shown. **NOTE:** Curved side of each guide fits against stroller handle. Secure each guide to handle with a 1/2" screw.



SEAT BODY

1. Position stroller seat body into assembly as shown. Secure seat to stroller according to type of seat supplied with stroller. **SEE SEAT ASSEMBLY ILLUSTRATION.**

NOTE
SOME STROLLER SEATS COME WITH VELCRO STRIPS INSTEAD OF TIE RIBBONS. TO SECURE, WRAP THE FLAPS AND PRESS STRIPS TOGETHER.



ATTACHING RATTLE

CAUTION

THIS IS A TOY AND IS NOT INTENDED FOR USE BY INFANTS

1. Place doll in stroller seat. Position the upper portion of doll's right arm into curve of rattle rod. Attach the arm band (end with one hole) to one pin on rattle rod as shown. Wrap the band around doll arm and attach to remaining pin using any hole for a snug fit.
Move the top of the rattle rod up and down. The doll will wave.
2. Slide the rattle over doll hand to the position shown. Move the rattle rod up and down and rattle will shake.

CARE INSTRUCTIONS

1. **DO NOT** dry clean seat body.
2. If seat body is cloth, gently hand wash using warm water and a mild detergent. Hang dry or tumble dry on medium heat or permanent press.
3. If seat body is vinyl, gently wipe with a damp cloth and allow to dry.

ADULTS PLEASE NOTE:

PERIODICALLY CHECK TO ENSURE ALL PARTS AND HARDWARE ARE SECURE.

PLEASE RETAIN THIS GUIDE AND ALL LITERATURE FOR FUTURE REFERENCE

