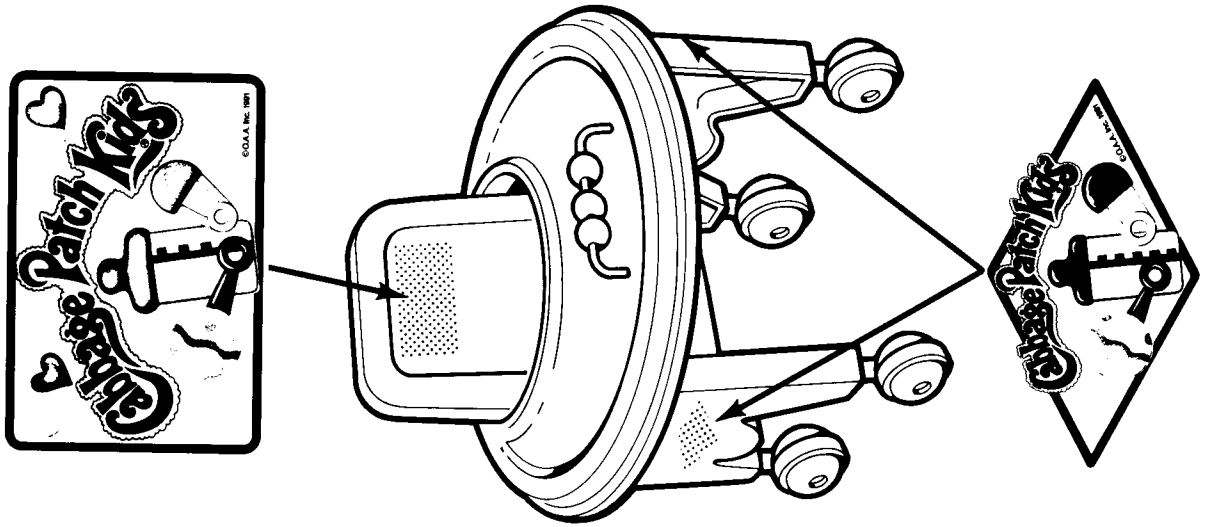


DECAL INSTRUCTIONS

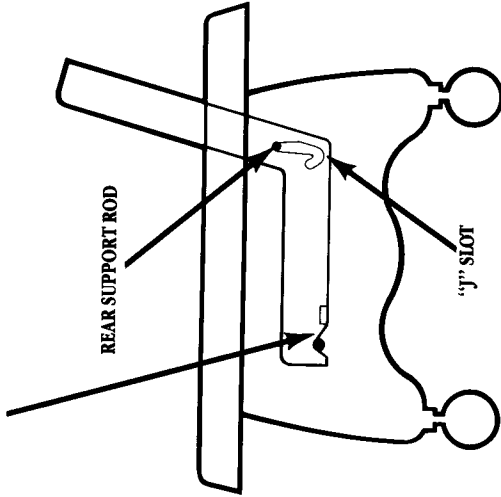
Thoroughly clean area with clean, dry cloth before applying decal. Using decal sheet, remove decal and apply to position on the walker as shown. The decal has a quick-setting adhesive. Be sure of position before applying. Decal cannot be lifted after setting. NOTE: DECAL IS NONTOXIC.



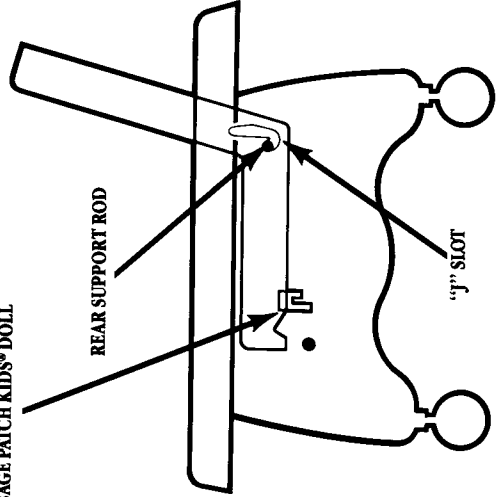
SEAT POSITIONS

To change seat levels, lift and place the rear support rod into either "J" slot position as shown.

POSITION FOR PREMIE® DOLL



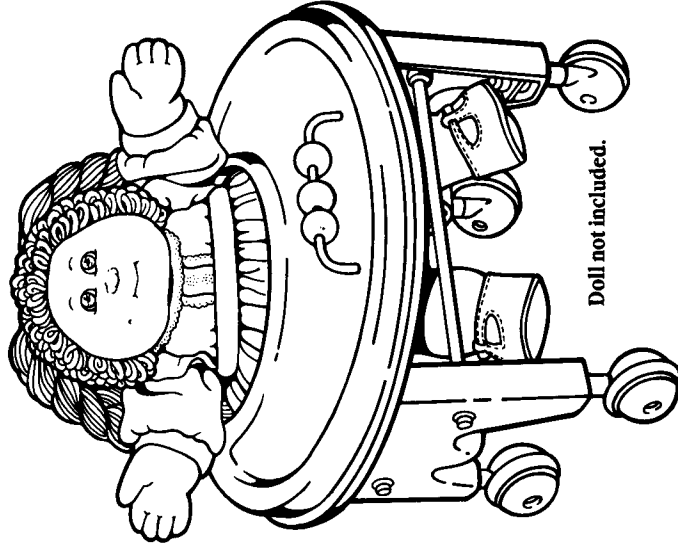
POSITION FOR STANDARD CABBAGE PATCH KIDS® DOLL



Ages: 3 & Up 3939

Cabbage Patch Kids
Infant Walker™

ASSEMBLY INSTRUCTIONS



Doll not included.

CAUTION:
TOY ONLY — NOT TO BE USED FOR
TRANSPORTING INFANTS.

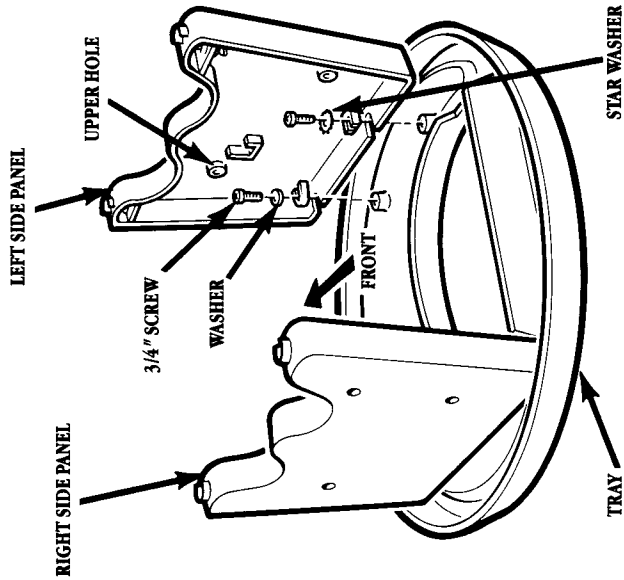
ADULT ASSEMBLY REQUIRED.
TOOLS NEEDED FOR ASSEMBLY: Hammer,
 Phillips® Screwdriver and a small Block of Wood
 (approximately 2" x 2" x 3/4").



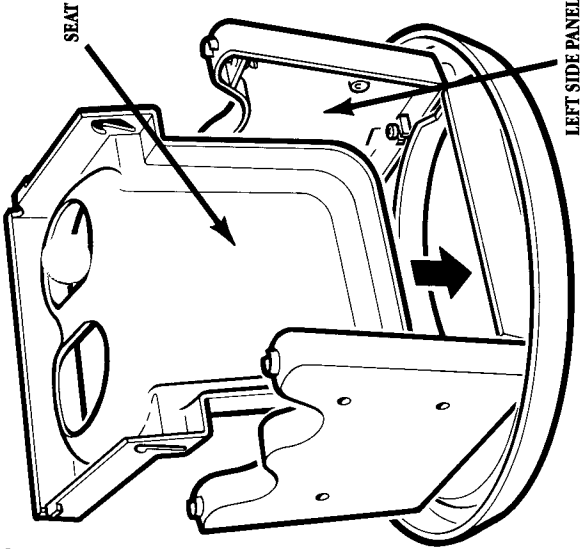
PARTS LIST

Before you start assembling the Infant Walker, check all the parts listed below.

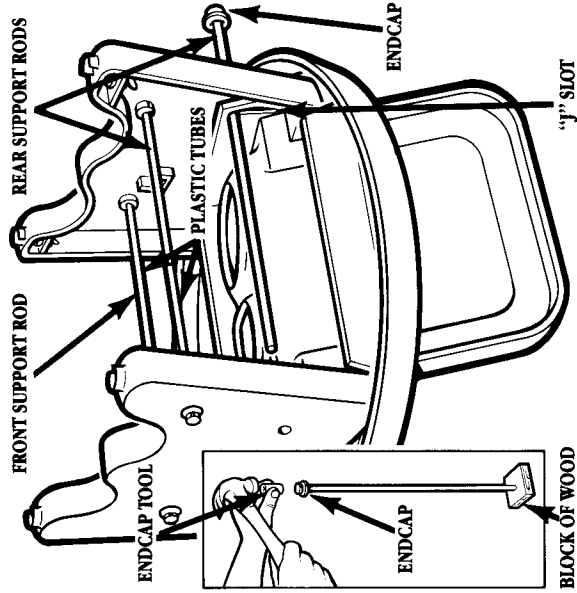
1. Endcap Tool
2. Endcaps (6)
3. 3/4" Screws (4)
4. Washers, Plain (2)
5. Star Washers (2)
6. Support Rods (3)
7. Plastic Tubes (2)
8. Right Side Panel
9. Left Side Panel
10. Seat
11. Tray (with Bead Assembly)
12. Casters (4)
13. Decal Sheet



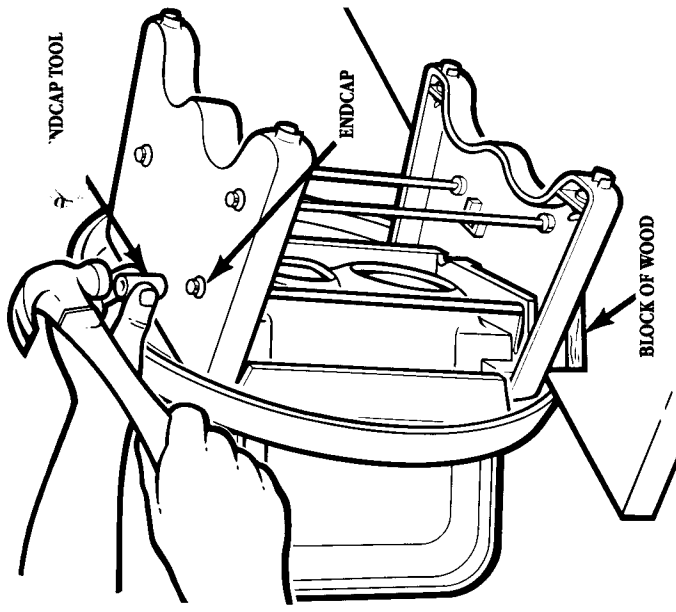
1. Place the tray on a flat surface in the position shown. Attach the right and left side panels to the tray using four 3/4" screws, two plain and two star washers. Be certain that the upper holes are positioned towards the front of the walker as shown. NOTE: Do not overtighten screws.



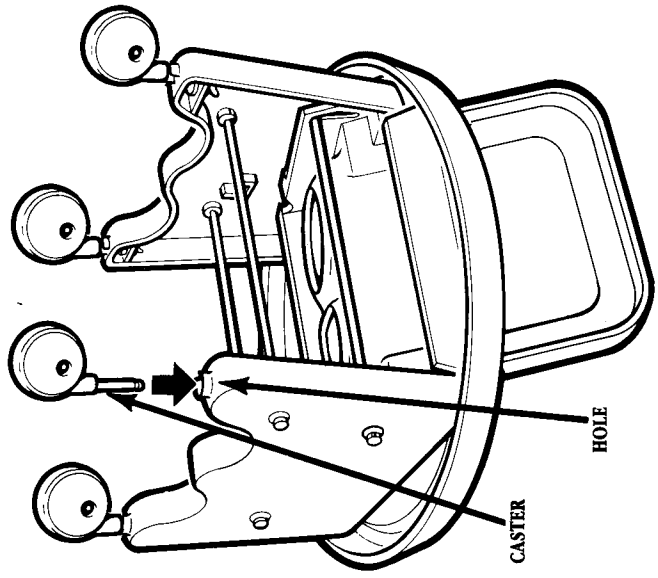
2. Position the seat just above both side panels. Carefully spread the side panels just enough to allow the seat to slide all the way down into position.



3. Using a hammer and endcap tool, tap an endcap onto one end of each support rod. Place the plastic tubes between the holes for the front and rear support rods. Insert support rods through the side panel holes, through the plastic tubes, all the way to the other side. Install the other rear support rod through the side panel hole and through the "J" slots in the seat, to the other side.



4. Place the walker assembly onto a table as shown. Place a block of wood under the fastened endcaps and secure the other two endcaps as before.



5. Place the assembly upside down and push the four casters into the holes as shown. Be sure to push all the way down.