

451, 0

ASSEMBLY INSTRUCTIONS

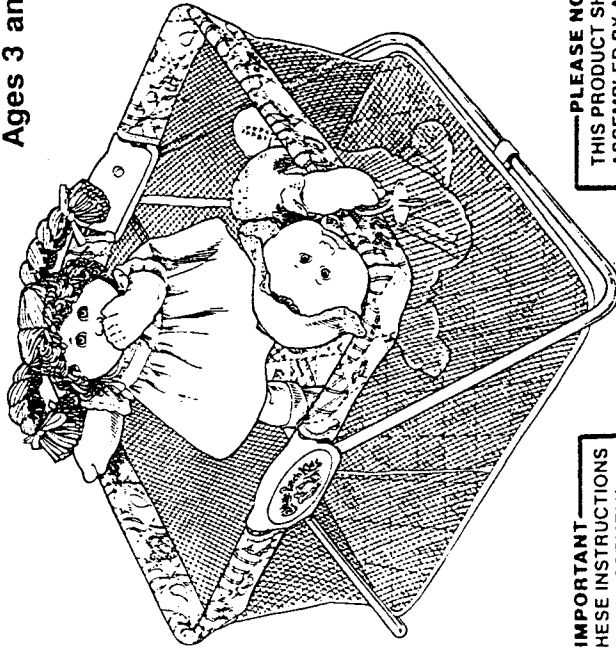
NOTE: ALTHOUGH ONE PERSON CAN ASSEMBLE THIS PRODUCT, TWO PEOPLE MAKE THIS ASSEMBLY EASIER.

Guide No. 200445



Item No. 3933

Ages 3 and up



IMPORTANT
READ THESE INSTRUCTIONS
BEFORE ASSEMBLY

PLEASE NOTE
THIS PRODUCT SHOULD BE
ASSEMBLED BY AN ADULT

Phillips Head or standard screwdriver Required

COLECO

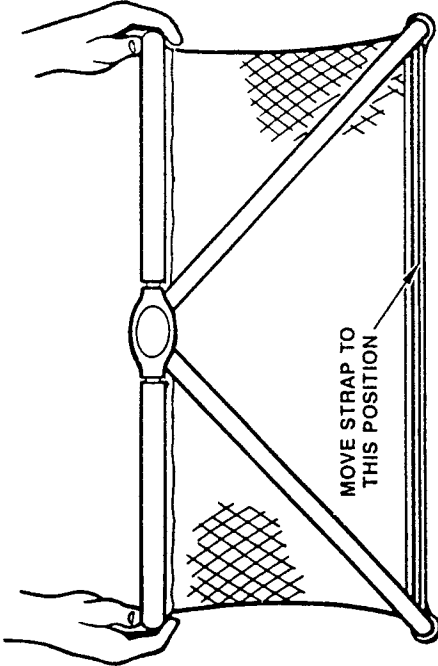
CAUTION
THIS IS A TOY AND IS NOT INTENDED FOR USE BY INFANTS

© 1984 Cabbage Patch Kids® is a registered trademark of and licensed from Original Appalachian Artworks, Inc. Cleveland, Georgia, U.S.A. All Rights Reserved.

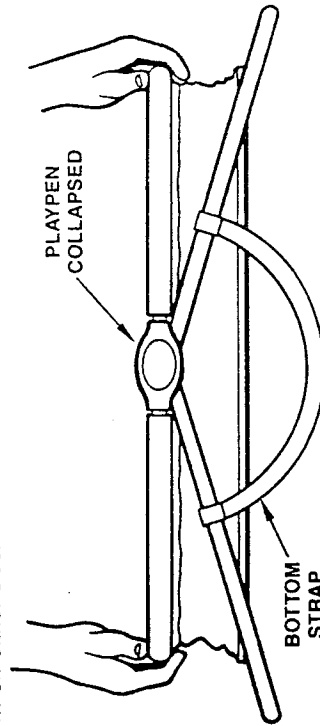
Mfg. by Coleco Industries, Inc.



To open the playpen turn it upside down on the floor. Swing one bottom rail up and hold. Swing the other bottom rail up and slide both ends of the bottom strap around to the bottom of the playpen. Turn upright and let net fall into place. If playpen rocks, move bottom strap.



To collapse the playpen slide the bottom strap from underneath to the position shown on either side.



NOTE: Vinyl can be cleaned using mild soap and warm water. Use a damp cloth.

PLEASE RETAIN THIS GUIDE AND ALL LITERATURE FOR FUTURE REFERENCE

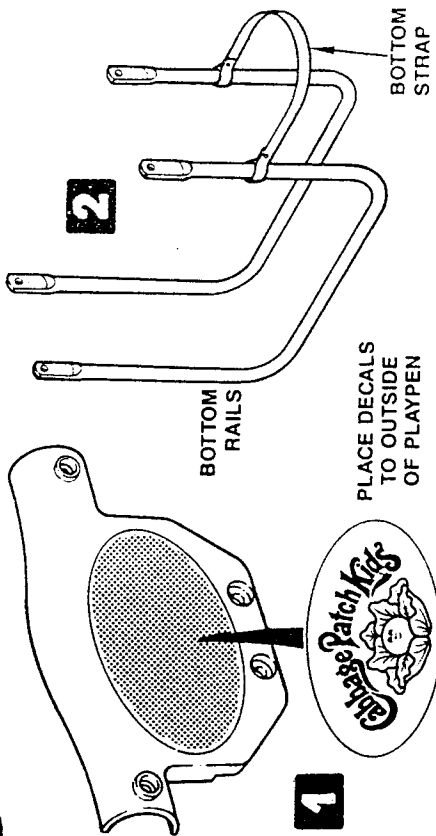
COLECO

COLECO INDUSTRIES, INC., P.O. BOX 10649, WEST HARTFORD, CT 06110

3433

ASSEMBLY INSTRUCTIONS

NOTE: Your playpen consists of the following parts: 2 Bottom Rails; 1 Bottom Strap; 2 Top Rails; 1 Net; 2 Inside Covers; 2 Outside Covers; 2 Decals plus 8 screws for assembly.



STEP 1. APPLY DECALS TO OUTSIDE COVERS

Thoroughly wipe decal areas with a clean, dry cloth. Remove one decal at a time and place in the position shown.

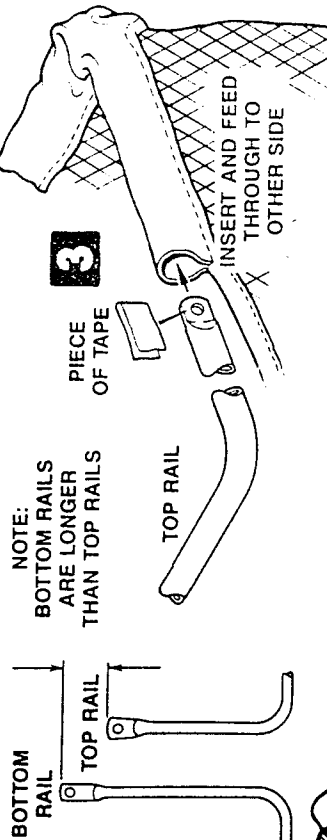
Caution: Decals have a strong and quick setting adhesive. Be sure of position before setting in place.

STEP 2. ASSEMBLE BOTTOM RETAINING STRAP

Slide the ends of the bottom strap over the ends of the bottom rails to the position shown. **NOTE:** Bottom rails are longer than top rails. See illustration below.

STEP 3. INSTALL TOP RAILS INTO PLAYPEN

Place a piece of tape over the end of one top rail. Insert the top rail into the opening as shown and feed it through until it protrudes through other end. Repeat the process for the other side.

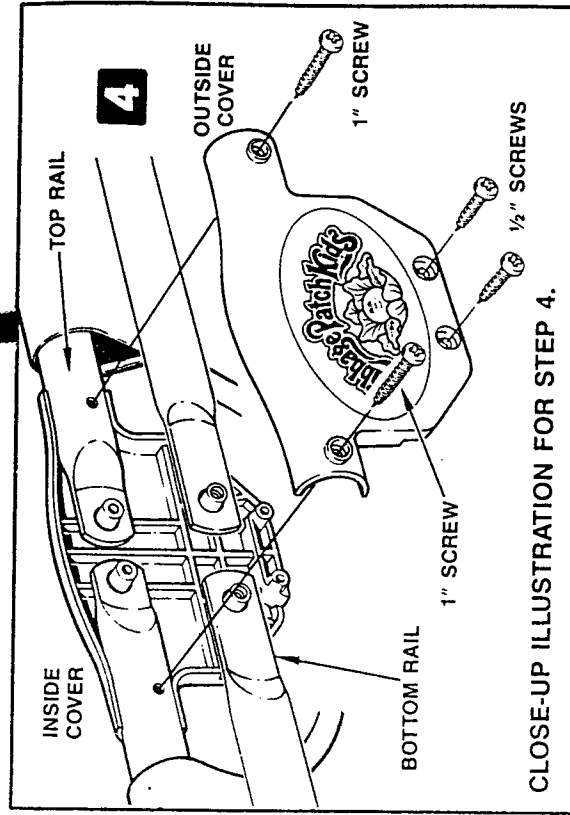
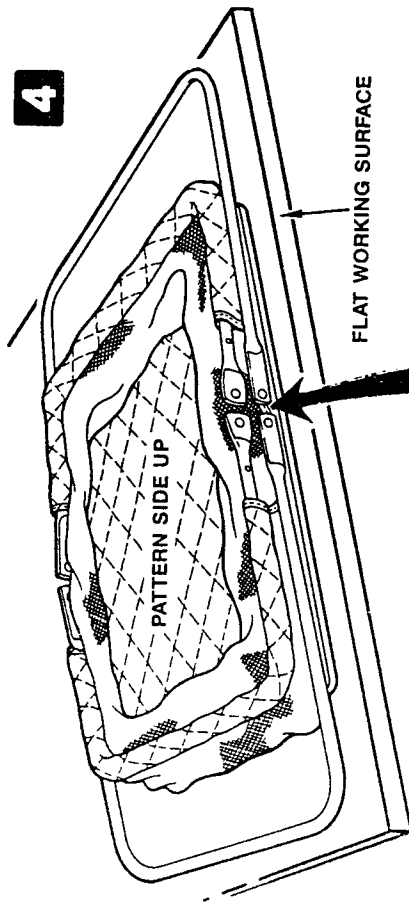


NOTE: THIS STEP REQUIRES TWO ASSEMBLERS

STEP 4. ASSEMBLE SIDE COVERS TO PLAYPEN

Assemble one side of the playpen by inserting the top rails into the plastic covers as shown. With the assistance of another person, hold the two covers with your hand and secure with two 1" screws and two 1/2" screws as shown. Repeat the process for the other side.

CAUTION: DO NOT OVERTIGHTEN SCREWS.



CLOSE-UP ILLUSTRATION FOR STEP 4.