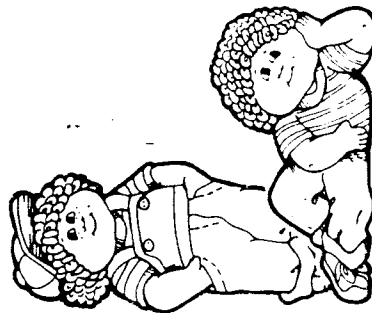




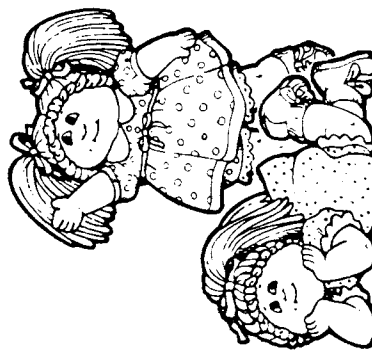
# Rocker/Carrier

Model No. 3912

Ages 3 and up



**IMPORTANT**  
READ THESE INSTRUCTIONS  
BEFORE ASSEMBLY



**PLEASE NOTE**  
THIS PRODUCT SHOULD BE  
ASSEMBLED BY AN ADULT

NO TOOLS REQUIRED.

**COLECO**

**CAUTION**

**THIS IS A TOY AND IS NOT INTENDED FOR USE BY INFANTS**

© 1983, 1984 Cabbage Patch Kids™ is a trademark of and licensed from Original Appalachian Artworks, Inc. Cleveland, Georgia, U.S.A. All Rights Reserved.

Mfg. by Coleco Industries, Inc.

Printed in U.S.A.



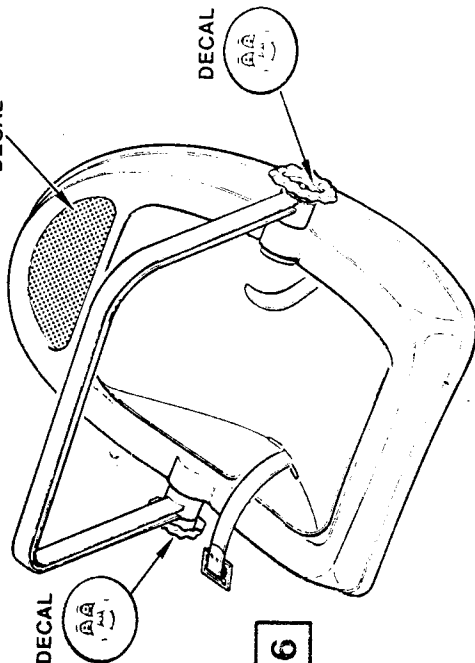
### STEP 6.

Thoroughly wipe decal areas with a clean dry cloth. Carefully remove decals, one at a time. Position decal and smooth in place.

**CAUTION**  
DECALS HAVE QUICK SETTING ADHESIVE. BE SURE OF POSITION BEFORE APPLYING—DECAL CANNOT BE LIFTED AFTER SETTING.



DECAL



DECAL

DECAL

6

PLEASE RETAIN THIS GUIDE AND ALL LITERATURE FOR FUTURE REFERENCE



COLECO INDUSTRIES, INC., P.O. BOX 1100, GLOVERSVILLE, NY 12078 U.S.A.

# ASSEMBLY INSTRUCTIONS

## STEP 1.

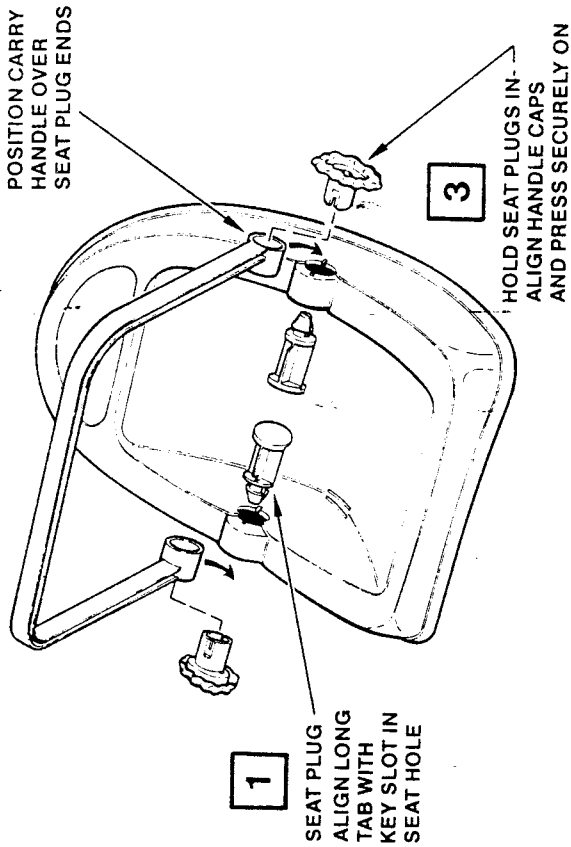
Insert the seat plugs through the inside of the seat as shown. **NOTE: BE SURE** the angle of seat plug head matches the angle of seat arm—the long tabs on seat plug fit into the key slots in seat hole.

## STEP 2.

Position the carry handle over the seat plug ends.

## STEP 3.

Place the handle caps by aligning angle of caps to seat arm angles. Hold each seat plug firmly in the seat arm and press the handle cap on until it snaps securely in place.



## STEP 4.

Insert seat belt down through outside slot and up through inside slot in seat. Pass the belt across the seat and down and up through the opposite seat slots, as shown.

## STEP 5.

Fold the seat pad sides as shown and place the pad into the seat. Position the seat belt ends into slots in the pad.

