

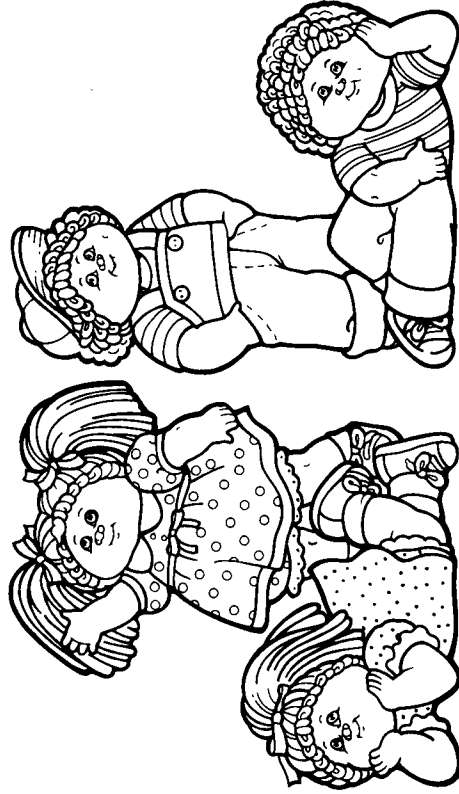
Ages: 3 & up

3919

Image Patch Kids[®] Table Mate[™]

ASSEMBLY INSTRUCTIONS

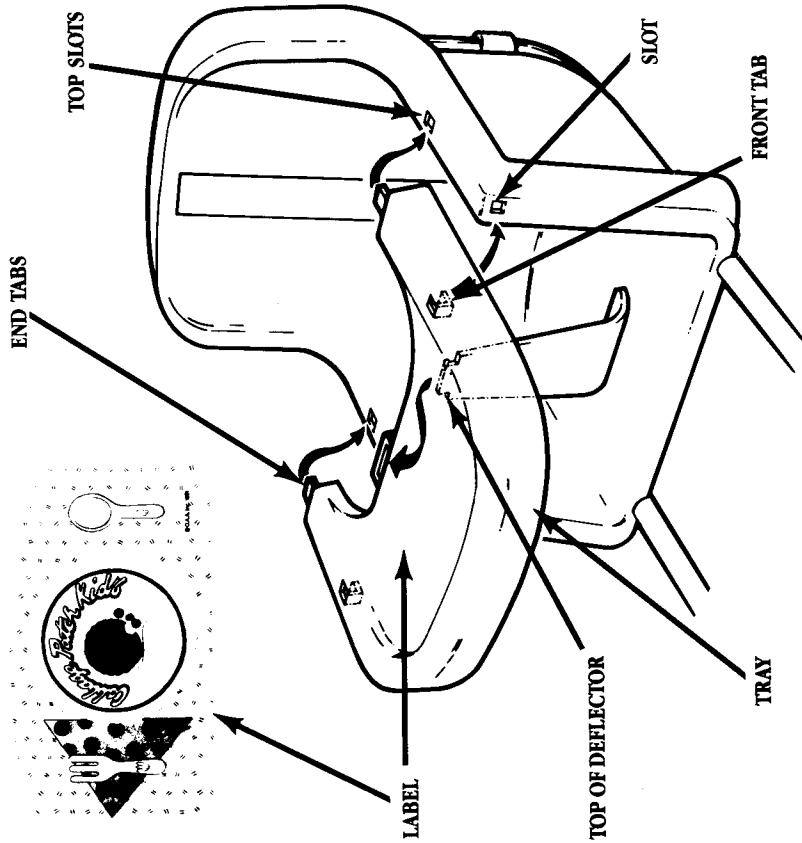
IMPORTANT:
READ THESE INSTRUCTIONS BEFORE ASSEMBLY.
THIS PRODUCT SHOULD BE ASSEMBLED BY AN ADULT.
TOOLS REQUIRED: Phillips[®] Screwdriver



CAUTION -
THIS IS A TOY AND IS NOT INTENDED FOR USE BY INFANTS

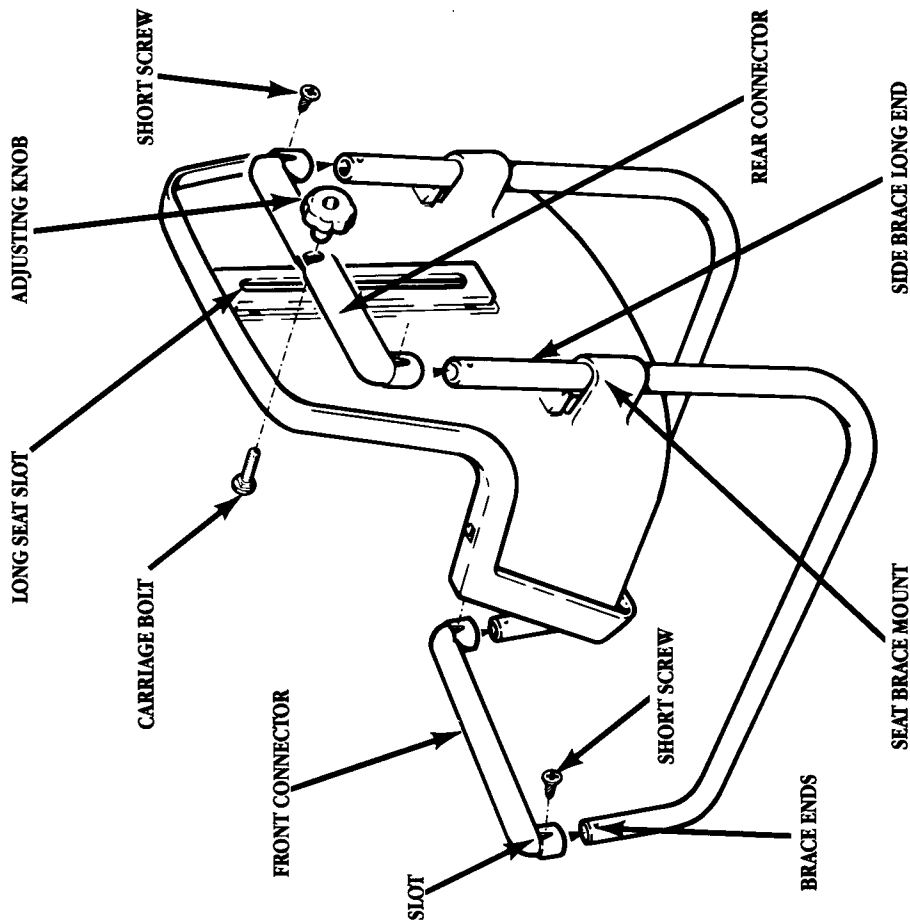


CAUTION:
DECALS HAVE QUICK SETTING ADHESIVE. BE SURE OF POSITION BEFORE APPLYING — DECAL CANNOT BE LIFTED AFTER SETTING.

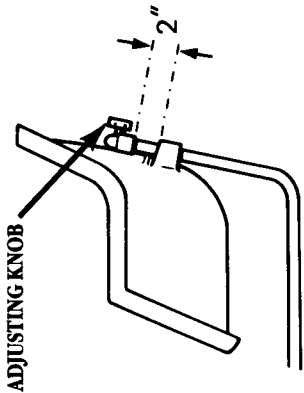


- Using a clean, dry cloth, thoroughly wipe the top of the tray. Carefully peel the backing from the label sheet. Apply the label to the tray — BE SURE OF POSITION before smoothing down. NOTE: LABEL IS NON-TOXIC.
- Tilt the rear of tray enough to insert the tab at each end into slots in top of seat arms. Align top of the deflector with slot at center of the tray. Move the forward end of tray downward to align forward tabs with slots in front of seat arms. Push tray back towards rear of seat until forward tabs engage by snapping into slots. Press center tray slot downward to ensure deflector tab engages.

PLEASE RETAIN THIS GUIDE AND ALL LITERATURE FOR FUTURE REFERENCE



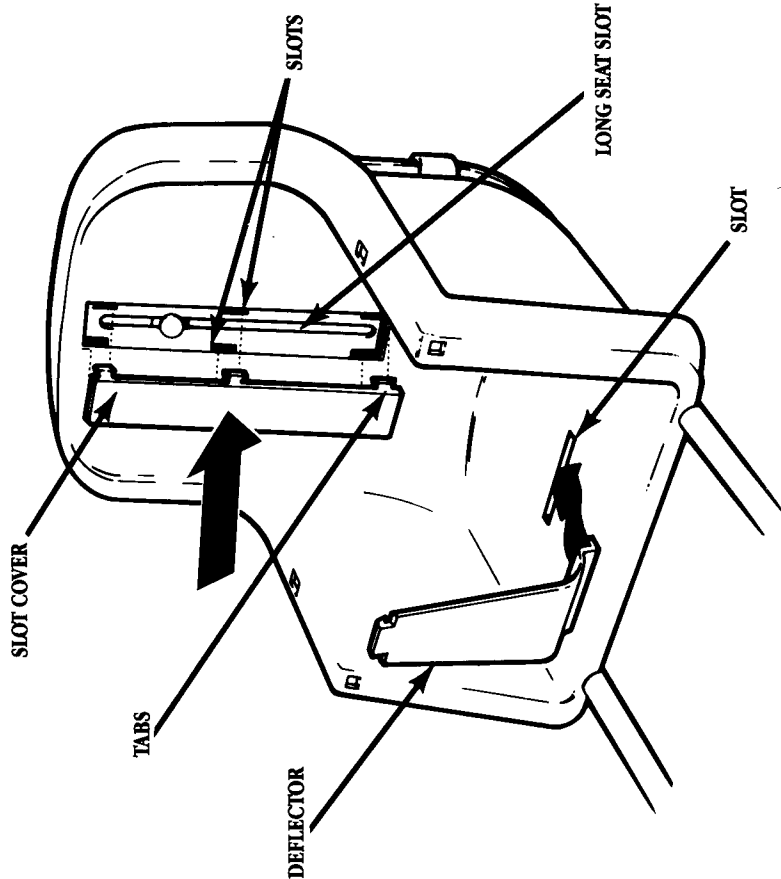
1. Slide the long ends of side braces through the brace mounts on the back of the seat.
2. Press the rear connector onto the long ends of the side braces. BE SURE the screw slots are facing the rear. Secure the connector in place with two short screws as shown. DO NOT OVERTIGHTEN.
3. Press the front connector onto the forward ends of side braces. BE SURE the screw slots are facing the rear. Secure the connector in place with the two remaining short screws. DO NOT OVERTIGHTEN.
4. From the front of the seat, insert the carriage bolt into the long slot and through the opening in the center of the rear connector and loosely attach the adjusting knob.



-SPECIAL NOTE-
WHEN ADJUSTING SEAT UP OR DOWN,
ALWAYS ALLOW AT LEAST 2"
FROM THE UPPERMOST POSITION



Slide the seat up or down, to desired position and tighten the adjusting knob.
DO NOT OVERTIGHTEN.



5. Insert the six tabs on the slot cover into the slots in the seat back recess, then press cover in until tabs snap fully into slots.
6. Tilt top of deflector towards rear of seat, insert bottom end into slot in seat and slide completely into the slot. Tilt deflector back toward front.