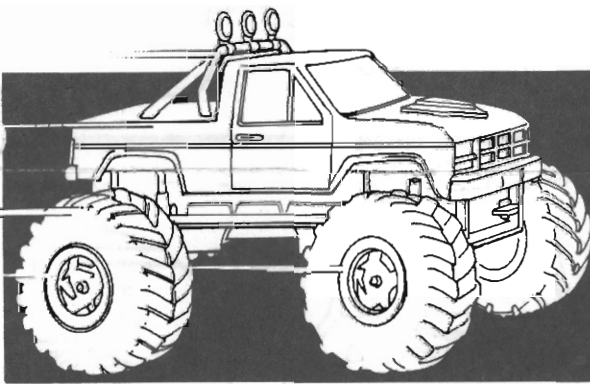
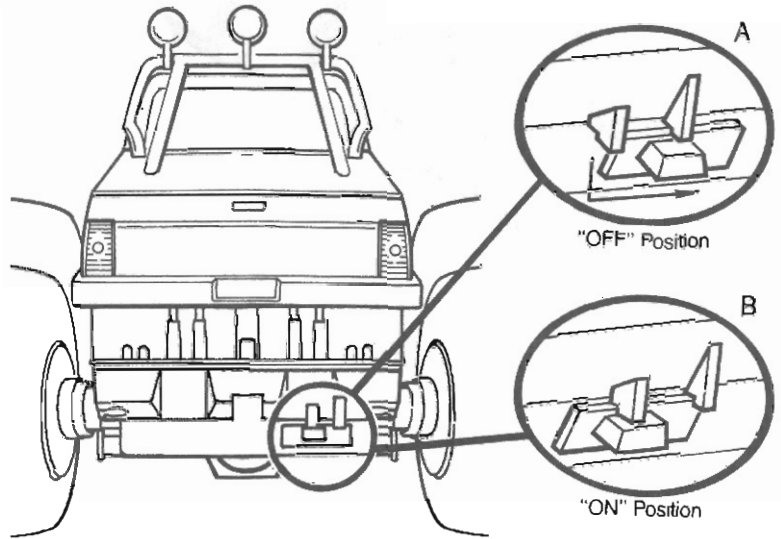


THE CLAW™ VEHICLE

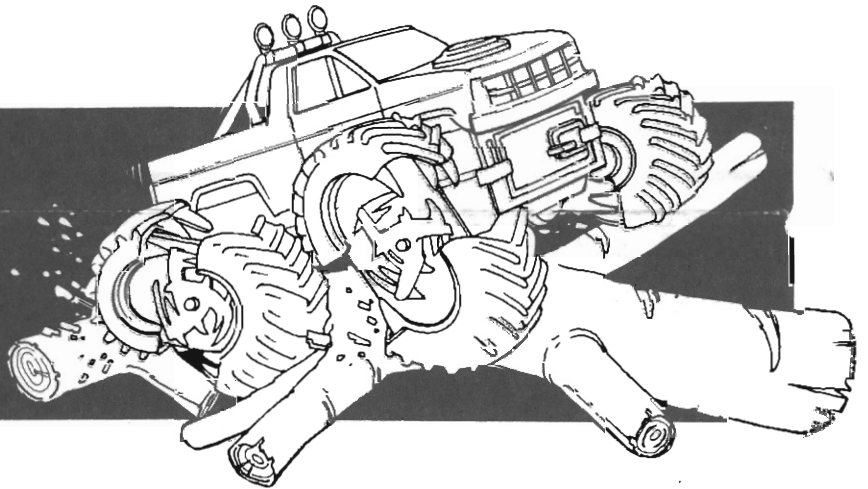
OPERATION

First locate the power switch on the lower rear portion of the vehicle. When the lever is moved to the right or "OFF" position (as shown in A) the motor is turned off. This permits the wheels to move freely, allowing THE CLAW™ Vehicle to roll both forward and backward.

When lever is moved to the left or "ON" position (as shown in B) the vehicle will move under its own power, ready to travel and climb any rough terrain.



While operating your vehicle on a smooth surface, the wheels roll normally.

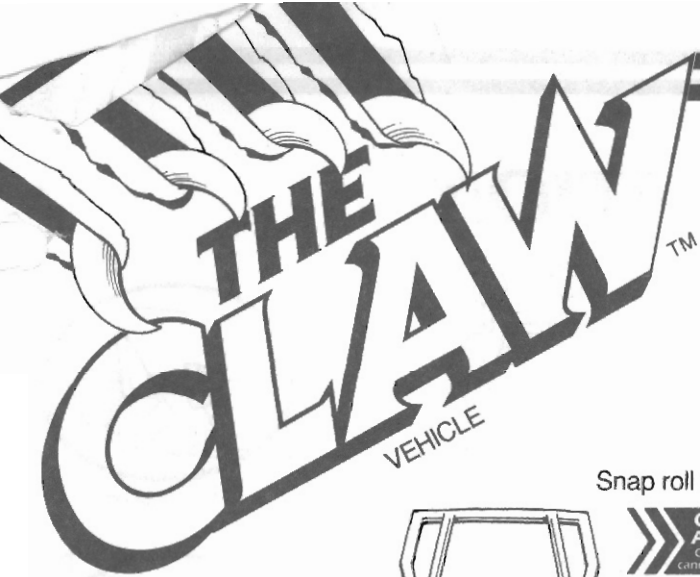


Once your vehicle comes upon rough terrain, the wheels open when they meet resistance to expose the claw-like teeth inside. THE CLAW™ Vehicle is a savage, untamed monster truck!

WHEEL CLEANING

If the vehicle's wheels need cleaning or become jammed, turn the power switch off and pull the wheel open.



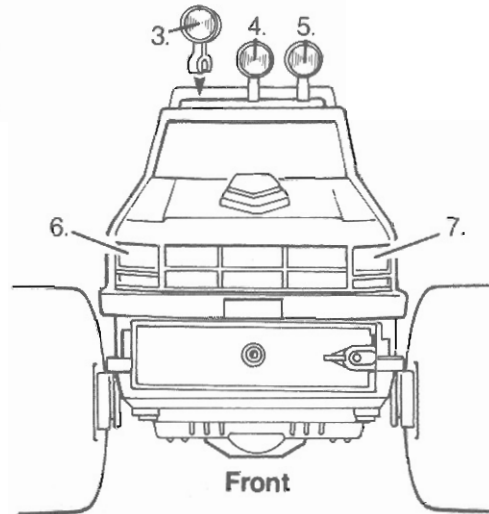
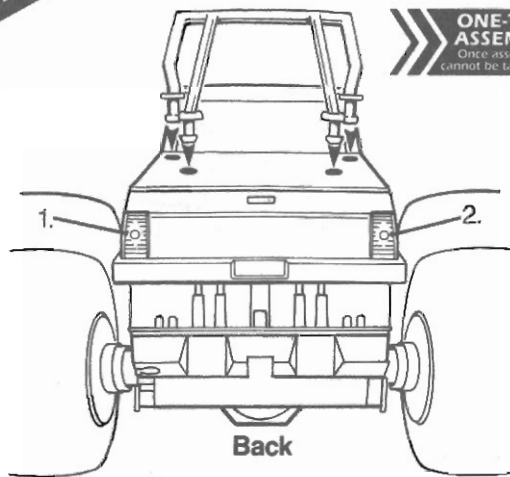


LABEL 124000 PLACEMENT

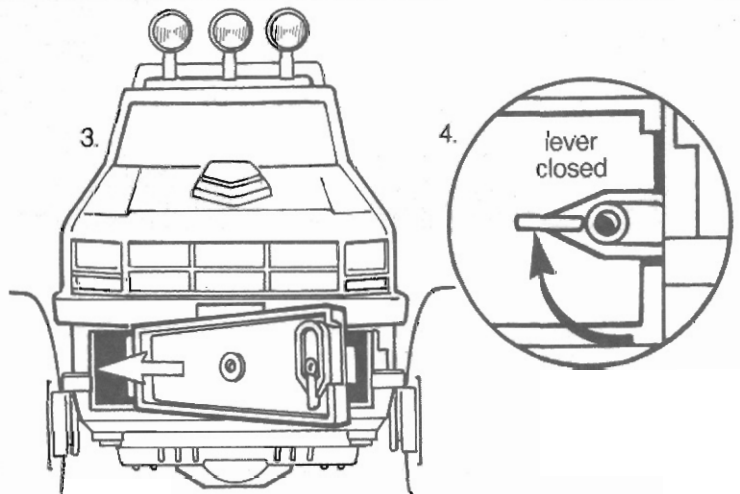
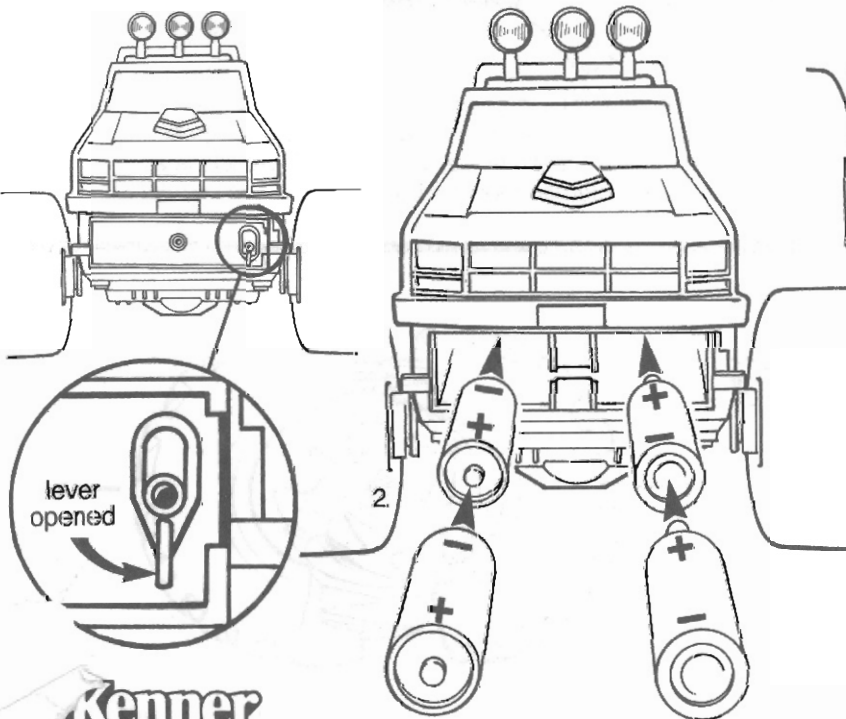
Apply labels by following numbers on label sheet and using these illustrations as a guide.
After applying labels to lights, snap lights to roll bar as shown below.

Snap roll bar into place.

ONE-TIME ASSEMBLY
Once assembled, cannot be taken apart.



BATTERY INSTALLATION



1. Locate battery compartment on front portion of truck. Rotate lever down to unlock the battery compartment door, and remove door to view the battery compartment.
2. Use four "C" alkaline batteries (batteries not included). Install the batteries on left side of battery compartment with the positive (+) end out, and the right side positive (+) end in as shown.
3. To replace the compartment door, insert the tab c. left side of compartment door into slot on chassis and swing door to closed position.
4. Shut and lock door by rotating lever as shown.

Kenner