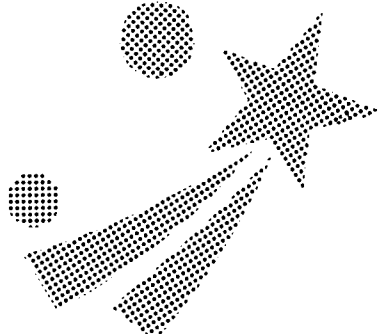


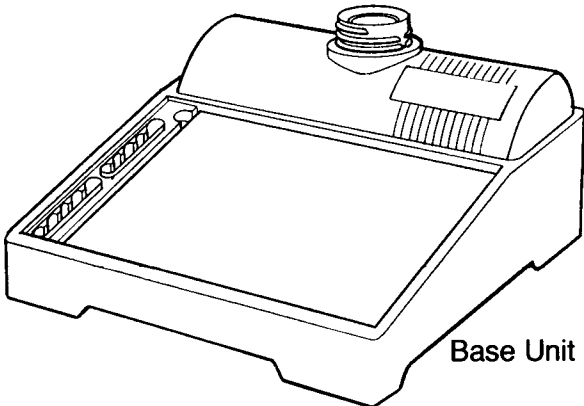
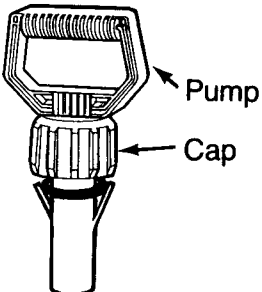
COLORBLASTER™ DRAWING SYSTEM



1

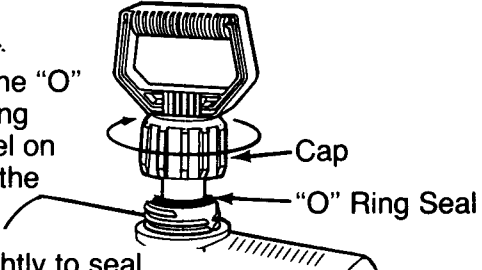
ONE-TIME ASSEMBLY
Once assembled cannot be taken apart

To assemble, insert pump all the way into base.



2

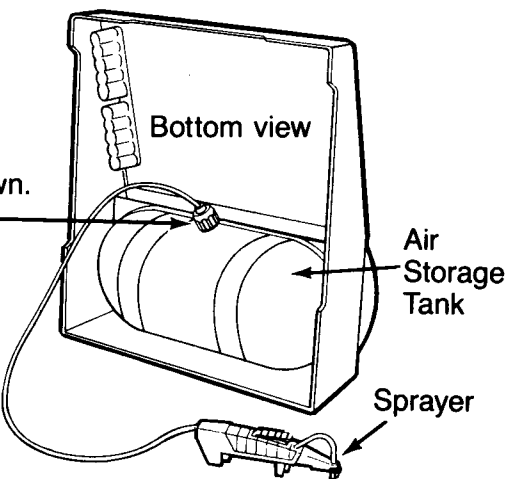
Make sure that the "O" Ring Seal is sitting properly and level on the inside rim of the air tank.



Screw cap on tightly to seal.

3

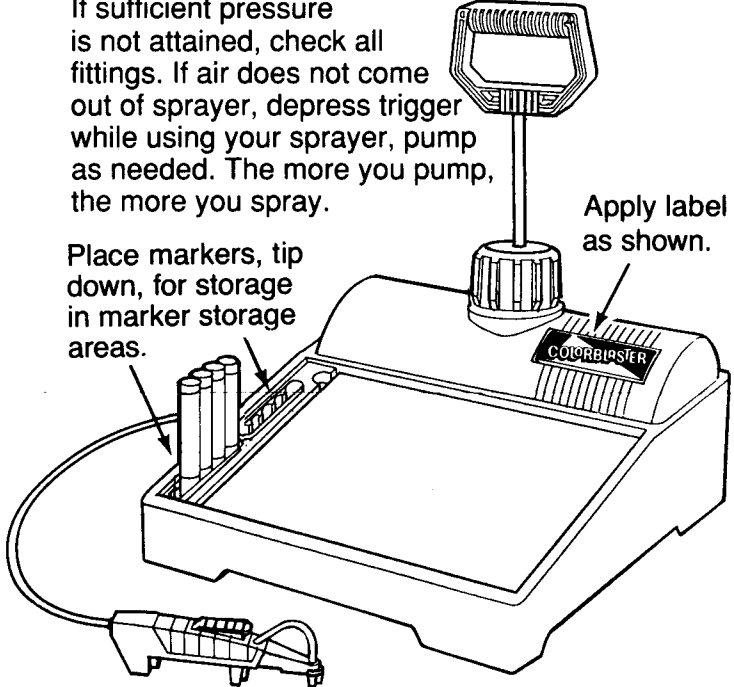
Turn unit upside down. Screw hose on tightly to air storage tank.



4

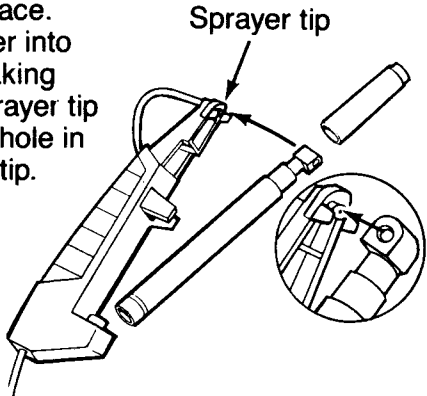
Now you are ready to start. Fully extend handle and pump it quickly 50 strokes. If sufficient pressure is not attained, check all fittings. If air does not come out of sprayer, depress trigger while using your sprayer, pump as needed. The more you pump, the more you spray.

Place markers, tip down, for storage in marker storage areas.



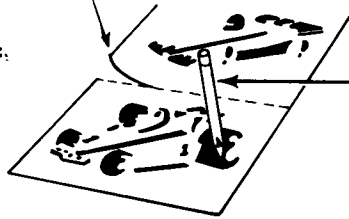
5

Hold sprayer by its sides, pointing away from face. Snap marker into sprayer, making sure the sprayer tip fits into the hole in the marker tip.



6

Carefully separate stencil sheets.



Punch out shapes in stencils with a pencil.

8

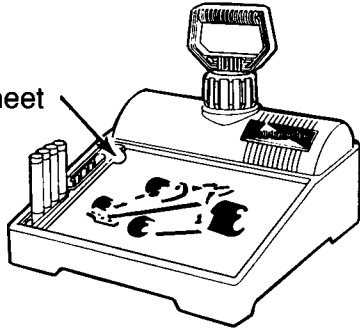
Hold sprayer away from stencil 3 to 4 inches to create airbrush effect. Concentrate spray into only the cut out area of the stencil. When spray becomes lighter, pump tank 40-50 more strokes. Keep caps on pens when they are not in use.

7

Lay the stencil over a sheet of paper, in the tray with the cut out corner over the finger hole.

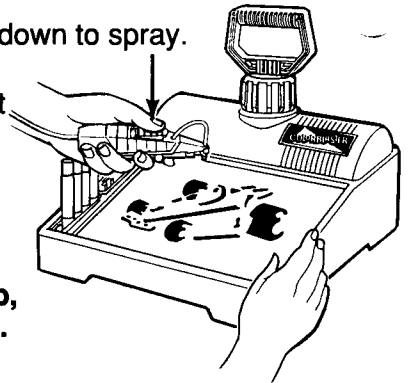
NOTE:

Super graphics stencils do not have notches.

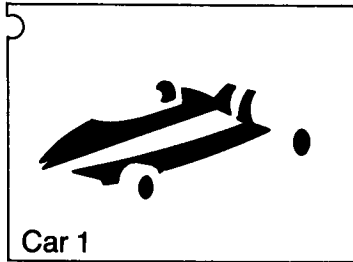


Press purple trigger down to spray.

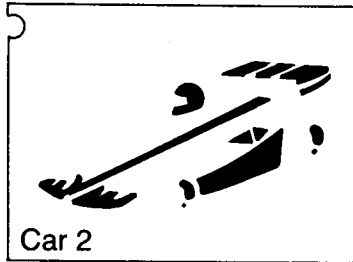
NOTE: If pen doesn't work, rotate pen 1/2 turn to other side. If ink becomes lighter, check to make sure tank is pumped fully. **The more you pump, the more you spray.**



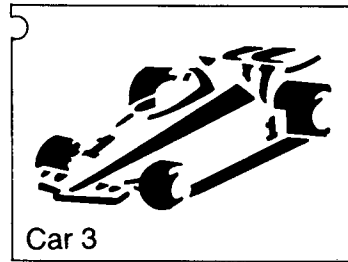
Now you are ready to create the car and flamingo designs... choose a stencil and...



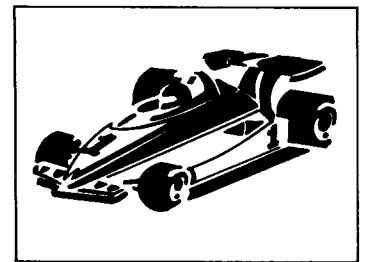
Car 1



Car 2



Car 3

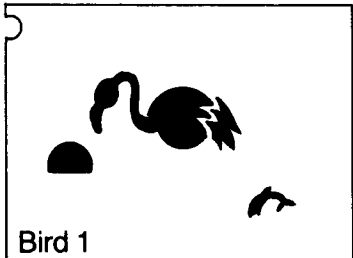


Spray the lightest color on number 1. Remove stencil.

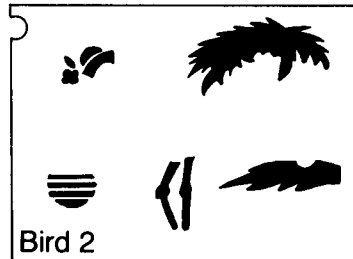
If necessary, now pump again. Spray a darker color on number 2. Remove stencil.

If necessary, pump again. Spray the darkest color on number 3. Remove stencil...

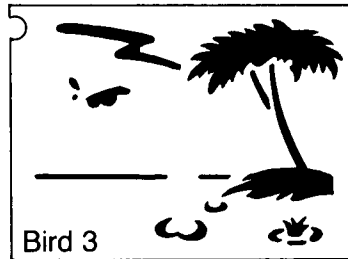
and see finished design.



Bird 1



Bird 2



Bird 3

Or make a design of your own using the super graphic stencils!

TROUBLE SHOOTING TIPS

PROBLEM

- Tank will not pressurize.
- A hissing sound is heard.
- Air does not come out of sprayer.
- Pen stops working, but air still comes out of sprayer.
- Pens foaming.
- Ink becomes light or begins to fade.

SOLUTION

- Check to be sure the cap is on tight, with "O" Ring in place and hose connected to sprayer.
- Check for air leaks and tighten all connections.
- Depress trigger while pumping until air flows. Pump tank 50 strokes and try again.
- Rotate pen 1/2 turn to other side. Pump again and retry pen. If pen is dried up, replace pen. Keep cap on pen when not in use. Let pen sit overnight and try it again making sure pen is properly aligned and tank is pumped fully, before discarding pen.
- Make sure pen is properly aligned to sprayer.
- Check to make sure tank is pumped fully; if not, pump 40 more strokes. Make sure pen is properly aligned.

WASHING INSTRUCTIONS

DO NOT USE HOT WATER OR CLEANING SOLUTIONS to clean COLORBLASTER ink from carpets or fabrics. For best results, blot excess, scrub carpet with stiff brush, mild detergent and COLD water. Repeat, if necessary. Machine or hand wash fabrics in detergent and COLD water. Line dry. Repeat, if necessary.

Kenner

©Kenner 1991