

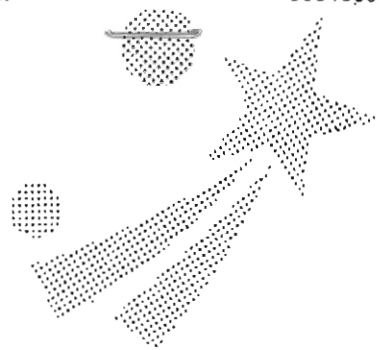
COLORBLASTER™

Drawing System

BIGBLAST

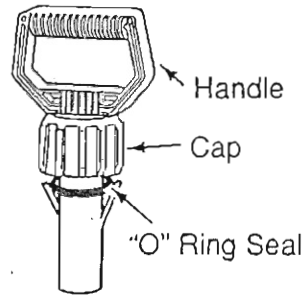
*No over
wear
surface*

*Interchangeable
w/ Colorblaster
needs new spray
+ paint*



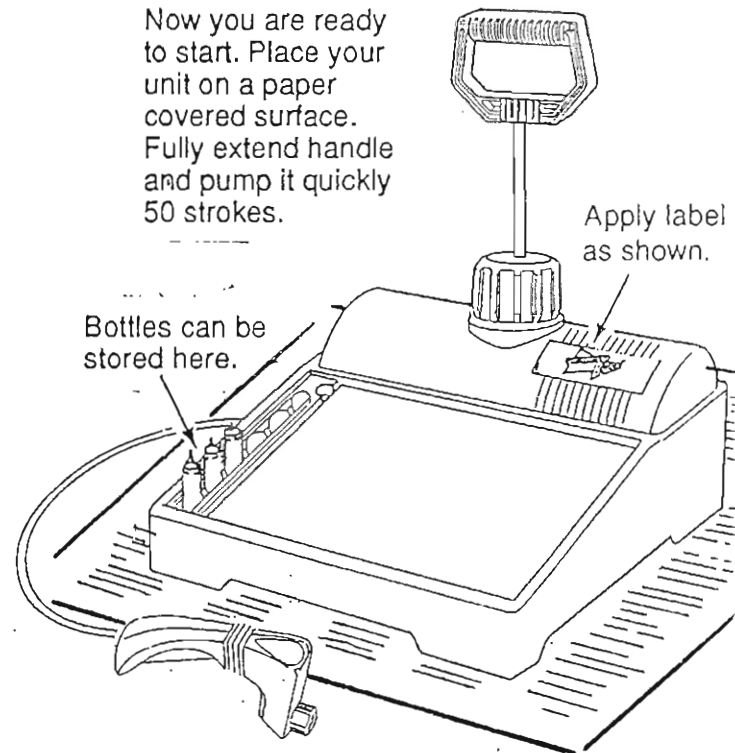
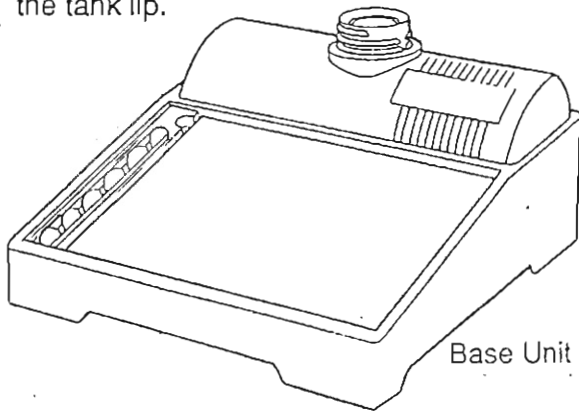
ONE-TIME ASSEMBLY
Once assembled,
cannot be taken apart.

To assemble, insert pump all the way into base. The safety tabs will "click" under the tank lip.



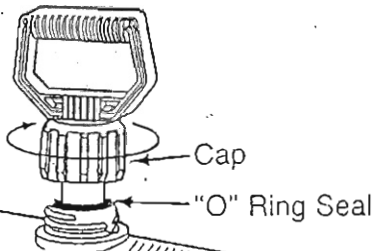
4

Now you are ready to start. Place your unit on a paper covered surface. Fully extend handle and pump it quickly 50 strokes.



2

Make sure that the "O" Ring Seal is sitting properly and level on the inside rim of the airtank.



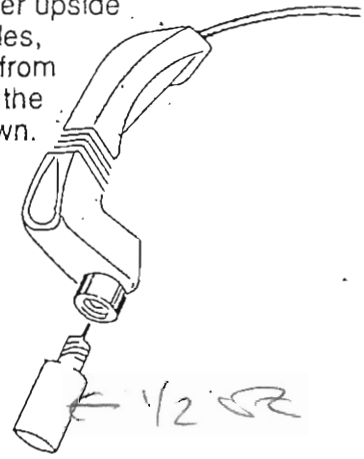
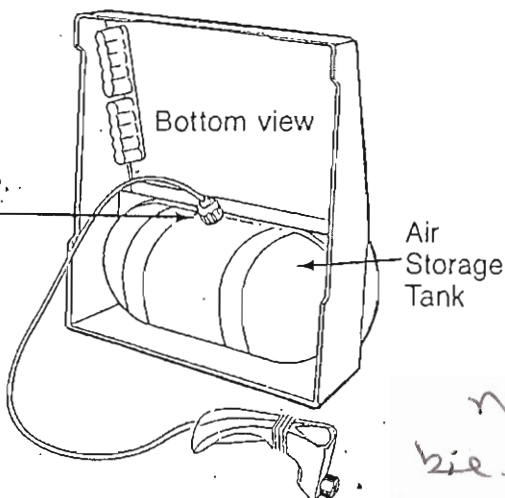
Screw cap on tightly to seal.

5

Hold the sprayer upside down by its sides, pointing away from face. Screw in the bottles as shown.

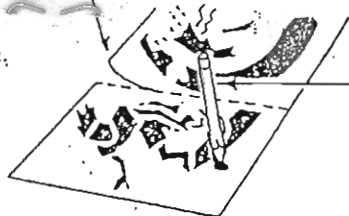
3

Turn unit on its side. Screw hose on tightly to air storage tank.



*50548200
Sub Assy
NAPA can
be replaced if
clogged w/ paint*

Carefully separate stencil sheets.



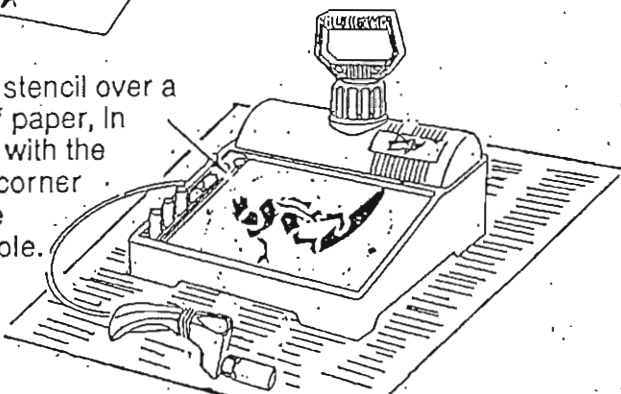
Punch out shapes in stencils with a pencil.



Hold sprayer away from stencil 4-6 inches to create airbrush effect. Concentrate spray into only the cut out area of the stencil. When spray "starts to spatter" pump tank 40-50 more strokes. Keep caps on bottles when they are not in use.

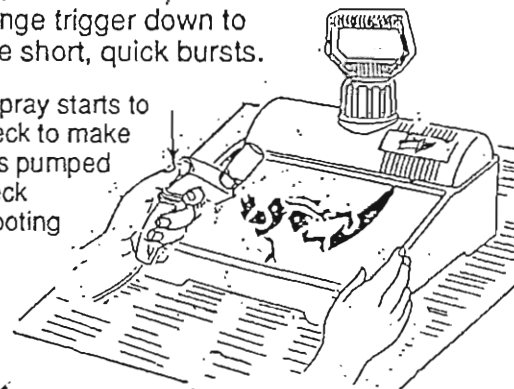


Lay the stencil over a sheet of paper, in the tray with the cut out corner over the finger hole.



Press orange trigger down to spray. Use short, quick bursts.

NOTE: If spray starts to spatter check to make sure tank is pumped fully or check trouble shooting tips below.

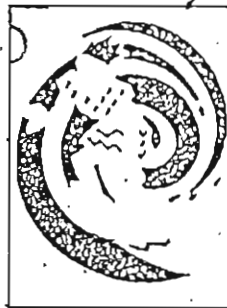


2 STENCIL DESIGNS

Now you are ready to create the surfer design... select the stencil...



Spray the lightest color on number 1. Remove stencil.



If necessary, now pump again. Spray a darker color on number 2. Remove stencil...



and see finished design.

1 STENCIL DESIGNS

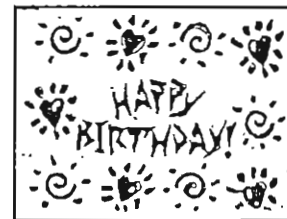
When you select a single element stencil, you can combine different parts of the stencil to make your own unique design. Place the stencil over a sheet of paper.



Select and spray stencil. Remove and wipe stencil. Let the design dry.



Select another part of the same stencil and spray. Remove and wipe stencil. Let the design dry.



See the finished design. Let the design dry. You can repeat the preceding steps for more elaborate designs.

TROUBLE SHOOTING TIPS

PROBLEM

Tank will not pressurize.

A hissing sound is heard.

Air does not come out of sprayer.

Spray starts to spatter.

Paint will not spray.

SOLUTION

Check to be sure the cap is on tight, with 'O' Ring in place and hose connected to sprayer.

Check for air leaks and tighten all connections.

Depress trigger while pumping until air flows. Pump tank 50 strokes and try again.

Check to make sure tank is pumped fully; if not, pump 40 more strokes.

Depress trigger until paint sprays. **NOTE:** there is always a delay of a few seconds until the paint will start to come out.

WASHING INSTRUCTIONS

DO NOT USE HOT WATER OR CLEANING SOLUTIONS to clean COLORBLASTER™ colors from carpets or fabrics. For best results, blot excess, scrub carpet with stiff brush, mild detergent and COLD water. Repeat, if necessary. Machine or hand wash fabrics in detergent and COLD water. Line dry. Repeat, if necessary.

Kenner

©Kenner 1993