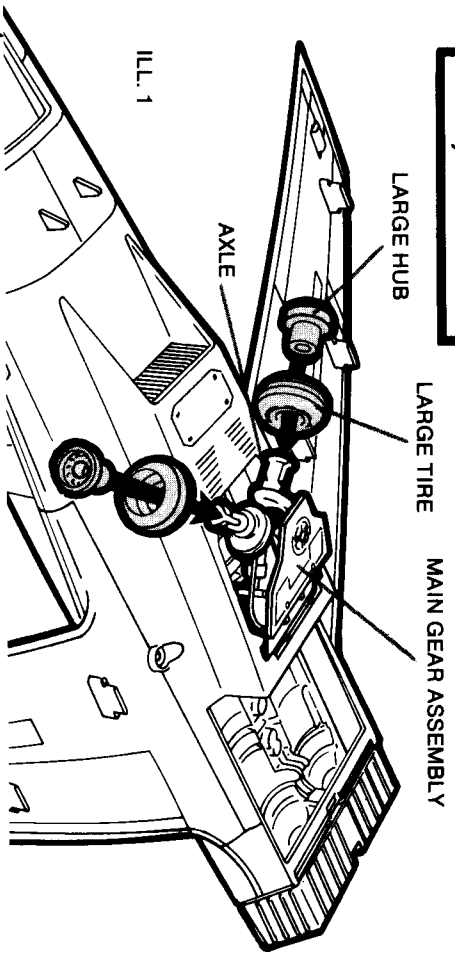


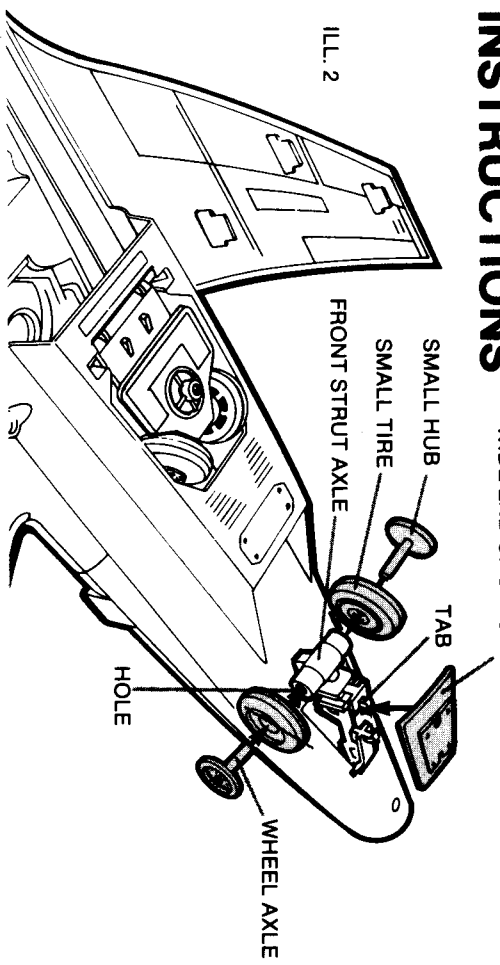
Remove all pieces from plastic frames. If you have difficulty, use safety scissors.

CONQUEST X-30 INSTRUCTIONS

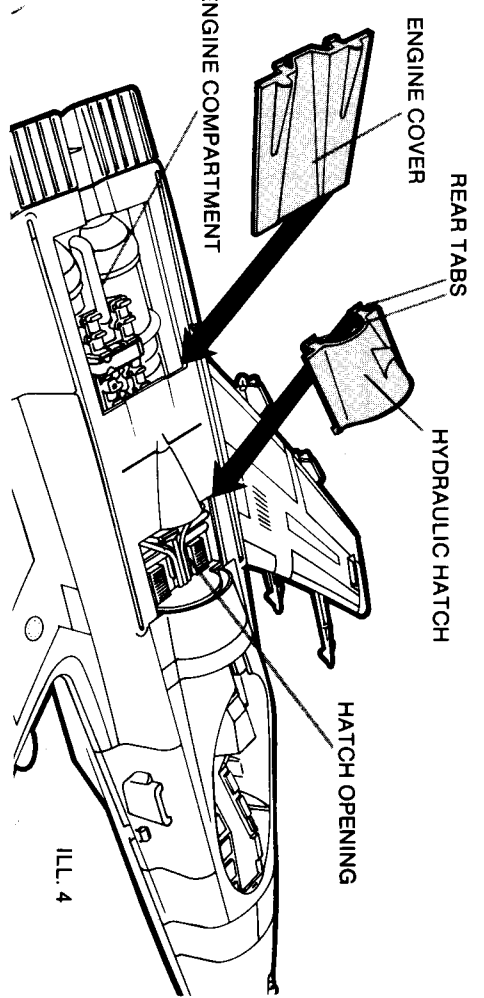
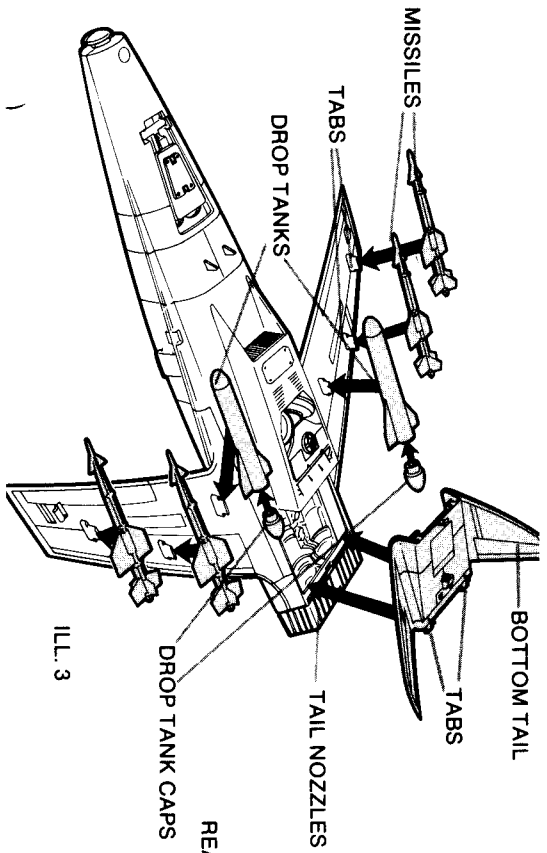
WIDE END OF STRUT PANEL



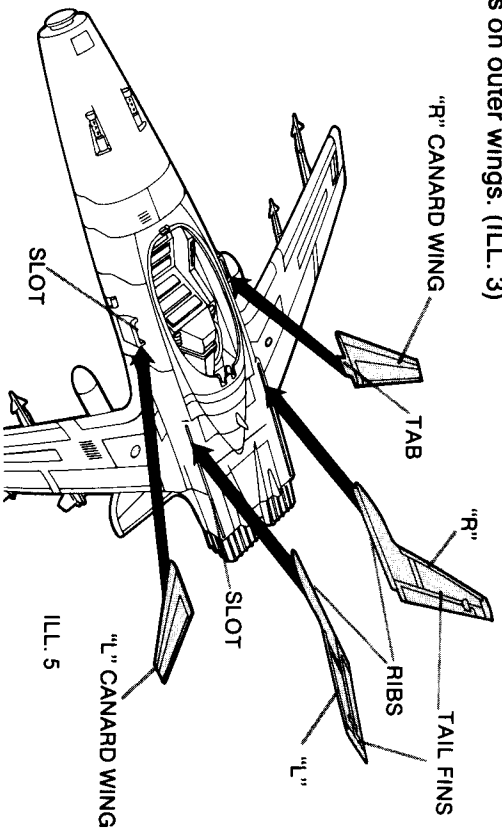
1 Insert large hubs into large tires. Turn jet upside down and lift main gear assembly. Snap hubs over axles on main gear assembly. (ILL. 1)



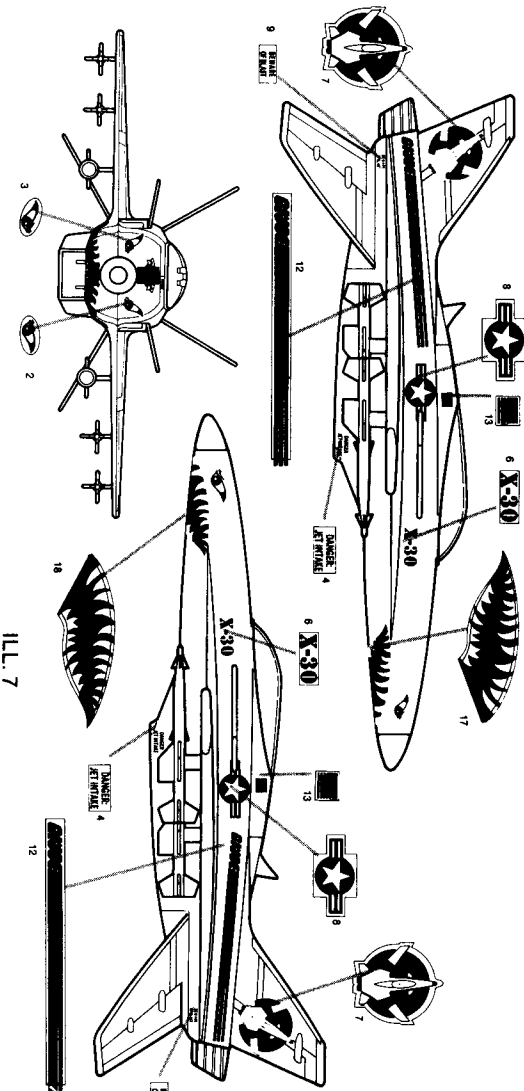
2 Insert small hubs into small tires. Lift front strut. Push hubs into holes in strut axle. With wide end nearest wheels, snap hubs in strut panel over tabs on strut. Push front and rear landing gear down. (ILL. 2)



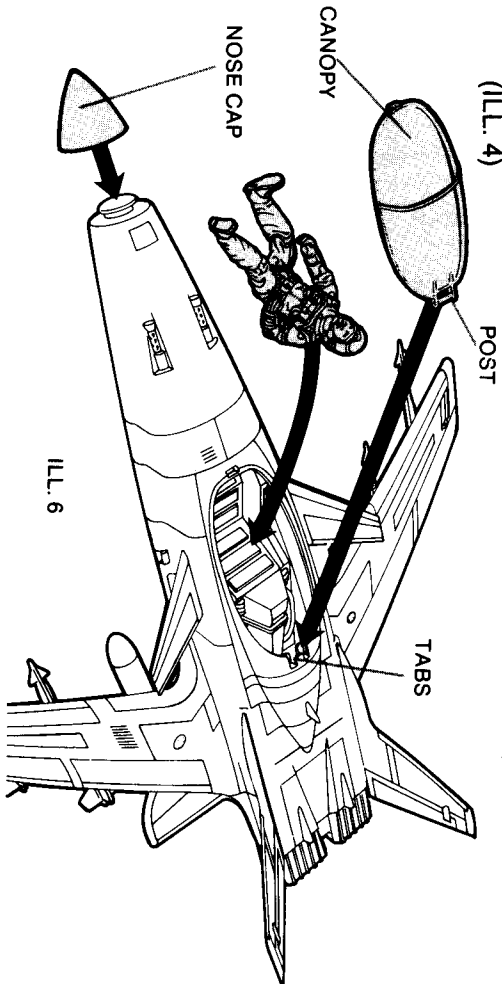
- 3 Insert 2 rear tabs on bottom tail under tail nozzles. Snap 2 front tabs into place. Fit drop tank caps onto drop tanks. Fit slots in two drop tanks over tabs closest to fuselage. Fit slots in 4 missiles over tabs on outer wings. (ILL. 3)



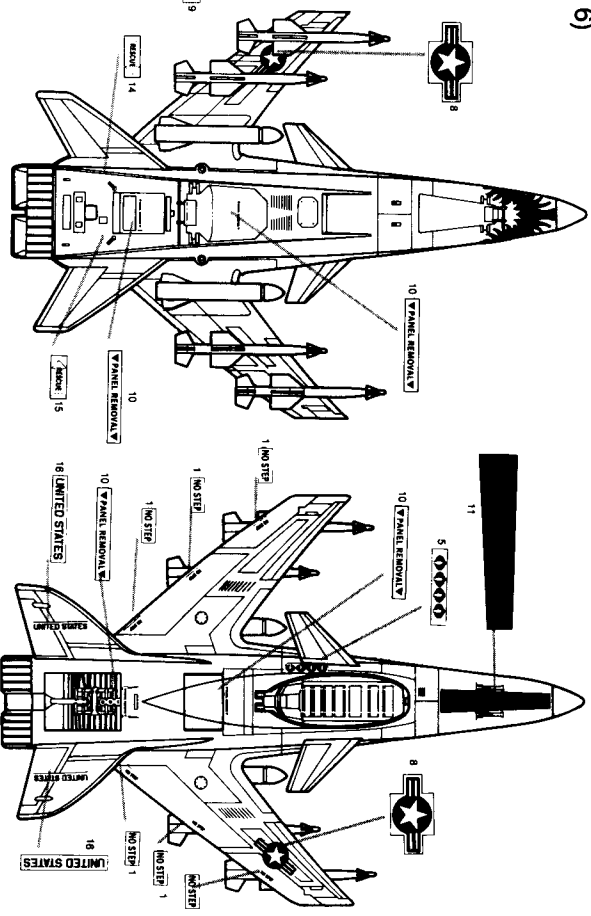
- 5 Insert tabs on left and right canard wings (marked "L" and "R") into slots on sides of fuselage. Press ribs on left and right tail fins (marked "L" and "R") into slots in rear of jet. (ILL. 5)



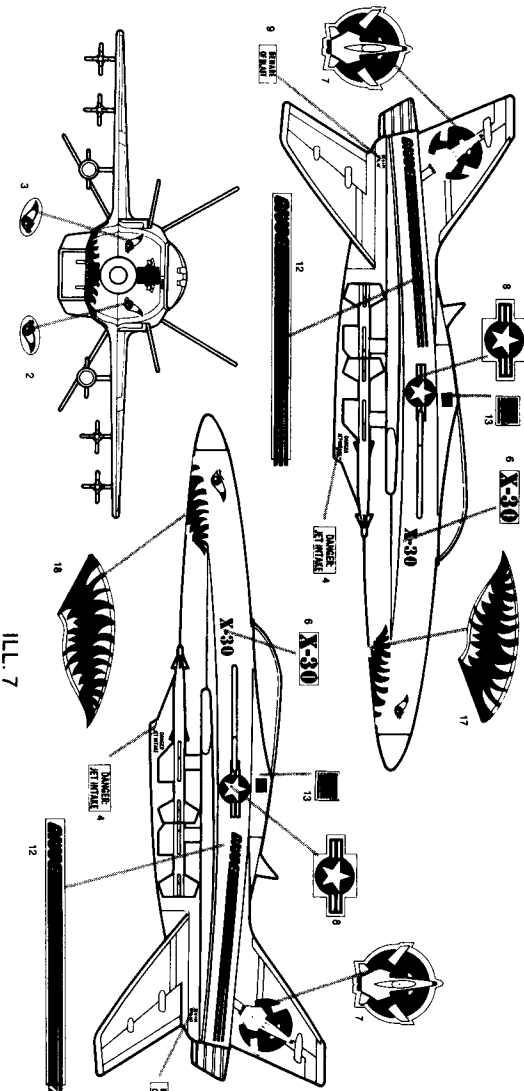
- 4 Turn jet over. Insert 2 front tabs on engine cover into engine compartment. Push 2 rear tabs into place. Insert 2 rear tabs on hydraulic hatch into hatch opening. Push front tab into place. (ILL. 4)



- 6 Snap post on canopy between tabs in back of cockpit. Snap nose cap over nose of jet. Place expert flyer SLIP STREAM in cockpit and close canopy. (ILL. 6)



- 7 Peel and apply labels as shown. (ILL. 7)

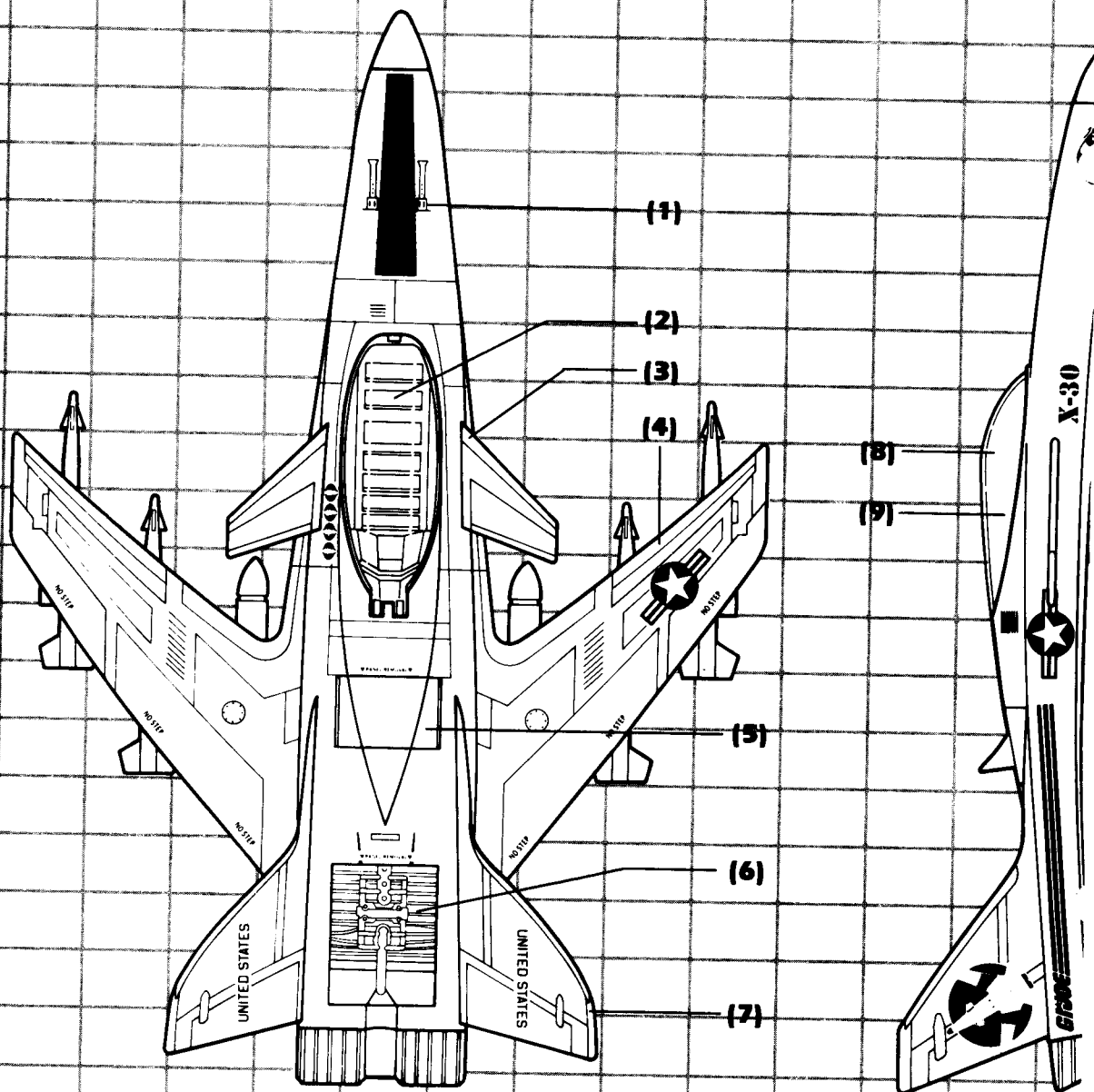


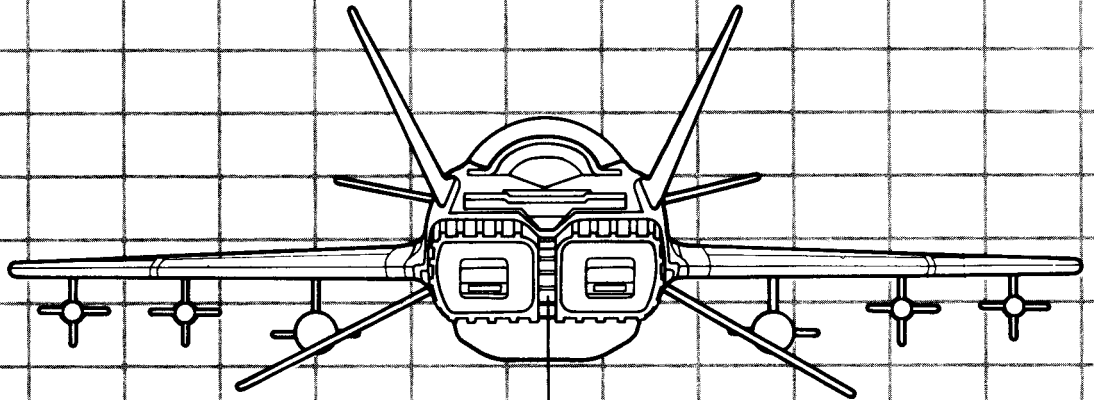
GI JOE[®]

A COBRA COMMAND WEAPON!

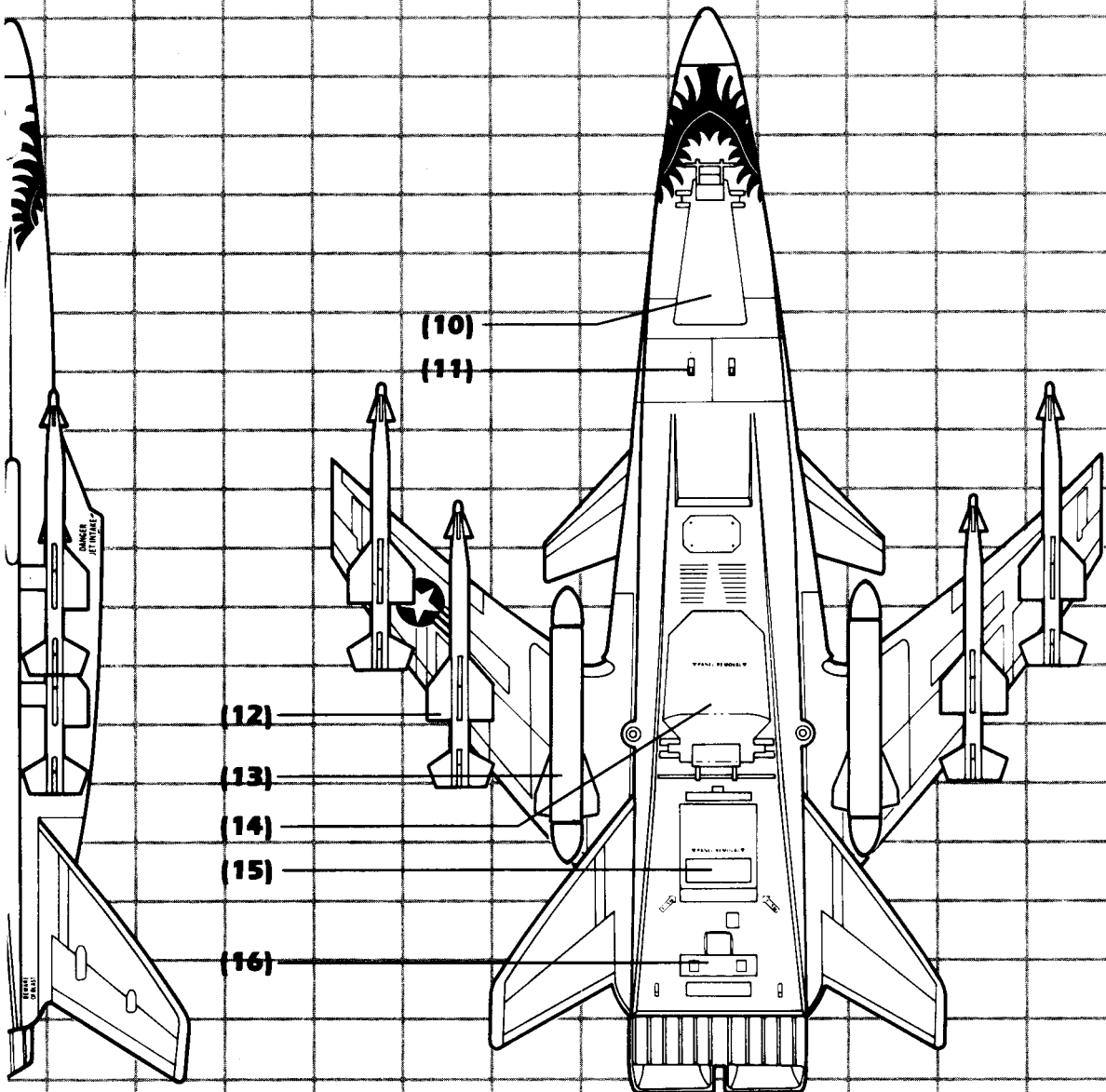
CONQUEST X-30

- 1) "DOUBLE BLAST" 25 MM. TWIN CANNONS
- 2) BIO-FORM "SLANTBACK" PILOT SEAT
- 3) HORIZONTAL STABILIZING FRONT CANARDS
- 4) LAYERED EPOXY/HONEYCOMB FORWARD-SWEPT WINGS
- 5) MICRO-ADJUST INERTIAL NAVIGATION COMPUTER
- 6) "LIFT-OFF" TWIN 26K LB. THRUST TURBOFAN ENGINES
- 7) VERTICAL STABILIZERS/RUDDERS
- 8) BLAST-PROOF TILT-BACK CANOPY
- 9) HUD (HEAD UP DISPLAY) LASER GUIDANCE SYSTEM
- 10) TITANIUM ALLOY FORWARD LANDING GEAR
- 11) "BOGEY" THREAT WARNING SENSORS
- 12) AIM-12 "LIGHT SPARROW" AIR-TO-AIR MISSILES
- 13) MK. 3 "PIKE" IRGB (DROP TANK)
- 14) TITANIUM ALLOY DUAL WHEEL LANDING GEAR
- 15) 11K CAPACITY INTERNAL FUEL TANK
- 16) ELECTRO-OPTIC SENSORS
- 17) JET EXHAUST DISCHARGE VENTILATORS





(17)



(10)

(11)

(12)

(13)

(14)

(15)

(16)